

GPS & GLONASS Internal Antenna

Product Number:ATIGG2540

1、SCOPE

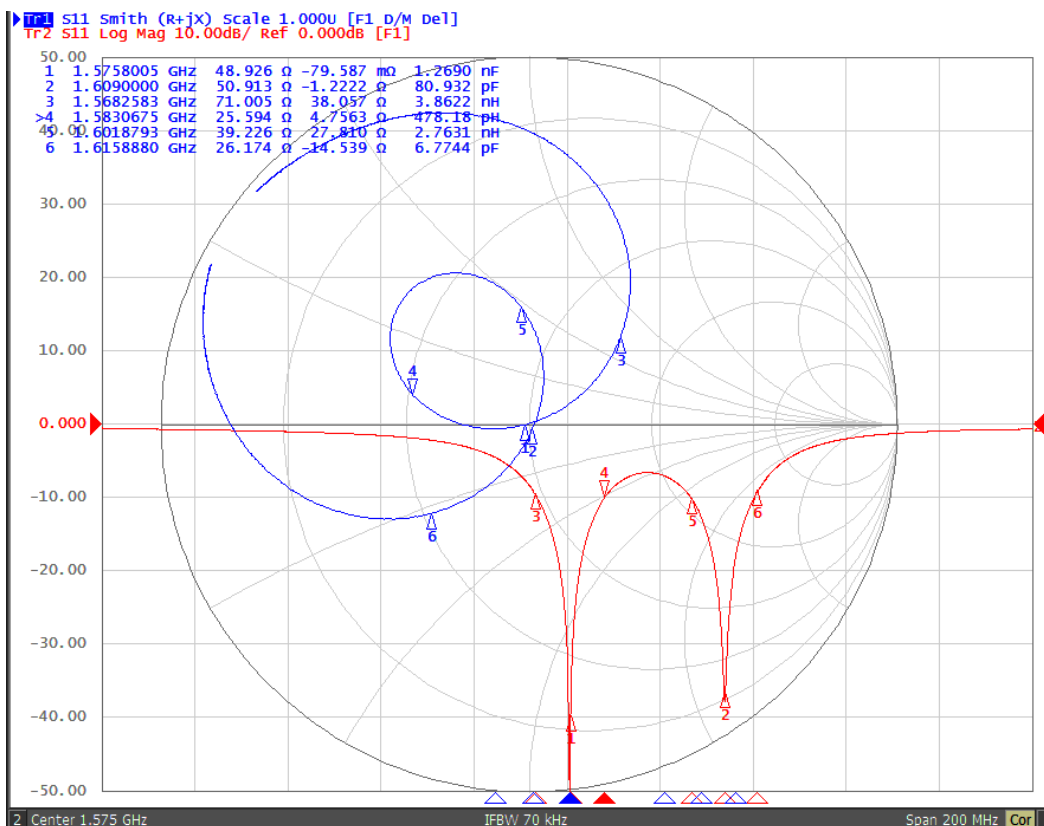
This product can be used as various GPS receivers navigation, GPS clock, positioning.

2、OVERALL PERFORMANCE(Antenna Element, LNA & Cable)

CHARACTERISTICS	SPEC
Center Frequency	GPS : 1575.42±1.023MHz GLONASS : 1602~1615.5±0.51 MHz (When the antenna are placed on the customer's device inside)
Voltage	DC 2.7 - 5V
Current	13 mA max
Gain	25dB typ
Noise Figure	2.0dB max
Bandwidth(10dB return loss)	10 MHz min
Output VSWR	2.0 max
Output Impedance	50ohm
Dimensions	25mm(L)×25mm(W)×6.8 mm(H) typ
Weight	9±2g(typ)
Cable	60±2mm (Φ=1.13mm)
Connector	IPEX (Pull=0.4Kg)

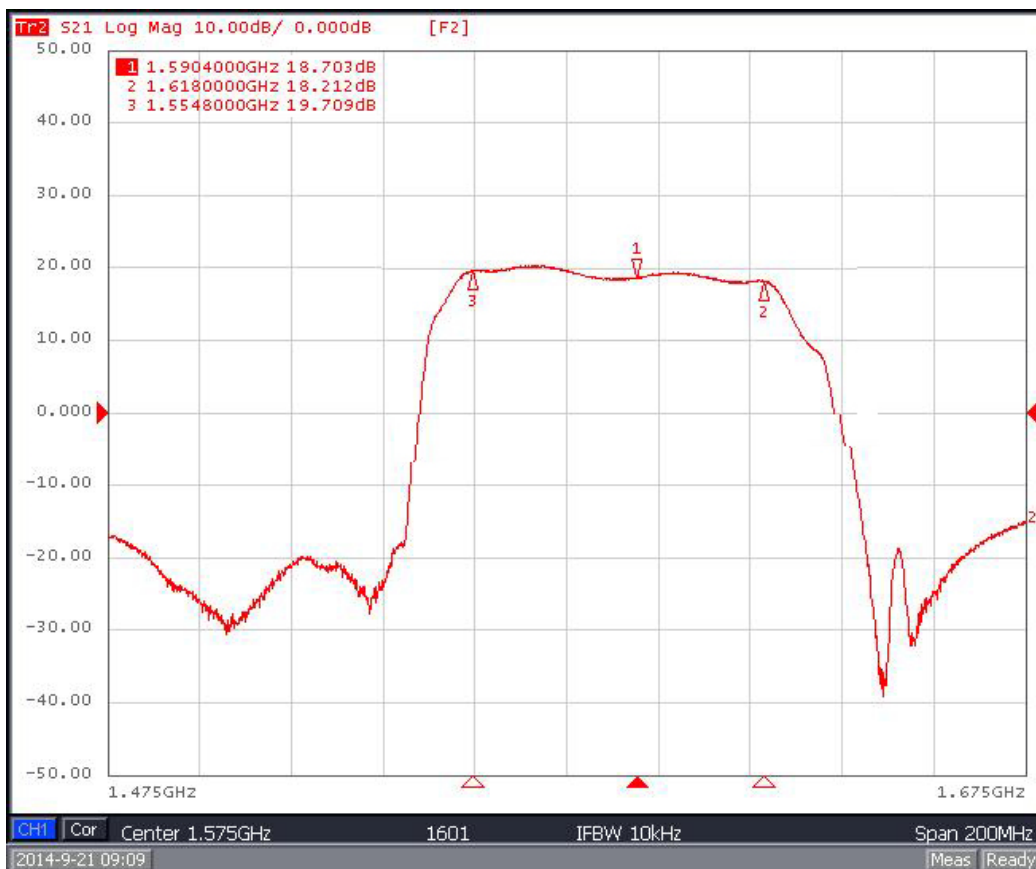
3 · Patch antenna

CHARACTERISTICS	SPEC
Dimensions	25mm(L)×25mm(W)×4mm(H) typ
Center Frequency	GPS: 1575.42±1.023MHz GLONASS: 1602~1615.5±0.51 MHz (27mm(L)×27mm(W) Ground)
Bandwidth(10dB return loss)	10 MHz min
Peak Gain	2.0 dB typ
Output V.S.W.R	2.0dB max
Output Impedance	50ohm
Polarization	R.H.C.P

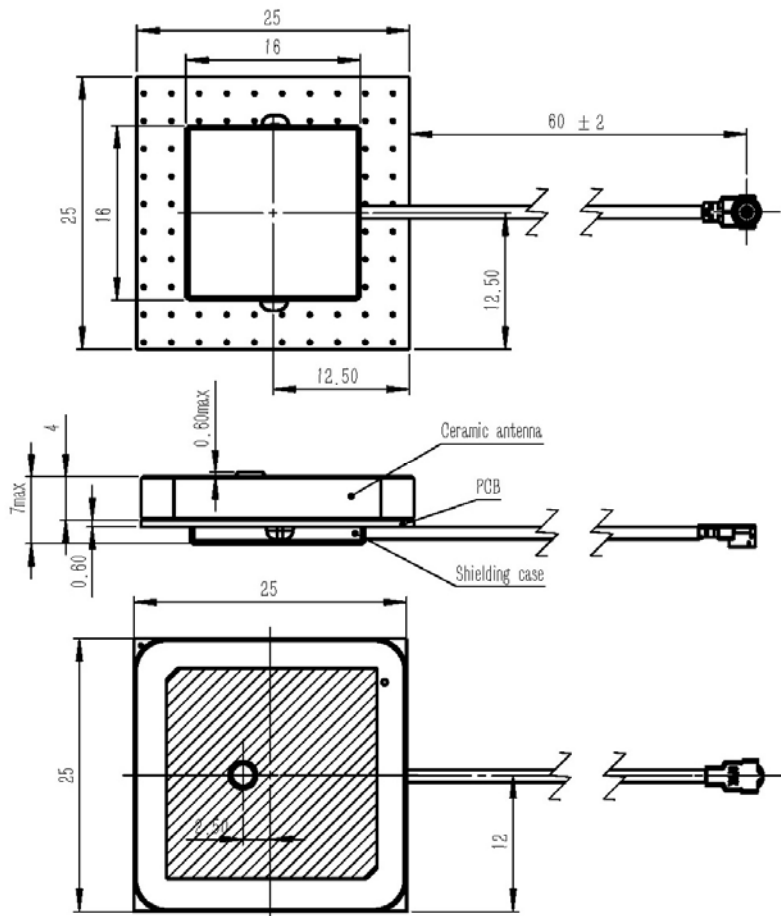


4 · LNA/Filter

CHARACTERISTICS	SPEC
Voltage	DC 2.7 - 5V
Current	13 mA max
Center Frequency	GPS : 1575.42±1.023MHz GLONASS : 1602~1615.5±0.51 MHz
Gain	25 ±2dB typ
Noise Figure	1.5dB max
Filter(Out of band attenuation)	SAW filter 30dB min fo±60MHz (fo=1590MHz)
Output V.S.W.R	2.0 max



5 · ANTENNA DIMENSIONS



Unit : mm

6 · OPERATING CONDITION

Temperature	-40°C to +85°C
Humidity	10% to 95% RH

7 · STORAGE CONDITION

Temperature	-40°C to +85°C
Humidity	10% to 95% RH

8 、 Note

8.1 、 This product specification guarantees the quality of our product as a single unit. Please make sure that your product is evaluated and confirmed against your specifications when our product is mounted to your product.

8.2 、 We cannot warrant against failure caused by any use of our product that deviates from the intended use as described in this product specification.

8.3 、 The product will get free warranty for one year since the date of purchase users operate in the correct way; users will have to pay cost of the materials and maintaining fee out of the condition.