



- 1
- 2
- 3
- 4
- 5
- 6
- 7
- 8
- 9
- 10
- 11
- 12
- 13
- 14
- 15
- 16
- 17
- 18

**CASE**

Glass-fibre reinforced polyamide based (PA) technopolymer, black colour, matte finish.  
Moulded-in spindle.

**BEZEL**

Technopolymer. Moulded over the window.

**WINDOW**

Transparent polyamide based (PA-T) technopolymer (practically unbreakable).

Resistant to solvents, oils, greases and other chemical agents (avoid contact with alcohol during cleaning operations).

**DIAL**

Natural matte anodised aluminium.  
Clockwise or anti-clockwise graduation, black colour.

**READING**

The black pointer indicates the number of turns of the spindle from the start position (0); the red pointer indicates the fractions of turn.  
Ballrace rotation: maximum reading accuracy.

**RATIO**

To choose the ratio see "Gravity position indicators introduction" (on page 460).

**IP PROTECTION**

The ultrasonic welding of the window to the case guarantees the complete sealing with IP 67 protection class, see table EN 60529 (on page A-19).

**FEATURES AND APPLICATIONS**

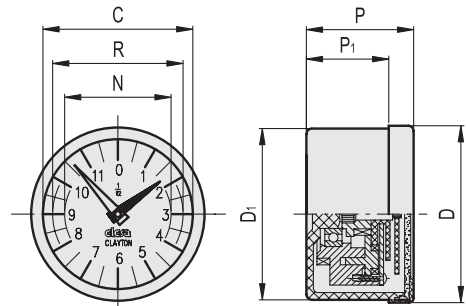
The knobs with integral gravity position indicator are suitable on spindles with horizontal or max 60° inclined axis.  
To choose the handwheel see the table "Handwheels/knobs - possible assembly with indicators" (on page 461).

**SPECIAL EXECUTIONS ON REQUEST**

- Special dial with logo or customised graduations
- Special ratios
- Filling with paraffin oil, maximum continuous working temperature 40°C.
- Single pointer



ELESA Original design



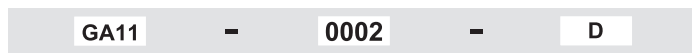
**METRIC**

Series	D	P	D1	P1	C	R	N	
GA11	49.8	30	48.2	23	42	37	30	75
GA12	68.5	32	67.0	25	60	51	44	125

**Conversion Table**  
1 mm = 0.039 inch

D	
mm	inch
49.8	1.96
68.5	2.70

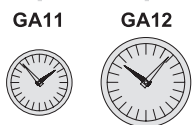
Example of description for ordering



Series

Ratio

Graduation



Ratio	Description	Ratio	Description	Ratio	Description	Ratio	Description
2	0002	12	0012	36	0036	100	0100
4	0004	15	0015	40	0040	120	0120
5	0005	16	0016	48	0048	150 *	0150
6	0006	20	0020	50	0050	200 *	0200
8	0008	24	0024	60	0060		
10	0010	30	0030	72	0072		

\* Available only for GA12

