


Number of contacts

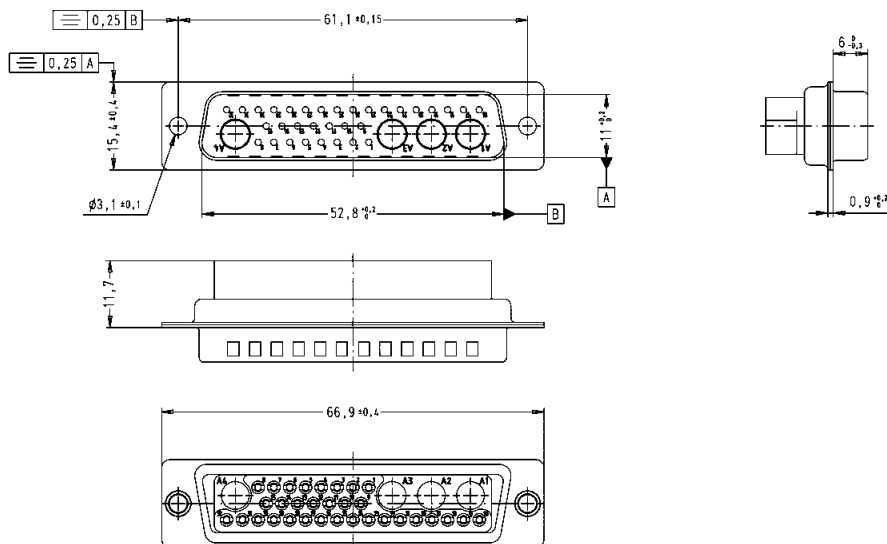
# 36



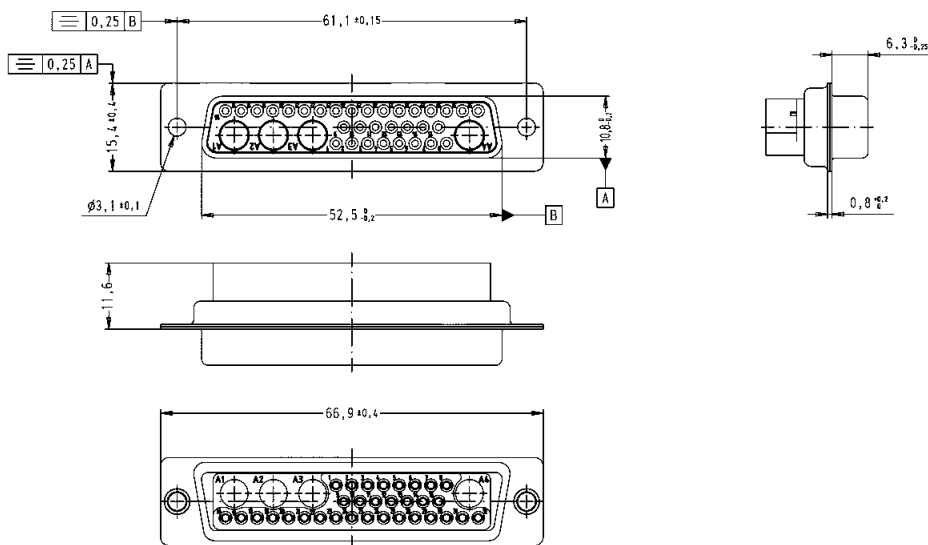
Mixed shells for signal crimp contacts

Identification	No. of contacts <sup>1)</sup>	Part number	
		male connector	female connector
	36W4	09 69 512 0364	09 69 502 0364

### Male connectors



### Female connectors



Dimensions in mm

<sup>1)</sup> Explanations see page 05.51  
 Board drillings see pages 05.78 ff  
 Order special contacts separately. See pages 05.69 ff