

**SPECIFICATION  
FOR  
LCD Module**

**Customer P/N:**

**Santek P/N: ST0700I10-RSLW-F**

**DOC. Revision: RS01**

**Customer Approval:**

--

	<b>SIGNATURE</b>	<b>DATE</b>
<b>PREPARED BY</b>	Vivian Huang	2017-12-05
<b>CHECKED BY</b>	Tom Liao	2017-12-05
<b>APPROVED BY</b>	Natty Lee	2017-12-05

## Document Revision History

Version	Revise Date	Description	Changed by
RS01	2017.12.05	First issue	Vivian Huang

*Santek / CONFIDENTIAL*

---

Table of Contents

1. Purpose..... 4  
    1.1. General Specifications..... 4  
2. Pin Assignment ..... 5  
3. Operation Specifications ..... 8  
    3.1. Absolute Maximum Ratings ..... 8  
        3.1.1. Typical Operation Conditions ..... 9  
        3.1.2. Current Consumption ..... 10  
        3.1.3. Backlight Driving Conditions ..... 10  
    3.2. Power Sequence ..... 12  
    3.3. Timing Characteristics ..... 14  
        3.3.1. AC Electrical Characteristics..... 14  
        3.3.2. Input Clock and Data Timing Diagram..... 14  
        3.3.3. Timing..... 15  
        3.3.4. Data Input Format..... 16  
4. Optical Specifications ..... 17  
5. Reliability Test Items..... 21  
6. General Precautions ..... 22  
    6.1. Safety ..... 22  
    6.2. Handling ..... 22  
    6.3. Static Electricity..... 22  
    6.4. Storage ..... 22  
    6.5. Cleaning ..... 22  
7. Mechanical Drawing..... 23  
8. Package Drawing ..... 24  
    8.1. Packaging Material Table..... 24  
    8.2. Packaging Quantity..... 24  
    8.3. Packaging Drawing..... 25

# 1. Purpose

The specification ST0700I10-RSLW-F is a 7" (800\*480) TFT Liquid Crystal Display module with LED backlight unit , 50 pin TTL interface, normally white transmissive display mode. This module will be applied to consumer electronics.

## 1.1. General Specifications

No.	Item	Specification	Remark
1	LCD size	7.0 inch(Diagonal)	
2	Driver element	a-Si TFT active matrix	
3	Resolution	800 × 3(RGB) × 480	
4	Display mode	Normally white, transmissive	
5	Dot pitch	0.0642(W) × 0.1790(H) mm	
6	Active area	154.08(W) × 85.92(H) mm	
7	Module size	164.9(W) × 100.0(H) × 5.7(D) mm	Note 1
8	Surface treatment	Anti-Glare	
9	Color arrangement	RGB-stripe	
10	Interface	Digital	
11	Backlight power consumption	1.674W (Typ.)	
12	Panel power consumption	0.226W (Typ.)	
13	Weight	154g (Typ.)	
14	IC	NT39419&NT52001	
15	Inversion	1+2dot	

Note 1: Refer to mechanical drawing.

## 2. Pin Assignment

FPC Connector is used for the module electronics interface. The recommended model is FH12A-50S-0.5SH manufactured by Hirose.

Pin No.	Symbol	I/O	Function	Remark
1	V <sub>LED+</sub>	P	Power for LED backlight (Anode)	
2	V <sub>LED+</sub>	P	Power for LED backlight (Anode)	
3	V <sub>LED-</sub>	P	Power for LED backlight (Cathode)	
4	V <sub>LED-</sub>	P	Power for LED backlight (Cathode)	
5	GND	P	Power ground	
6	V <sub>COM</sub>	I	Common voltage	
7	DV <sub>DD</sub>	P	Power for digital circuit	
8	MODE	I	DE/SYNC mode select	Note 1
9	DE	I	Data input enable	
10	VS	I	Vertical sync input	
11	HS	I	Horizontal sync input	
12	B7	I	Blue data(MSB)	
13	B6	I	Blue data	
14	B5	I	Blue data	
15	B4	I	Blue data	
16	B3	I	Blue data	
17	B2	I	Blue data	
18	B1	I	Blue data	Note 2
19	B0	I	Blue data(LSB)	Note 2
20	G7	I	Green data(MSB)	
21	G6	I	Green data	
22	G5	I	Green data	
23	G4	I	Green data	
24	G3	I	Green data	
25	G2	I	Green data	
26	G1	I	Green data	Note 2

27	G0	I	Green data(LSB)	Note 2
28	R7	I	Red data(MSB)	
29	R6	I	Red data	
30	R5	I	Red data	
31	R4	I	Red data	
32	R3	I	Red data	
33	R2	I	Red data	
34	R1	I	Red data	Note 2
35	R0	I	Red data(LSB)	Note 2
36	GND	P	Power ground	
37	DCLK	I	Sample clock	Note 3
38	GND	P	Power ground	
39	L/R	I	Left / right selection	Note 4,5
40	U/D	I	Up/down selection	Note 4,5
41	V <sub>GH</sub>	P	Gate ON Voltage	
42	V <sub>GL</sub>	P	Gate OFF Voltage	
43	AV <sub>DD</sub>	P	Power for analog circuit	
44	RESET	I	Global reset pin.	Note 6
45	NC	-	No connection	
46	V <sub>COM</sub>	I	Common voltage	
47	DITHB	I	Dithering function	Note 7
48	GND	P	Power ground	
49	NC	-	No connection	
50	NC	-	No connection	

I: Input, O: Output, P: Power

Note 1: DE/SYNC mode select. Normally pull high.

When select DE mode, MODE="1", VS and HS must pull high.

When select SYNC mode, MODE="0", DE must be grounded.

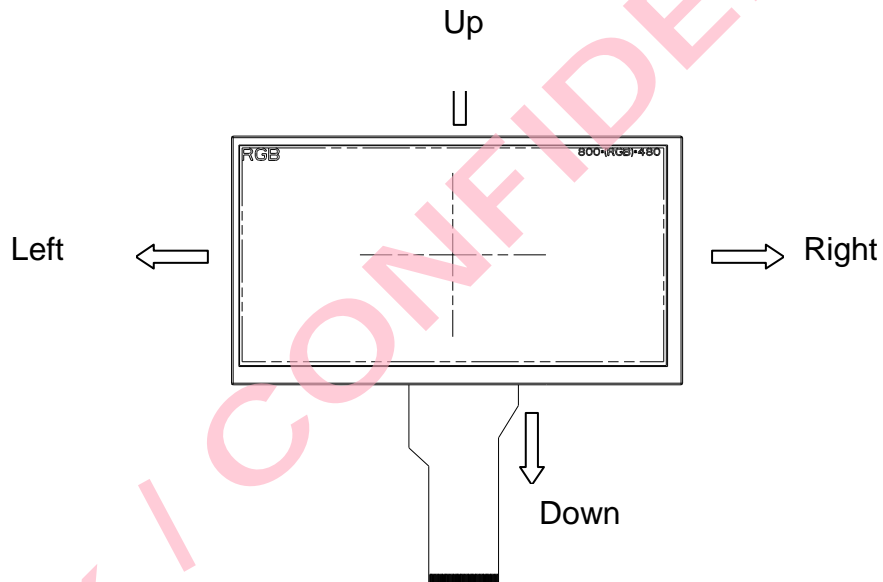
Note 2: When input 18 bits RGB data, the two low bits of R,G and B data must be grounded.

Note 3: Data shall be latched at the falling edge of DCLK.

Note 4: Selection of scanning mode

Setting of scan control input		Scanning direction
U/D	L/R	
GND	DV <sub>DD</sub>	Up to down, left to right
DV <sub>DD</sub>	GND	Down to up, right to left
GND	GND	Up to down, right to left
DV <sub>DD</sub>	DV <sub>DD</sub>	Down to up, left to right

Note 5: Definition of scanning direction.  
Refer to the figure as below:



Note 6: Global reset pin. Active low to enter reset state. Suggest to connect with an RC reset circuit for stability. Normally pull high.

Note 7: Dithering function enable control, normally pull high.  
When DITHB="1", Disable internal dithering function,  
When DITHB="0", Enable internal dithering function,

### 3. Operation Specifications

#### 3.1. Absolute Maximum Ratings

(Note 1)

Item	Symbol	Values		Unit	Remark
		Min.	Max.		
Power Voltage	$DV_{DD}$	-0.3	5.0	V	
	$AV_{DD}$	6.5	13.5	V	
	$V_{GH}$	-0.3	40.0	V	
	$V_{GL}$	-20.0	0.3	V	
	$V_{GH}-V_{GL}$	-	40.0	V	
Operation Temperature	$T_{OP}$	-30	85	°C	
Storage Temperature	$T_{ST}$	-30	85	°C	
LED Reverse Voltage	$V_R$	-	1.2	V	Each LED Note 2
LED Forward Current	$I_F$	-	25	mA	Each LED

Note 1: The absolute maximum rating values of this product are not allowed to be exceeded at any times. Should a module be used with any of the absolute maximum ratings exceeded, the characteristics of the module may not be recovered, or in an extreme case, the module may be permanently destroyed.

Note 2:  $V_R$  Conditions: Zener Diode 20mA



3.1.1. Typical Operation Conditions

( Note 1)

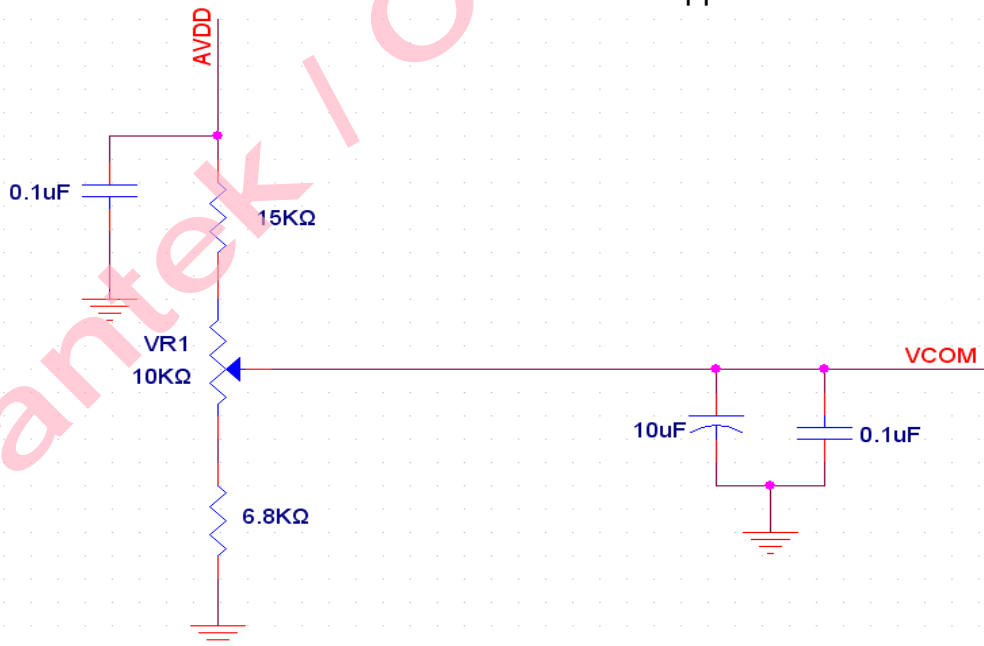
Item	Symbol	Values			Unit	Remark
		Min.	Typ.	Max.		
Power voltage	DV <sub>DD</sub>	3.0	3.3	3.6	V	Note 2
	AV <sub>DD</sub>	10.2	10.4	10.6	V	
	V <sub>GH</sub>	15.3	16.0	16.7	V	
	V <sub>GL</sub>	-7.7	-7.0	-6.3	V	
Input signal voltage	V <sub>COM</sub>	2.6	(3.6)	4.6	V	Note 4
Input logic high voltage	V <sub>IH</sub>	0.7 DV <sub>DD</sub>	-	DV <sub>DD</sub>	V	Note 3
Input logic low voltage	V <sub>IL</sub>	0	-	0.3 DV <sub>DD</sub>	V	

Note 1: Be sure to apply DV<sub>DD</sub> and V<sub>GL</sub> to the LCD first, and then apply V<sub>GH</sub>.

Note 2: DV<sub>DD</sub> setting should match the signals output voltage (refer to Note 3) of customer's system board.

Note 3: DCLK,HS,VS,RESET,U/D, L/R,DE,R0~R7,G0~G7,B0~B7,MODE,DITHB.

Note 4: Typical V<sub>COM</sub> is only a reference value. It must be optimized according to each LCM. Please use VR and base on below application circuit.



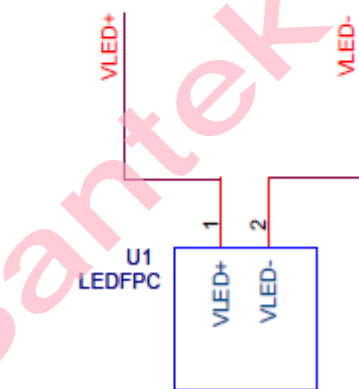
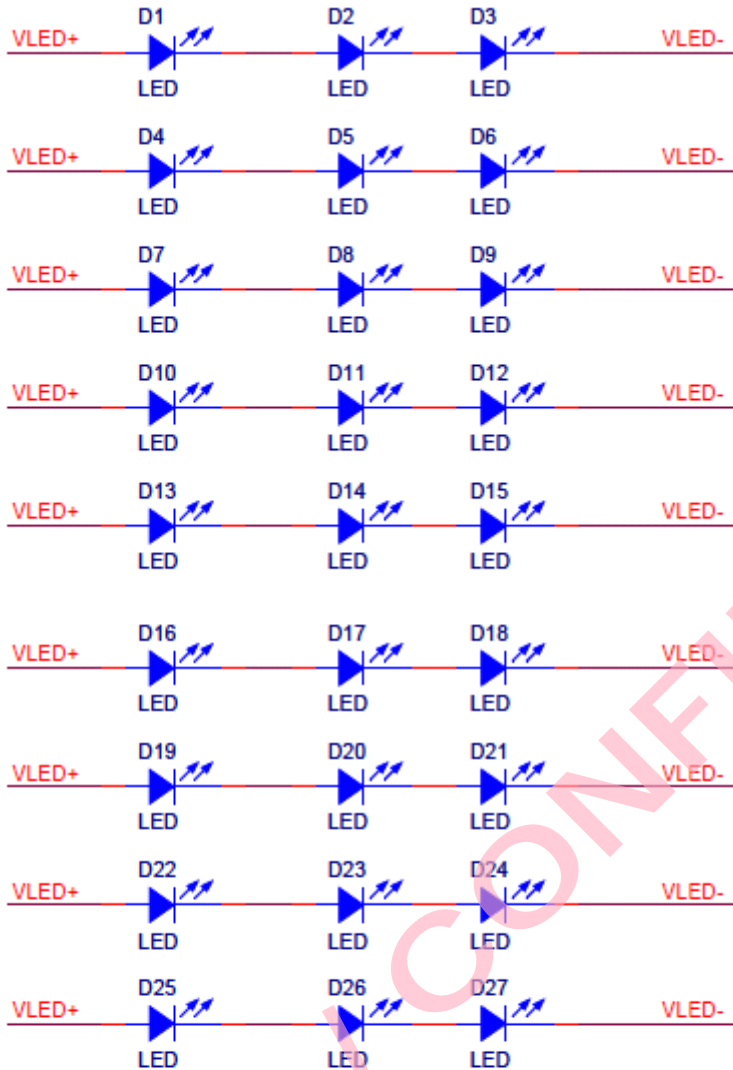
**3.1.2. Current Consumption**

Item	Symbol	Values			Unit	Remark
		Min.	Typ.	Max.		
Current for Driver	$I_{GH}$	0.05	0.2	1.0	mA	$V_{GH} = 16.0V$
	$I_{GL}$	0.05	0.2	1.0	mA	$V_{GL} = -7.0V$
	$IDV_{DD}$	1	4.0	10	mA	$DV_{DD} = 3.3V$
	$I_{AV_{DD}}$	5	20	50	mA	$AV_{DD} = 10.4V$

**3.1.3. Backlight Driving Conditions**

Item	Symbol	Values			Unit	Remark
		Min.	Typ.	Max.		
Voltage for LED backlight	$V_L$	8.4	9.3	10.2	V	Note 1
Current for LED backlight	$I_L$	170	180	200	mA	
LED life time	-	20,000	-	-	Hr	Note 2

The series connection way is:

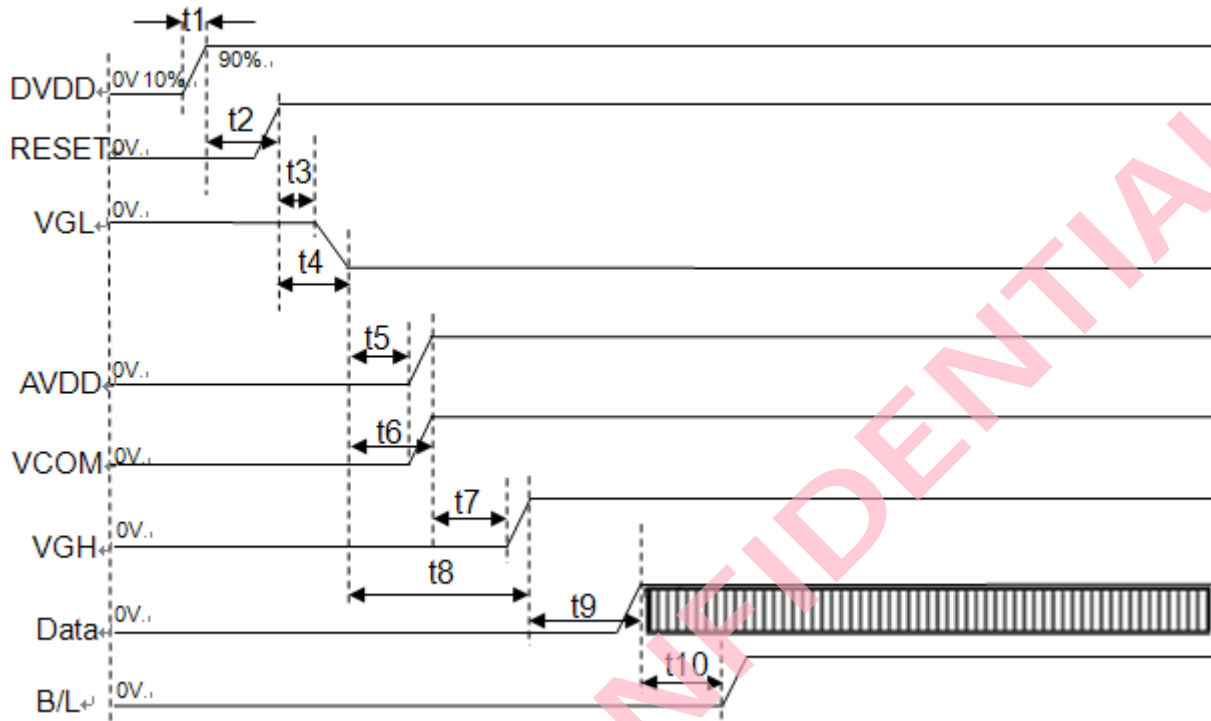


Note 1: The LED supply voltage is defined by the number of LED at  $T_a=25^{\circ}\text{C}$  and  $I_L=180\text{mA}$ .

Note 2: The “LED life time” is defined as the module brightness decrease to 50% original brightness at  $T_a=25^{\circ}\text{C}$  and  $I_L=180\text{mA}$ . The LED lifetime could be decreased if operating  $I_L$  is larger than 180mA.

### 3.2. Power Sequence

a. Power on:



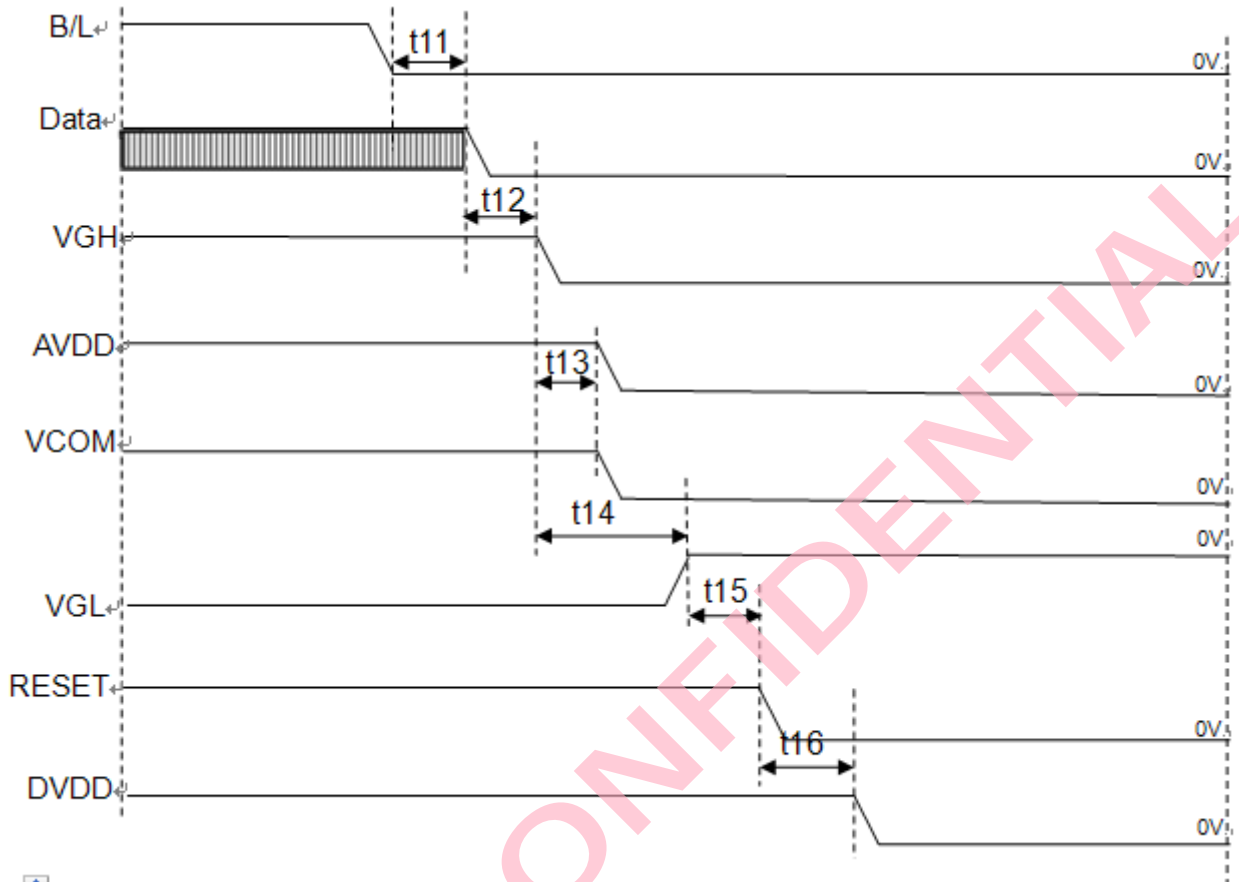
DV<sub>DD</sub> → VGL → AVDD → VGH → Data → B/L

Symbol	Spec			Unit
	Min.	Typ.	Max.	
t1	0.5	5	20	ms
t2	1	1	1.5	ms
t3	10	15	20	ms
t4	20	22	24	ms
t5	1	2	3	ms
t6	5	6	7	ms
t7	1.5	2	4	ms
t8	10	12	15	ms
t9	10	15	20	ms
t10	180	190	200	ms

Note: Data include R0~R7, B0~B7, GO~G7, U/D, L/R, DCLK, HS, VS, DE.

Note: Be sure to apply DV<sub>DD</sub> and V<sub>GL</sub> to the LCD first, and then apply V<sub>GH</sub>.

b. Power off:



B/L → Data → VGH → AVDD → VGL → DV<sub>DD</sub>

Symbol	Spec			Unit
	Min.	Typ.	Max.	
t11	180	190	200	ms
t12	10	15	20	ms
t13	5	6	7	ms
t14	10	12	15	ms
t15	20	22	24	ms
t16	1	1.5	3	ms

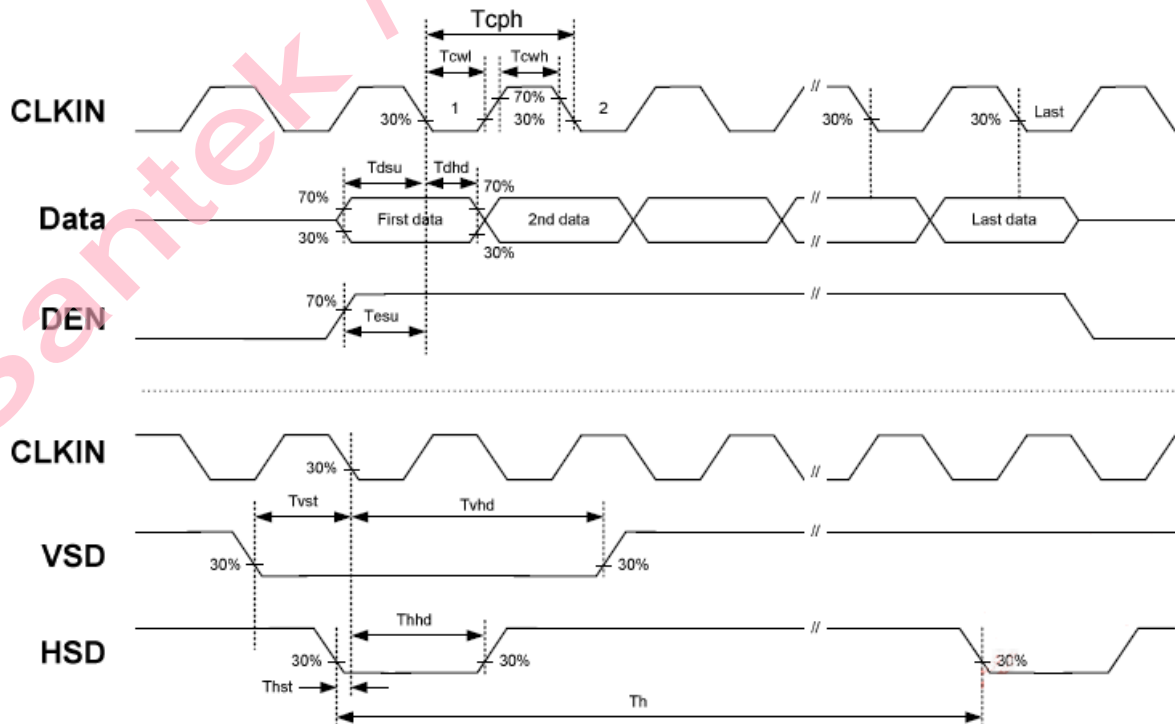
Note: Data include R0~R7, B0~B7, GO~G7, U/D, L/R, DCLK, HS, VS, DE.

### 3.3. Timing Characteristics

#### 3.3.1 AC Electrical Characteristics

Item	Symbol	Values			Unit	Remark
		Min.	Typ.	Max.		
HS setup time	$T_{hst}$	8	10	12	ns	
HS hold time	$T_{hhd}$	8	10	12	ns	
VS setup time	$T_{vst}$	8	10	12	ns	
VS hold time	$T_{vhd}$	8	10	12	ns	
Data setup time	$T_{dsu}$	8	10	12	ns	
Data hole time	$T_{dhd}$	8	10	12	ns	
DE setup time	$T_{esu}$	8	10	12	ns	
DE hole time	$T_{ehd}$	8	10	12	ns	
DV <sub>DD</sub> power on slew rate	$T_{POR}$	0.5	5	20	ms	From 0 to 90% DV <sub>DD</sub>
RESET pulse width	$T_{Rst}$	1	2	5	ms	
DCLK cycle time	$T_{coh}$	20	30	33	ns	
DCLK pulse duty	$T_{cwh}$	40	50	60	%	

#### 3.3.2 Input Clock and Data Timing Diagram



3.3.3 Timing

Item	Symbol	Values			Unit	Remark
		Min.	Typ.	Max.		
Horizontal Display Area	thd	-	800	-	DCLK	
DCLK Frequency	fclk	26.4	33.3	46.8	MHz	
One Horizontal Line	th	862	1056	1200	DCLK	
HS Pulse Width	thpw	1	6	40	DCLK	
HS Blanking	thb	46	46	46	DCLK	
HS Front Porch	thfp	16	204	354	DCLK	

Item	Symbol	Values			Unit	Remark
		Min.	Typ.	Max.		
Vertical Display Area	tvd	-	480	-	TH	
VS Period Time	tv	510	525	650	TH	
VS Pulse Width	tvpw	1	3	20	TH	
VS Blanking	tvb	23	23	23	TH	
VS Front Porch	tvfp	7	22	147	TH	

Note: Frame rate is  $60 \pm 5$ Hz

### 3.3.4 Data Input Format



Figure 3. 1 Horizontal input timing diagram.

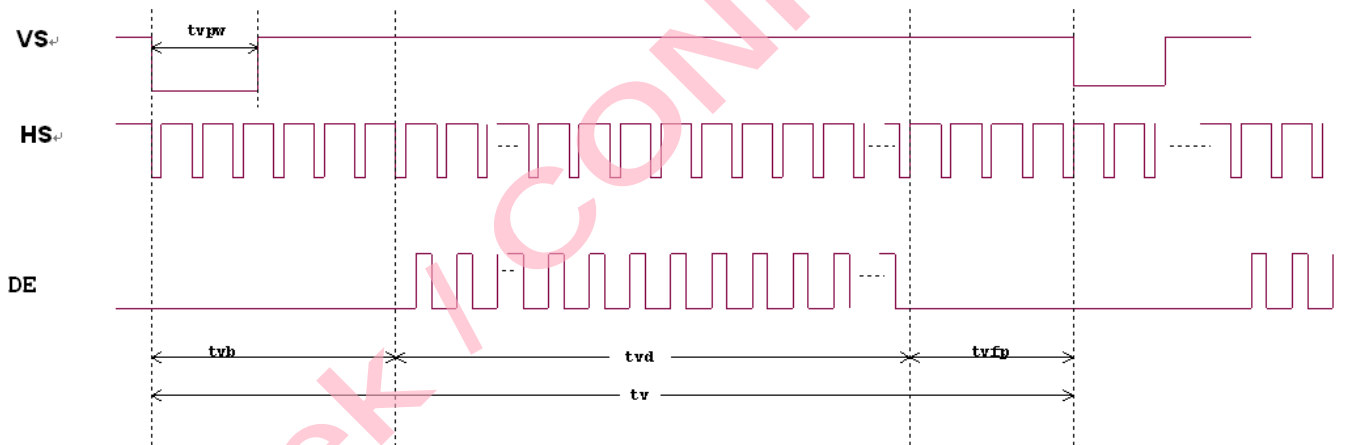


Figure 3. 2 Vertical input timing diagram.



## 4. Optical Specifications

Item	Symbol	Condition	Values			Unit	Remark
			Min.	Typ.	Max.		
Viewing angle (CR ≥ 10)	$\theta_L$	$\Phi=180^\circ$ (9 o'clock)	60	70	-	degree	Note 1
	$\theta_R$	$\Phi=0^\circ$ (3 o'clock)	60	70	-		
	$\theta_T$	$\Phi=90^\circ$ (12 o'clock)	40	50	-		
	$\theta_B$	$\Phi=270^\circ$ (6 o'clock)	60	70	-		
Response time	$T_{ON+}$ $T_{OFF}$	Normal $\theta=\Phi=0^\circ$	-	25	50	msec	Note 3
Contrast ratio	CR		400	500	-	-	Note 4
Color chromaticity	$W_X$		0.26	0.31	0.36	-	Note 2
	$W_Y$		0.28	0.33	0.38	-	Note 5 Note 6
Luminance	L		320	400	-	cd/m <sup>2</sup>	Note 6
Luminance uniformity	$Y_U$		70	75	-	%	Note 7

Test Conditions:

1.  $DV_{DD}=3.3V$ ,  $I_L=180mA$  (Backlight current), the ambient temperature is  $25^\circ C$ .
2. The test systems refer to Note 2.

Note 1: Definition of viewing angle range

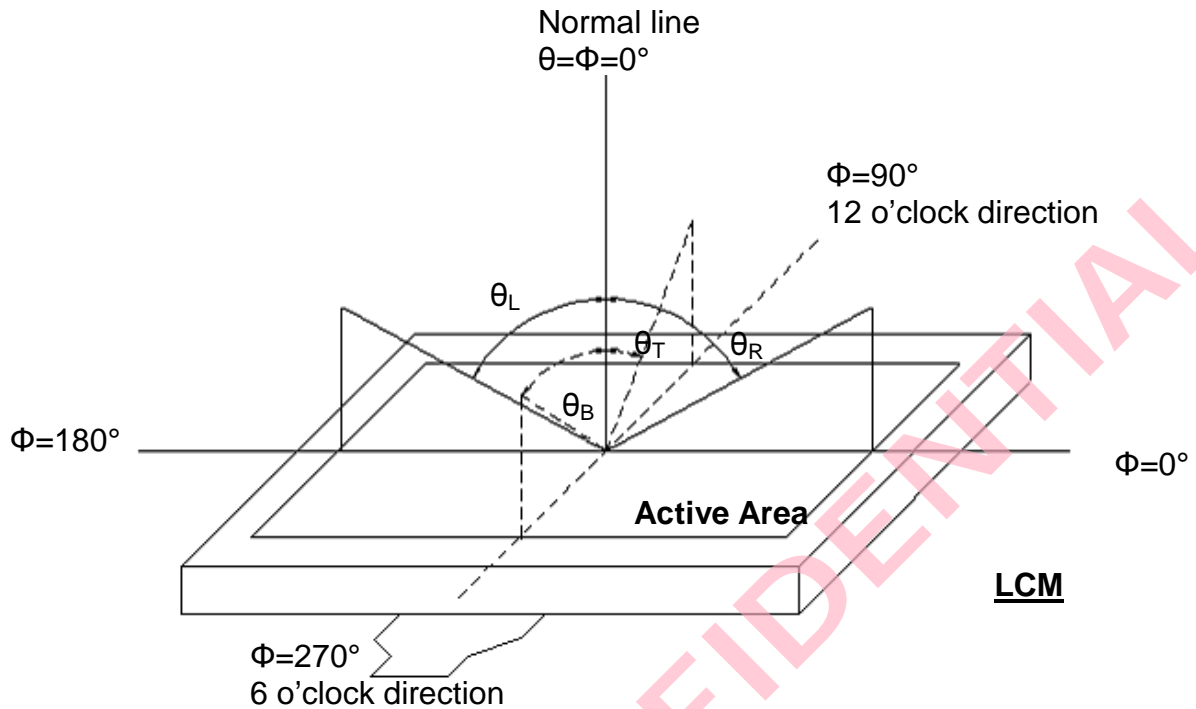


Fig. 4-1 Definition of viewing angle

Note 2: Definition of optical measurement system.

The optical characteristics should be measured in dark room. After 30 minutes operation, the optical properties are measured at the center point of the LCD screen. (Response time is measured by Photo detector TOPCON BM-7, other items are measured by BM-5A/Field of view: 1°/Height: 500mm.)

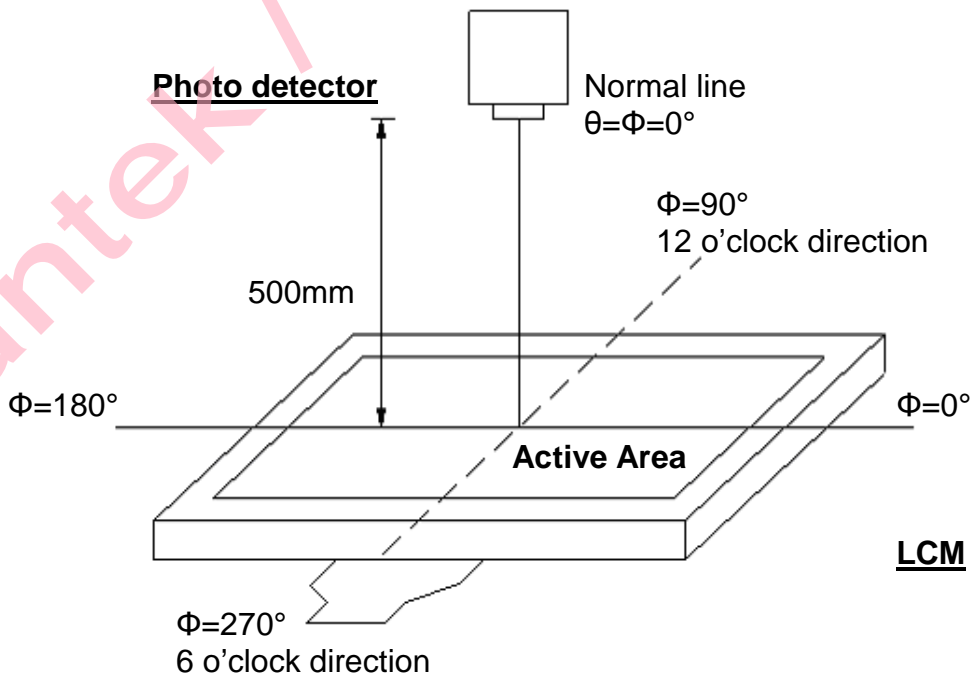


Fig. 4-2 Optical measurement system setup

Note 3: Definition of response time

The response time is defined as the LCD optical switching time interval between "White" state and "Black" state. Rise time ( $T_{ON}$ ) is the time between photo detector output intensity changed from 90% to 10%. And fall time ( $T_{OFF}$ ) is the time between photo detector output intensity changed from 10% to 90%.

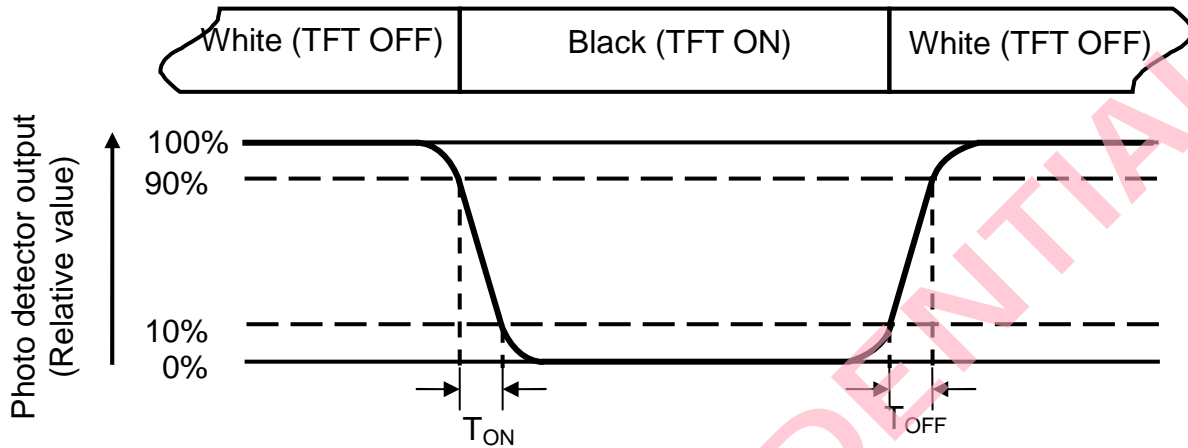


Fig. 4-3 Definition of response time

Note 4: Definition of contrast ratio

$$\text{Contrast ratio (CR)} = \frac{\text{Luminance measured when LCD on the "White" state}}{\text{Luminance measured when LCD on the "Black" state}}$$

Note 5: Definition of color chromaticity (CIE1931)

Color coordinates measured at center point of LCD.

Note 6: All input terminals LCD panel must be ground while measuring the center area of the panel. The LED driving condition is  $I_L=180\text{mA}$ .

Note 7: Definition of luminance uniformity

Active area is divided into 9 measuring areas (Refer to Fig. 4-4 ).Every measuring point is placed at the center of each measuring area.

$$\text{Luminance Uniformity (Yu)} = \frac{B_{min}}{B_{max}}$$

L-----Active area length      W----- Active area width

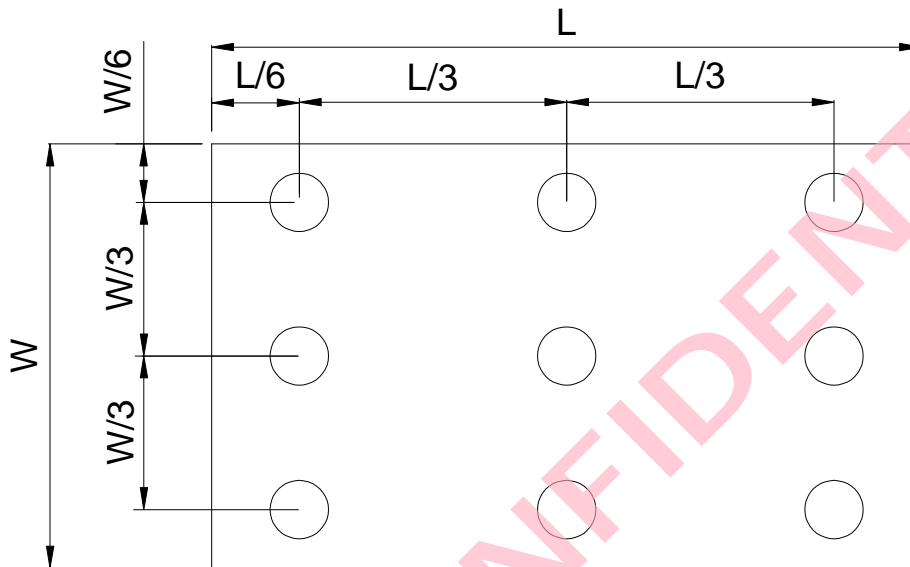


Fig. 4-4 Definition of measuring points

**B<sub>max</sub>**: The measured maximum luminance of all measurement position.

**B<sub>min</sub>**: The measured minimum luminance of all measurement position.



## 6. General Precautions

### 6.1. Safety

1. Liquid crystal is poisonous. Do not put it in your mouth. If liquid crystal touches your skin or clothes, wash it off immediately by using soap and water.
2. The temperature for using is no more than this product SPEC, otherwise, only promise the function is OK, but the quality may be changed.

### 6.2. Handling

1. The LCD panel is plate glass. Do not subject the panel to mechanical shock or to excessive force on its surface.
2. The polarizer attached to the display is easily damaged. Please handle it carefully to avoid scratch or other damages.
3. To avoid contamination on the display surface, do not touch the module surface with bare hands.
4. Keep a space so that the LCD panels do not touch other components.
5. Put cover board such as acrylic board on the surface of LCD panel to protect panel from damages.
6. Transparent electrodes may be disconnected if you use the LCD panel under environmental conditions where the condensation of dew occurs.
7. Do not leave module in direct sunlight to avoid malfunction of the ICs.

### 6.3. Static Electricity

1. Be sure to ground module before turning on power or operating module.
2. Do not apply voltage which exceeds the absolute maximum rating value.

### 6.4. Storage

1. Store the module in a dark room where must keep at  $25\pm 10^{\circ}\text{C}$  and 65%RH or less.
2. Do not store the module in surroundings containing organic solvent or corrosive gas.
3. Store the module in an anti-electrostatic container or bag.

### 6.5. Cleaning

1. Do not wipe the polarizer with dry cloth. It might cause scratch.
2. Only use a soft sloth with IPA to wipe the polarizer, other chemicals might permanent damage to the polarizer.



## 8. Package Drawing

### 8.1. Package Material Table

No.	Item	Model (Material)	Dimensions(mm)	Unit Weight (kg)	Quantity	Remark
1	LCM Module	ST0700I10-RSLW-F	164.9 × 100.0 × 5.7	0.154	50pcs	
2	Partition	BC Corrugated paper	512 × 349 × 226	1.466	1set	
3	Corrugated Paper	CM35	30 × 10 × 0.1	0.001	50pcs	
4	Corrugated Bar	B Corrugated paper	510 × 122	0.046	4pcs	
5	AL Bag	PE	178 × 160 × 0.06	0.006	50pcs	
6	Carton	Corrugated paper	525 × 362 × 250	0.95	1 pcs	
7	Total Weight	10.65 kg ± 5%				

### 8.2. Packaging Quantity

Total LCM quantity in Carton: no. of Partition      2 Rows × quantity per Row 25      = 50
--



### 8.3. Packaging Drawing

