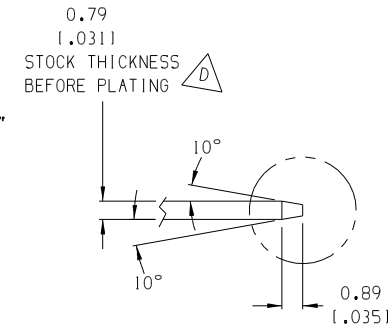
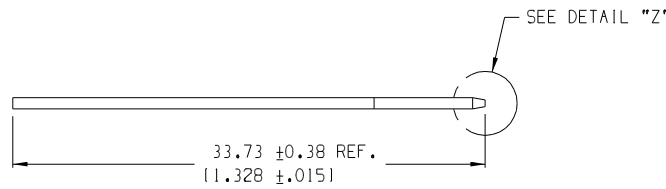


Ø4.09 2 HOLES
(1.161)



DETAIL "Z"
SCALE 5:1

NOTES:

1. MATERIAL: SEE TABLE
2. FINISHES: SEE TABLE
3. PRODUCT SPECIFICATION: NOT REQUIRED
4. PACKAGING: NOT REQUIRED
5. MATES WITH: NONE

38002-0271	70/30 BRASS, HALF HARD	TIN PLATED
MATERIAL NO.	DESCRIPTION	FINISH

EC NO. RELEASED DRAWN: CLY CH: K APPR: A	DESCRIPTION MAJOR CRITICAL SPC S	GENERAL TOLERANCES: (UNLESS SPECIFIED)		SCALE 3:1	DESIGN UNITS <input type="checkbox"/> mm <input checked="" type="checkbox"/> INCH	THIRD ANGLE PROJECTION	DIMENSIONS: <input checked="" type="checkbox"/> mm <input type="checkbox"/> INCH <input type="checkbox"/> mm ONLY	SHT REV
		4 PLACES ±.0015 3 PLACES ±.038 ±.005 2 PLACES ±.13 ±.01 1 PLACE ±.3	DRAWN BY & DATE C. YORK 08-15-05	TITLE: TERMINAL, FAST TAB FL, OPTION -1813		APPROVED BY & DATE		MOLEX INCORPORATED
REV A	DRAFT WHERE APPLICABLE MUST REMAIN WITHIN DIMENSIONS	ANGULAR: ±2°	CAD FILENAME 180411	MATERIAL NO. 38002-0271	DRAWING NO. SD-38002-0271	SHEET NO. 1 OF 1	SIZE B	
THIS DRAWING CONTAINS INFORMATION THAT IS PROPRIETARY TO MOLEX INCORPORATED AND SHOULD NOT BE USED WITHOUT WRITTEN PERMISSION.								REVISE ON CAD ONLY

