

The product advantages



With its modern design, Bocube Aluminium sets new design trends in the diecast enclosure sector. If required, the colour of the powder coating can be selected to match the application. Bocube aluminium - protects your electronics even in particularly harsh environments. NEW: discover the screwable version now!



The high protection class of IP69 is achieved with only two lid screws. As with all others, they are mounted invisibly under the design covers.

The integrated hinge ensures easy access to the interior, and wiring between the modules in the lid and base is perfectly protected.



The base has a moulded-on insertion opening for factory-activated pressure compensation membranes.



All the enclosure components are made of metal, so they are ideal for use in harsh environmental conditions



Quick-Finder:
www.bopla.de/00

Examples of use

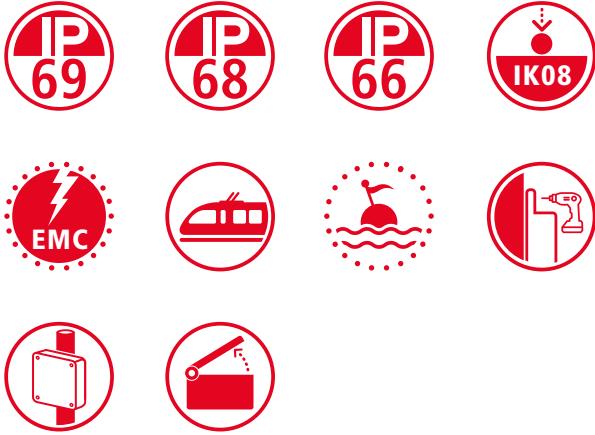




BOPLA

A Phoenix Mecano Company

Bocube Alu



Colour:

● Light grey, similar to RAL 7035

● Graphite grey, similar to RAL 7024

Special colours on request

Protection class:

IP66 / IP68 (1.2 m - 2 h) / IP 69 DIN EN 60529;

Higher protection class on request

Material:

Enclosure: GD Al Si 12

Seal: PU foamed

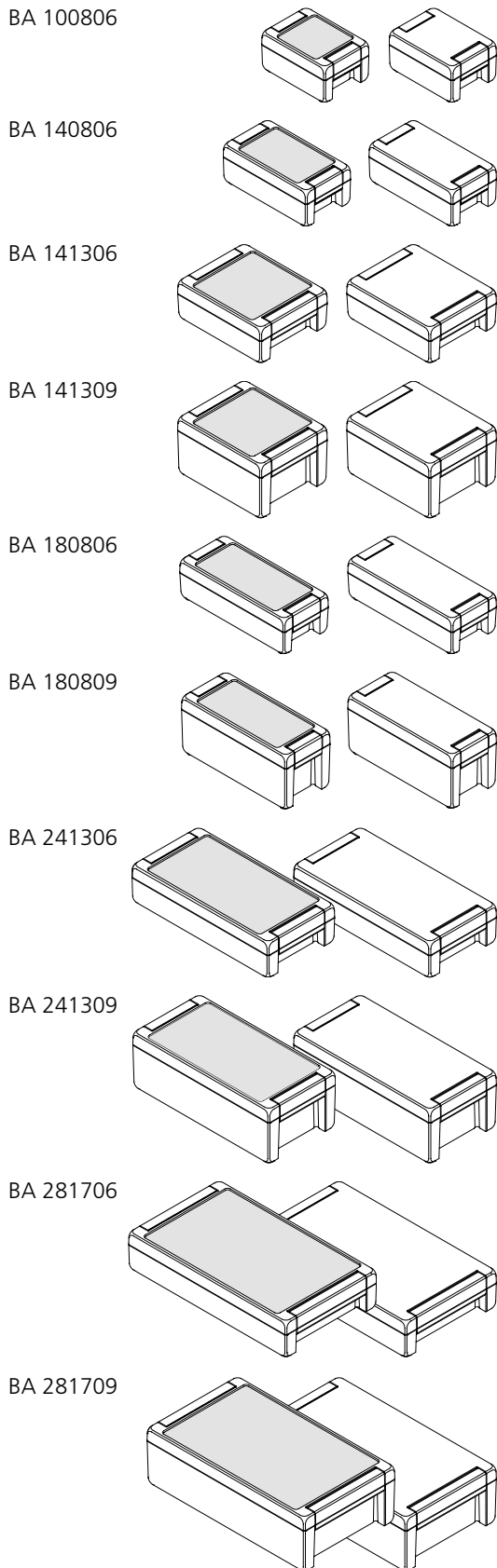
Hinges / covers: Al Mg Si 0,5

powder-coated or anodized in natural color

For details see technical information.

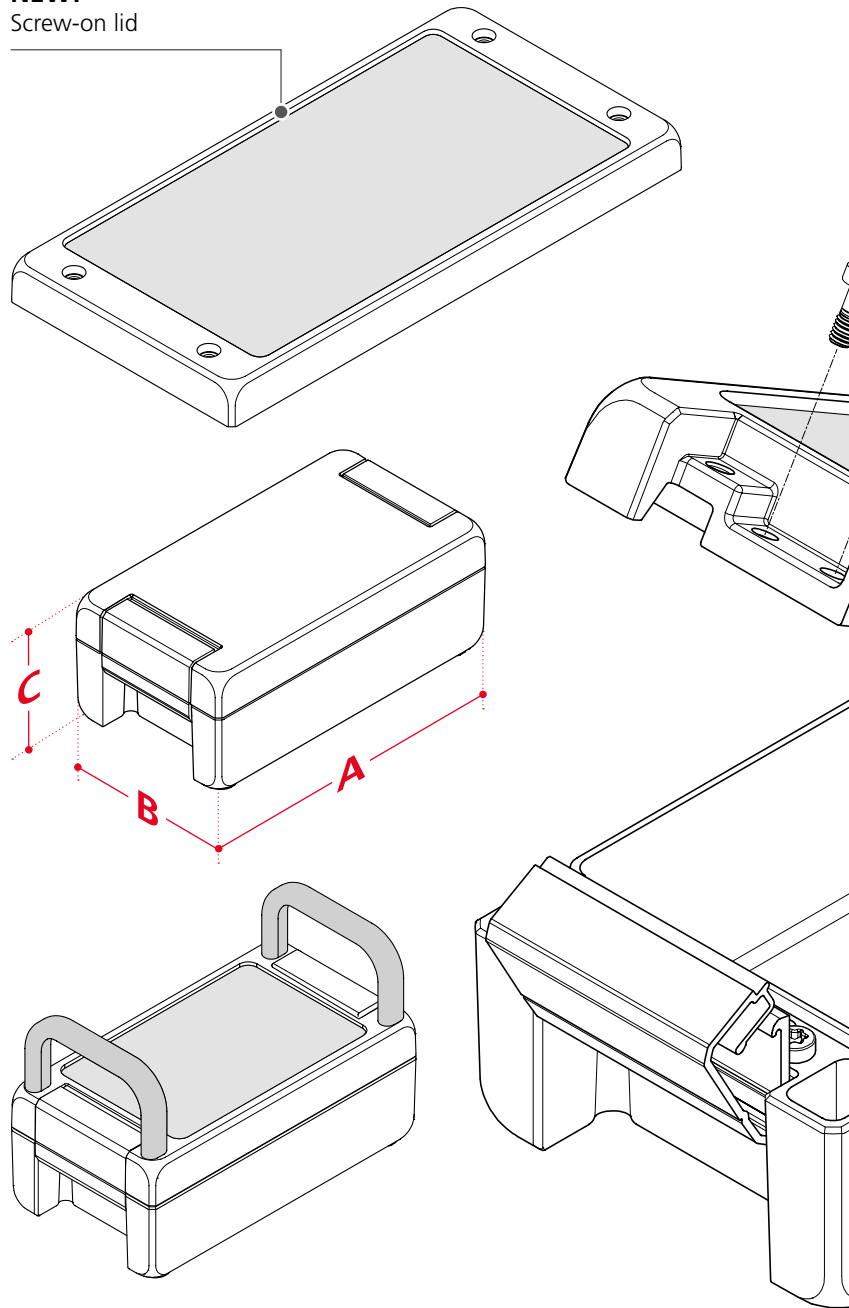


Enclosure sizes



Design types

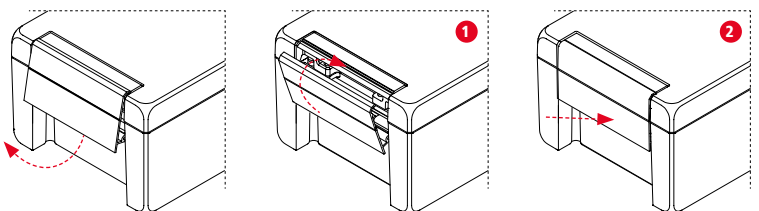
NEW!
Screw-on lid



Optional quick-release fastener

Open

Close





BOPLA

A Phoenix Mecano Company

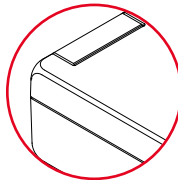
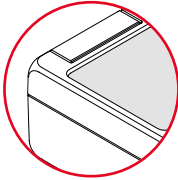
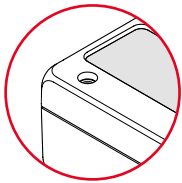
Bocube Alu

Lid variants

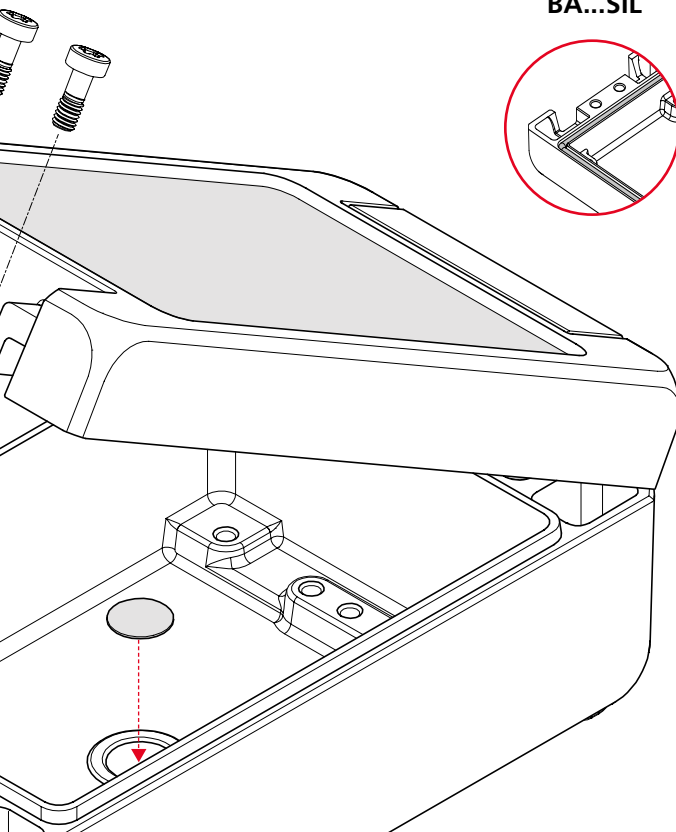
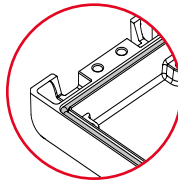
BA-S...

BA...F

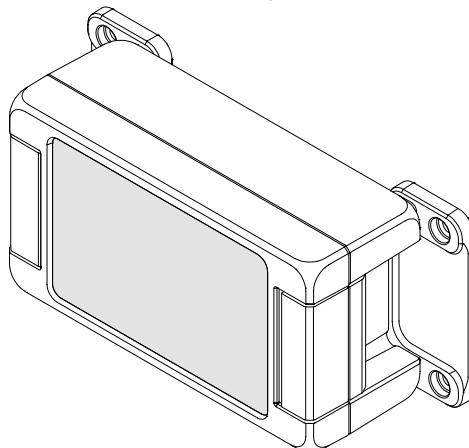
BA...



BA...SIL



Wall brackets
for screwing-on from the inside



Dimensions

Model	A	B	C	SIL*
BA 100806...	121	86	60	✓
BA 140806...	159	86	60	✓
BA 141306...	159	128	60	✓
BA 141309...	159	128	90	✓
BA 180806...	199	86	60	✓
BA 180809...	199	86	90	✓
BA 241306...	259	128	60	✓
BA 241309...	259	128	90	✓
BA 281706...	299	173	60	✓
BA 281709...	299	173	90	✓

*SIL = with silicone lid seal

Accessories



Wall brackets



Quick release



Set of handles



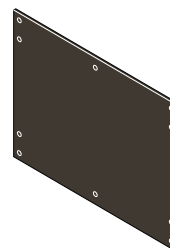
Pressure compensation membrane
DAE



DIN rails
TH 15, G 32, TH 35



Mast mounting



Mounting panels in different versions

Bocube Alu

Enclosure with smooth lid, light grey, hinged



Enclosure with smooth lid, light grey, hinged

Model	Order no.	A	B	C	a1	a2	b1	b2	c1	Colour
BA 100806-7035	00112125	121	86	60	-	77.5	-	77.5	53.5	Light grey
BA 140806-7035	00113125	159	86	60	-	115.5	-	77.5	53.5	Light grey
BA 141306-7035	00113225	159	128	60	-	114.5	-	118.5	53.5	Light grey
BA 141309-7035	00113235	159	128	90	-	114.5	-	118.5	83.5	Light grey
BA 180806-7035	00114125	199	86	60	-	155.5	-	77.5	53.5	Light grey
BA 180809-7035	00114135	199	86	90	-	155.5	-	77.5	83.5	Light grey
BA 241306-7035	00115225	259	128	60	-	215.5	-	119.5	53.5	Light grey
BA 241309-7035	00115235	259	128	90	-	214.5	-	118.5	83.5	Light grey
BA 281706-7035	00116325	299	173	60	-	255.5	-	164.5	53.5	Light grey
BA 281709-7035	00116335	299	173	90	-	254.5	-	163.5	83.5	Light grey

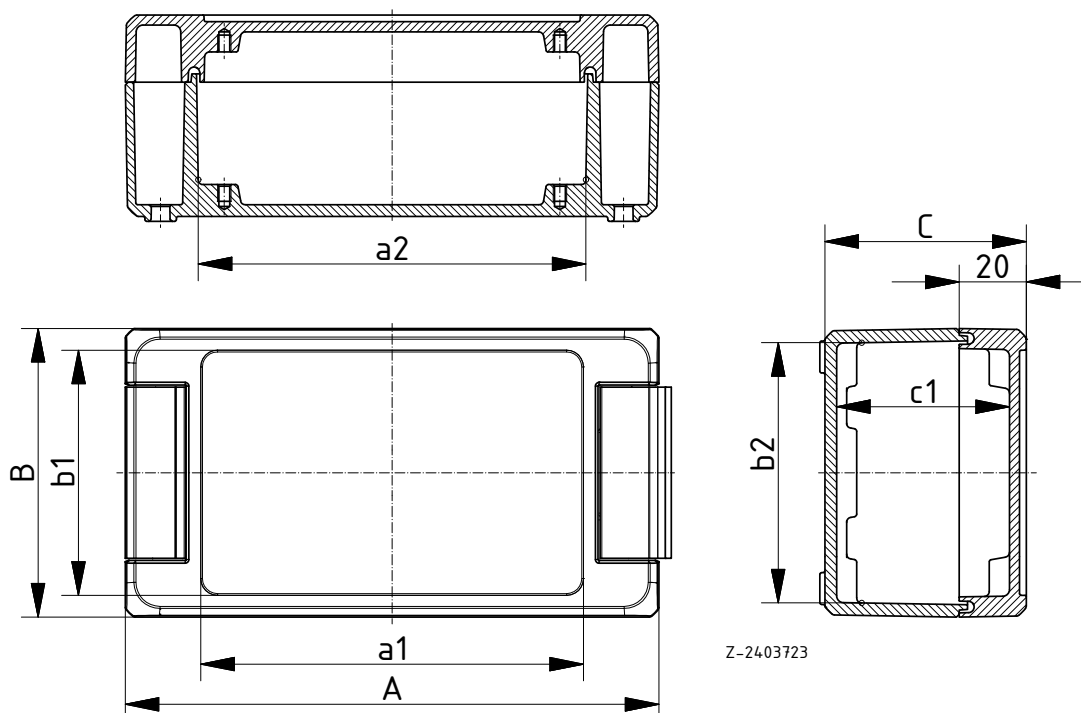
Scope Of Delivery: enclosure incl. hinge and fixing material



Enclosure with smooth lid, light grey, hinged, with silicone lid seal

Model	Order no.	A	B	C	a1	a2	b1	b2	c1	Colour
BA 100806 SIL-7035	00112125.SIL*	121	86	60	-	77.5	-	77.5	53.5	Light grey
BA 140806 SIL-7035	00113125.SIL*	159	86	60	-	115.5	-	77.5	53.5	Light grey
BA 141306 SIL-7035	00113225.SIL*	159	128	60	-	114.5	-	118.5	53.5	Light grey
BA 141309 SIL-7035	00113235.SIL*	159	128	90	-	114.5	-	118.5	83.5	Light grey
BA 180806 SIL-7035	00114125.SIL*	199	86	60	-	155.5	-	77.5	53.5	Light grey
BA 180809 SIL-7035	00114135.SIL*	199	86	90	-	155.5	-	77.5	83.5	Light grey
BA 241306 SIL-7035	00115225.SIL*	259	128	60	-	215.5	-	119.5	53.5	Light grey
BA 241309 SIL-7035	00115235.SIL*	259	128	90	-	214.5	-	118.5	83.5	Light grey
BA 281706 SIL-7035	00116325.SIL*	299	173	60	-	255.5	-	164.5	53.5	Light grey
BA 281709 SIL-7035	00116335.SIL*	299	173	90	-	254.5	-	163.5	83.5	Light grey

Scope Of Delivery: enclosure incl. hinge and fixing material



Z-2403723

Bocube Alu

Enclosure with membrane lid, light grey, hinged

Enclosure with membrane lid, light grey, hinged

Model	Order no.	A	B	C	a1	a2	b1	b2	c1	Colour
BA 100806 F-7035	00122125	121	86	60	75.5	77.5	72.5	77.5	51.5	Light grey
BA 140806 F-7035	00123125	159	86	60	113.5	115.5	72.5	77.5	51.5	Light grey
BA 141306 F-7035	00123225	159	128	60	113.5	114.5	114.5	118.5	51.5	Light grey
BA 141309 F-7035	00123235	159	128	90	113.5	114.5	114.5	118.5	81.5	Light grey
BA 180806 F-7035	00124125	199	86	60	153.5	155.5	72.5	77.5	51.5	Light grey
BA 180809 F-7035	00124135	199	86	90	153.5	155.5	72.5	77.5	81.5	Light grey
BA 241306 F-7035	00125225	259	128	60	213.5	215.5	114.5	119.5	51.5	Light grey
BA 241309 F-7035	00125235	259	128	90	213.5	214.5	114.5	118.5	81.5	Light grey
BA 281706 F-7035	00126325	299	173	60	253.5	255.5	159.5	164.5	51.5	Light grey
BA 281709 F-7035	00126335	299	173	90	253.5	254.5	159.5	163.5	81.5	Light grey

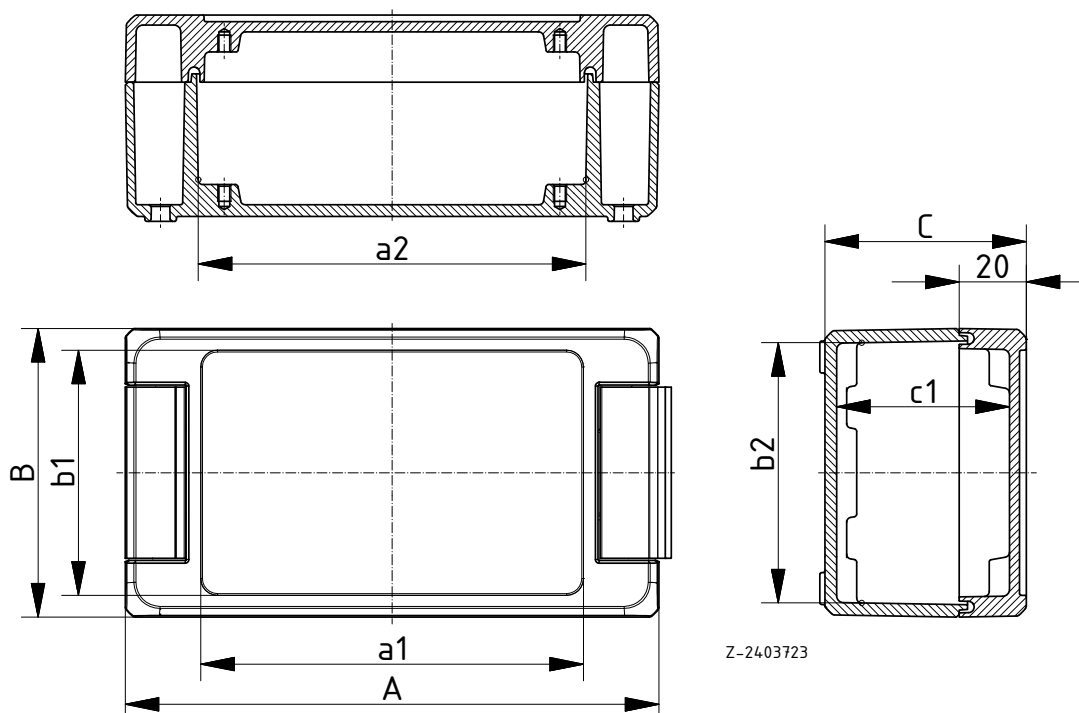
Scope Of Delivery: enclosure incl. hinge and fixing material



Enclosure with membrane lid, light grey, hinged, with silicone lid seal

Model	Order no.	A	B	C	a1	a2	b1	b2	c1	Colour
BA 100806 F SIL-7035	00122125.SIL*	121	86	60	75.5	77.5	72.5	77.5	51.5	Light grey
BA 140806 F SIL-7035	00123125.SIL*	159	86	60	113.5	115.5	72.5	77.5	51.5	Light grey
BA 141306 F SIL-7035	00123225.SIL*	159	128	60	113.5	114.5	114.5	118.5	51.5	Light grey
BA 141309 F SIL-7035	00123235.SIL*	159	128	90	113.5	114.5	114.5	118.5	81.5	Light grey
BA 180806 F SIL-7035	00124125.SIL*	199	86	60	153.5	155.5	72.5	77.5	51.5	Light grey
BA 180809 F SIL-7035	00124135.SIL*	199	86	90	153.5	155.5	72.5	77.5	81.5	Light grey
BA 241306 F SIL-7035	00125225.SIL*	259	128	60	213.5	215.5	114.5	119.5	51.5	Light grey
BA 241309 F SIL-7035	00125235.SIL*	259	128	90	213.5	214.5	114.5	118.5	81.5	Light grey
BA 281706 F SIL-7035	00126325.SIL*	299	173	60	253.5	255.5	159.5	164.5	51.5	Light grey
BA 281709 F SIL-7035	00126335.SIL*	299	173	90	253.5	254.5	159.5	163.5	81.5	Light grey

Scope Of Delivery: enclosure incl. hinge and fixing material



Bocube Alu

Enclosure with membrane lid, light grey, screwed



Enclosure with membrane lid, light grey, screwed

Model	Order no.	A	B	C	a1	a2	b1	b2	c1	Colour
BA-S 100806 F-7035	00162125	121	86	60	75.5	77.5	72.5	77.5	51.5	Light grey
BA-S 140806 F-7035	00163125	159	86	60	113.5	115.5	72.5	77.5	51.5	Light grey
BA-S 141306 F-7035	00163225	159	128	60	113.5	114.5	114.5	118.5	51.5	Light grey
BA-S 141309 F-7035	00163235	159	128	90	113.5	114.5	114.5	118.5	81.5	Light grey
BA-S 180806 F-7035	00164125	199	86	60	153.5	155.5	72.5	77.5	51.5	Light grey
BA-S 180809 F-7035	00164135	199	86	90	153.5	155.5	72.5	77.5	81.5	Light grey
BA-S 241306 F-7035	00165225	259	128	60	213.5	215.5	114.5	119.5	51.5	Light grey
BA-S 241309 F-7035	00165235	259	128	90	213.5	214.5	114.5	118.5	81.5	Light grey
BA-S 281706 F-7035	00166325	299	173	60	253.5	255.5	159.5	164.5	51.5	Light grey
BA-S 281709 F-7035	00166335	299	173	90	253.5	254.5	159.5	163.5	81.5	Light grey

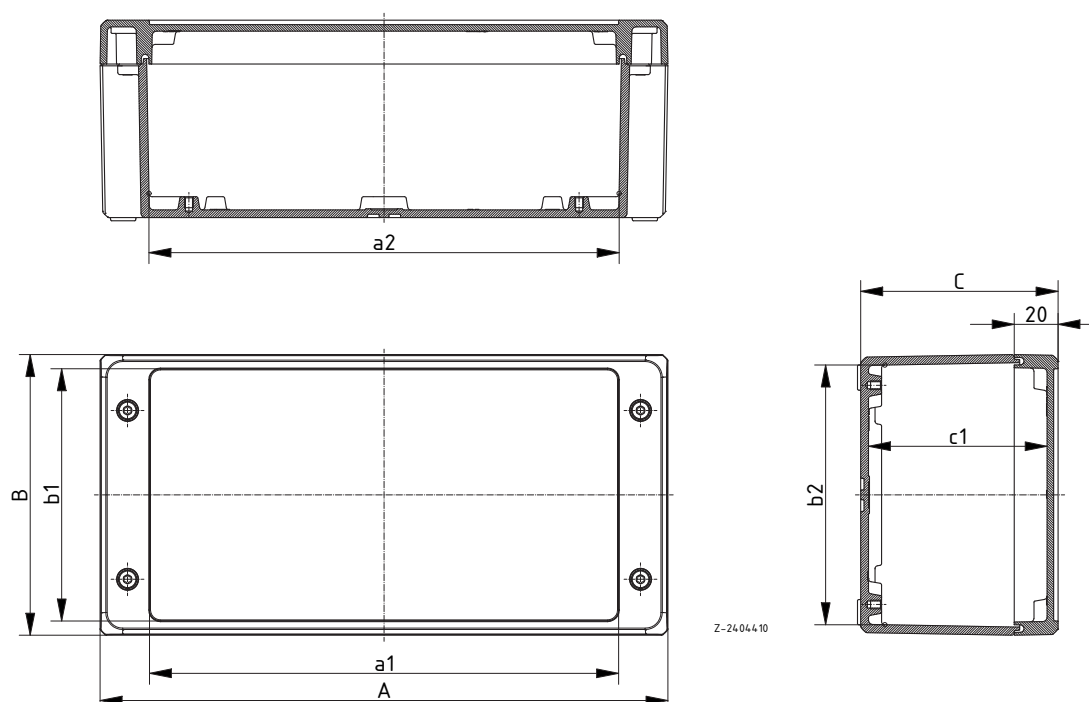
Scope Of Delivery: Lid and base, lid screws (V2A), earthing screws



Enclosure with membrane lid, light grey, screwed, with silicone lid seal

Model	Order no.	A	B	C	a1	a2	b1	b2	c1	Colour
BA-S 100806 F SIL-7035	00162125.SIL*	121	86	60	75.5	77.5	72.5	77.5	51.5	Light grey
BA-S 140806 F SIL-7035	00163125.SIL*	159	86	60	113.5	115.5	72.5	77.5	51.5	Light grey
BA-S 141306 F SIL-7035	00163225.SIL*	159	128	60	113.5	114.5	114.5	118.5	51.5	Light grey
BA-S 141309 F SIL-7035	00163235.SIL*	159	128	90	113.5	114.5	114.5	118.5	81.5	Light grey
BA-S 180806 F SIL-7035	00164125.SIL*	199	86	60	153.5	155.5	72.5	77.5	51.5	Light grey
BA-S 180809 F SIL-7035	00164135.SIL*	199	86	90	153.5	155.5	72.5	77.5	81.5	Light grey
BA-S 241306 F SIL-7035	00165225.SIL*	259	128	60	213.5	215.5	114.5	119.5	51.5	Light grey
BA-S 241309 F SIL-7035	00165235.SIL*	259	128	90	213.5	214.5	114.5	118.5	81.5	Light grey
BA-S 281706 F SIL-7035	00166325.SIL*	299	173	60	253.5	255.5	159.5	164.5	51.5	Light grey
BA-S 281709 F SIL-7035	00166335.SIL*	299	173	90	253.5	254.5	159.5	163.5	81.5	Light grey

Scope Of Delivery: Lid and base, lid screws (V2A), earthing screws



Bocube Alu

Enclosure with smooth lid, graphite grey, hinged

Bocube Alu | Enclosure with smooth lid, graphite grey, hinged

Model	Order no.	A	B	C	a1	a2	b1	b2	c1
BA 100806-7024	00112124	121	86	60	-	77.5	-	77.5	53.5
BA 140806-7024	00113124	159	86	60	-	115.5	-	77.5	53.5
BA 141306-7024	00113224	159	128	60	-	114.5	-	118.5	53.5
BA 141309-7024	00113234	159	128	90	-	114.5	-	118.5	83.5
BA 180806-7024	00114124	199	86	60	-	155.5	-	77.5	53.5
BA 180809-7024	00114134	199	86	90	-	155.5	-	77.5	83.5
BA 241306-7024	00115224	259	128	60	-	215.5	-	119.5	53.5
BA 241309-7024	00115234	259	128	90	-	214.5	-	118.5	83.5
BA 281706-7024	00116324	299	173	60	-	255.5	-	164.5	53.5
BA 281709-7024	00116334	299	173	90	-	254.5	-	163.5	83.5



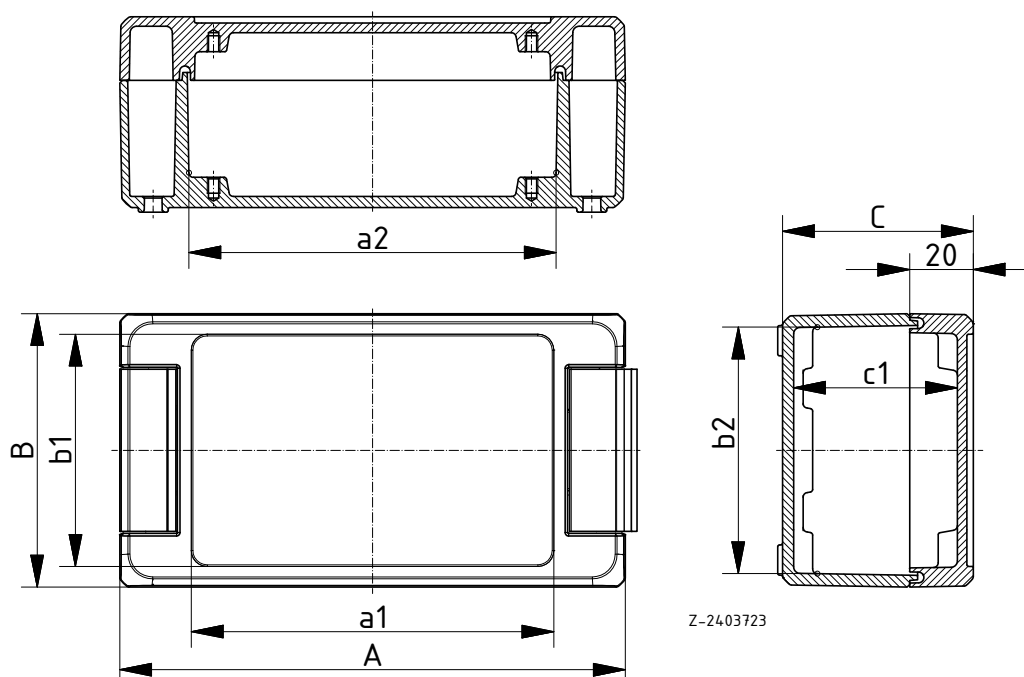
Scope Of Delivery: enclosure incl. hinge and fixing material

Enclosure with smooth lid, graphite grey, covers anodised, hinged, with silicone lid seal

Model	Order no.	A	B	C	a1	a2	b1	b2	c1
BA 100806 SIL-7024	00112124.SIL*	121	86	60	-	77.5	-	77.5	53.5
BA 140806 SIL-7024	00113124.SIL*	159	86	60	-	115.5	-	77.5	53.5
BA 141306 SIL-7024	00113224.SIL*	159	128	60	-	114.5	-	118.5	53.5
BA 141309 SIL-7024	00113234.SIL*	159	128	90	-	114.5	-	118.5	83.5
BA 180806 SIL-7024	00114124.SIL*	199	86	60	-	155.5	-	77.5	53.5
BA 241306 SIL-7024	00115224.SIL*	259	128	60	-	215.5	-	119.5	53.5
BA 241309 SIL-7024	00115234.SIL*	259	128	90	-	214.5	-	118.5	83.5
BA 281706 SIL-7024	00116324.SIL*	299	173	60	-	255.5	-	164.5	53.5
BA 281709 SIL-7024	00116334.SIL*	299	173	90	-	254.5	-	163.5	83.5
BA 180809 SIL-7024	00114134.SIL*	199	86	90	-	155.5	-	77.5	83.5



Scope Of Delivery: enclosure incl. hinge and fixing material



Z-2403723

Bocube Alu

Enclosure with membrane lid, graphite grey, covers anodised, hinged



Bocube Alu | Enclosure with membrane lid, graphite grey, covers anodised, hinged

Model	Order no.	A	B	C	a1	a2	b1	b2	c1
BA 100806 F-7024	00122124	121	86	60	75.5	77.5	72.5	77.5	51.5
BA 140806 F-7024	00123124	159	86	60	113.5	115.5	72.5	77.5	51.5
BA 141306 F-7024	00123224	159	128	60	113.5	114.5	114.5	118.5	51.5
BA 141309 F-7024	00123234	159	128	90	113.5	114.5	114.5	118.5	81.5
BA 180806 F-7024	00124124	199	86	60	153.5	155.5	72.5	77.5	51.5
BA 180809 F-7024	00124134	199	86	90	153.5	155.5	72.5	77.5	81.5
BA 241306 F-7024	00125224	259	128	60	213.5	215.5	114.5	119.5	51.5
BA 241309 F-7024	00125234	259	128	90	213.5	214.5	114.5	118.5	81.5
BA 281706 F-7024	00126324	299	173	60	253.5	255.5	159.5	164.5	51.5
BA 281709 F-7024	00126334	299	173	90	253.5	254.5	159.5	163.5	81.5

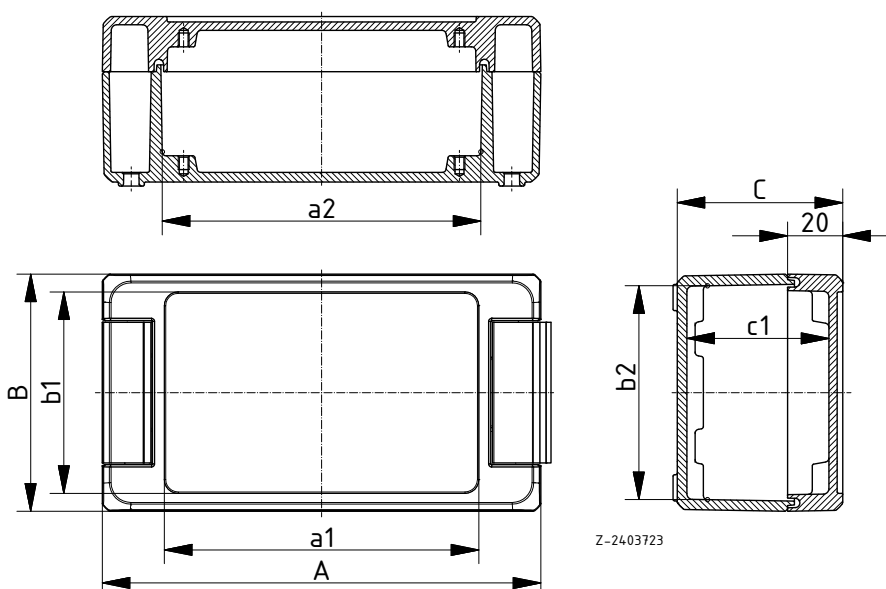
Scope Of Delivery: enclosure incl. hinge and fixing material



Enclosure with membrane lid, graphite grey, covers anodised, hinged, with silicone lid seal

Model	Order no.	A	B	C	a1	a2	b1	b2	c1
BA 100806 F SIL-7024	00122124.SIL*	121	86	60	75.5	77.5	72.5	77.5	51.5
BA 140806 F SIL-7024	00123124.SIL*	159	86	60	113.5	115.5	72.5	77.5	51.5
BA 141306 F SIL-7024	00123224.SIL*	159	128	60	113.5	114.5	114.5	118.5	51.5
BA 141309 F SIL-7024	00123234.SIL*	159	128	90	113.5	114.5	114.5	118.5	81.5
BA 180806 F SIL-7024	00124124.SIL*	199	86	60	153.5	155.5	72.5	77.5	51.5
BA 180809 F SIL-7024	00124134.SIL*	199	86	90	153.5	155.5	72.5	77.5	81.5
BA 241306 F SIL-7024	00125224.SIL*	259	128	60	213.5	215.5	114.5	119.5	51.5
BA 241309 F SIL-7024	00125234.SIL*	259	128	90	213.5	214.5	114.5	118.5	81.5
BA 281706 F SIL-7024	00126324.SIL*	299	173	60	253.5	255.5	159.5	164.5	51.5
BA 281709 F SIL-7024	00126334.SIL*	299	173	90	253.5	254.5	159.5	163.5	81.5

Scope Of Delivery: enclosure incl. hinge and fixing material



Z-2403723

Bocube Alu

Enclosure with membrane lid, graphite grey, screwed

Enclosure with membrane lid, graphite grey, screwed

Model	Order no.	A	B	C	a1	a2	b1	b2	c1
BA-S 100806 F-7024	00162124	121	86	60	75.5	77.5	72.5	77.5	51.5
BA-S 140806 F-7024	00163124	159	86	60	113.5	115.5	72.5	77.5	51.5
BA-S 141306 F-7024	00163224	159	128	60	113.5	114.5	114.5	118.5	51.5
BA-S 141309 F-7024	00163234	159	128	90	113.5	114.5	114.5	118.5	81.5
BA-S 180806 F-7024	00164124	199	86	60	153.5	155.5	72.5	77.5	51.5
BA-S 180809 F-7024	00164134	199	86	90	153.5	155.5	72.5	77.5	81.5
BA-S 241306 F-7024	00165224	259	128	60	213.5	215.5	114.5	119.5	51.5
BA-S 241309 F-7024	00165234	259	128	90	213.5	214.5	114.5	118.5	81.5
BA-S 281706 F-7024	00166324	299	173	60	253.5	255.5	159.5	164.5	51.5
BA-S 281709 F-7024	00166334	299	173	90	253.5	254.5	159.5	163.5	81.5

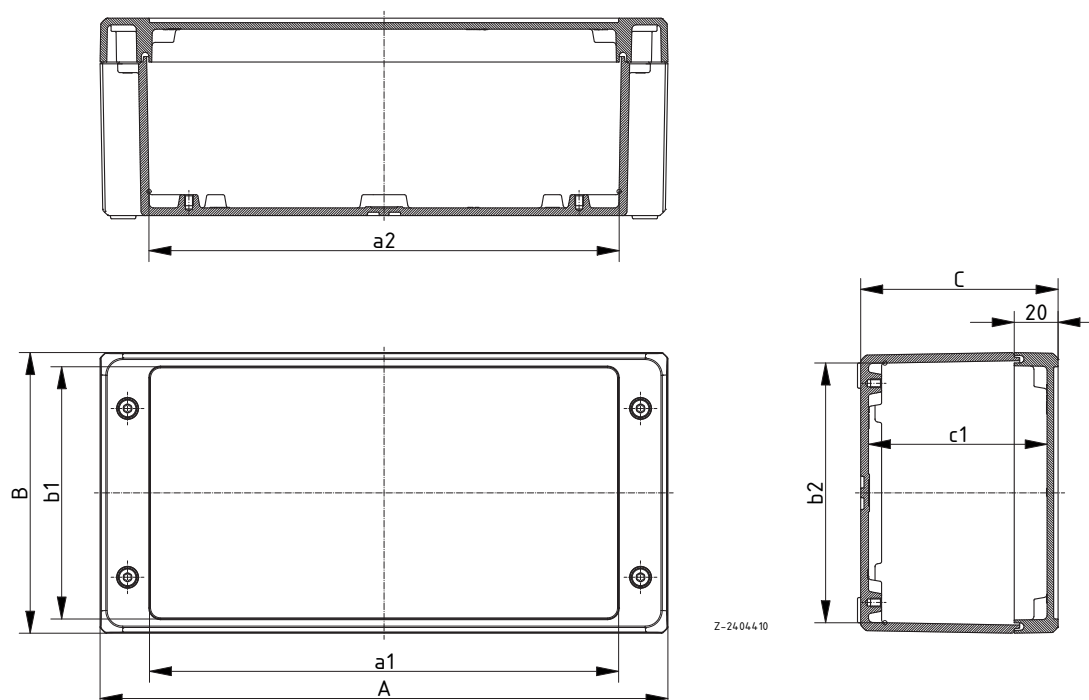
Scope Of Delivery: Lid and base, lid screws (V2A), earthing screws



Enclosure with membrane lid, graphite grey, screwed, with silicone lid seal

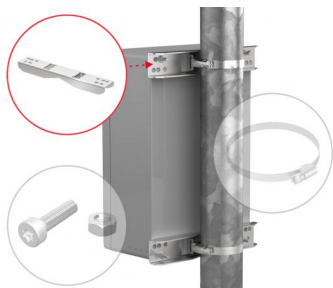
Model	Order no.	A	B	C	a1	a2	b1	b2	c1
BA-S 100806 F SIL-7024	00162124.SIL*	121	86	60	75.5	77.5	72.5	77.5	51.5
BA-S 140806 F SIL-7024	00163124.SIL*	159	86	60	113.5	115.5	72.5	77.5	51.5
BA-S 141306 F SIL-7024	00163224.SIL*	159	128	60	113.5	114.5	114.5	118.5	51.5
BA-S 141309 F SIL-7024	00163234.SIL*	159	128	90	113.5	114.5	114.5	118.5	81.5
BA-S 180806 F SIL-7024	00164124.SIL*	199	86	60	153.5	155.5	72.5	77.5	51.5
BA-S 180809 F SIL-7024	00164134.SIL*	199	86	90	153.5	155.5	72.5	77.5	81.5
BA-S 241306 F SIL-7024	00165224.SIL*	259	128	60	213.5	215.5	114.5	119.5	51.5
BA-S 241309 F SIL-7024	00165234.SIL*	259	128	90	213.5	214.5	114.5	118.5	81.5
BA-S 281706 F SIL-7024	00166324.SIL*	299	173	60	253.5	255.5	159.5	164.5	51.5
BA-S 281709 F SIL-7024	00166334.SIL*	299	173	90	253.5	254.5	159.5	163.5	81.5

Scope Of Delivery: Lid and base, lid screws (V2A), earthing screws



Bocube Alu

Accessories



Mast mounting, stainless steel V2A, uncoated

Model	Order no.
MH 080	96500080
MH 122	96500122
MH 167	96500167
MH 220	96500220
MH 265	96500265

Scope Of Delivery: MH: 1 set (2 pieces) BFS: 20 pieces

Notes: Please order the assembly kit and mast clamp as per the table.

Verwendung der Mastbefestigung für Bocube Alu
Use of the mast mounting for Bocube Alu

Bitte wählen Sie anhand dieser Tabelle je nach Größe und Ausrichtung des Gehäuses die passende Mastbefestigung und den dazugehörigen Befestigungsatz aus.

Please use this table to select the appropriate mast mounting and the associated mounting kit, depending on the size and alignment of the enclosure.

Ausrichtung des Gehäuses / Alignment of the enclosure:
H = horizontal V = vertical

Gehäuse Enclosure	Mastbefestigung Mast mounting	Befestigungsatz Mounting kit
BA 12080 V	= MH 080	• BFS MH 2
BA 14080 H	= MH 167	• BFS MH 2
BA 14080 V	= MH 080	• BFS MH 2
BA 14130 H	= MH 122	• BFS MH 2
BA 14130 V	= MH 122	• BFS MH 2
BA 14130 H	= MH 167	• BFS MH 2
BA 14130 V	= MH 122	• BFS MH 2
BA 16080 H	= MH 220	• BFS MH 2
BA 16080 V	= MH 080	• BFS MH 2
BA 16080 H	= MH 220	• BFS MH 2
BA 16080 V	= MH 080	• BFS MH 2
BA 18080 H	= MH 220	• BFS MH 2
BA 18080 V	= MH 080	• BFS MH 2
BA 24130 V	= MH 122	• BFS MH 2
BA 24130 H	= MH 220	• BFS MH 2
BA 24130 V	= MH 122	• BFS MH 2
BA 28170 V	= MH 167	• BFS MH 2
BA 28170 V	= MH 167	• BFS MH 2

Stand 23.03.2021



Assembly kit for mast mounting

Model	Order no.	Note
BFS MH 1	96500001	Fixing kit
BFS MH 2	96500002	Fixing kit
BFS MH 3	96500003	Fixing kit

Scope Of Delivery: 20 pieces (for 5 sets of mast mountings)

Notes: Details of the matching mast mounting for each enclosure size and the accompanying assembly kit can be found in the table (see "Product information").



Clamp for mast mounting, stainless steel

Model	Order no.	Note
MH S 32-50	96500050	Terminal area 32-50 mm
MH S 50-70	96500070	Terminal area 50-70 mm
MH S 70-90	96500090	Terminal area 70-90 mm
MH S 90-110	96500110	Terminal area 90-110 mm
MH S 110-130	96500130	Terminal area 110-130 mm
MH S 130-150	96500150	Terminal area 130-150 mm
MH S 150-170	96500175	Terminal area 150-170 mm
MH S 170-190	96500190	Terminal area 170-190 mm
MH S 190-210	96500210	Terminal area 190-210 mm

Scope Of Delivery: 10 pieces



BOPLA

A Phoenix Mecano Company

Verwendung der Mastbefestigung für Bocube Alu Use of the mast mounting for Bocube Alu

Bitte wählen Sie anhand dieser Tabelle je nach Größe und Ausrichtung des Gehäuses die passende Mastbefestigung und den dazugehörigen Befestigungssatz aus.

Please use this table to select the appropriate mast mounting and the associated mounting kit, depending on the size and alignment of the enclosure.

Ausrichtung des Gehäuses / Alignment of the enclosure :

H = horizontal

V = vertical

Gehäuse Enclosure		Mastbefestigung Mast mounting		Befestigungssatz Mounting kit
BA 100806 V	=	MH 080	+	BFS MH 2
BA 140806 H	=	MH 167	+	BFS MH 2
BA 140806 V	=	MH 080	+	BFS MH 2
BA 141306 H	=	MH 167	+	BFS MH 2
BA 141306 V	=	MH 122	+	BFS MH 2
BA 141309 H	=	MH 167	+	BFS MH 2
BA 141309 V	=	MH 122	+	BFS MH 2
BA 180806 H	=	MH 220	+	BFS MH 2
BA 180806 V	=	MH 080	+	BFS MH 2
BA 180809 H	=	MH 220	+	BFS MH 2
BA 180809 V	=	MH 080	+	BFS MH 2
BA 241306 H	=	MH 265	+	BFS MH 2
BA 241306 V	=	MH 122	+	BFS MH 2
BA 241309 H	=	MH 265	+	BFS MH 2
BA 241309 V	=	MH 122	+	BFS MH 2
BA 281706 V	=	MH 167	+	BFS MH 2
BA 281709 V	=	MH 167	+	BFS MH 2

Stand 23.03.2021

H = horizontal



V = vertical



Bocube Alu

Accessories

Wall brackets

Model	Order no.	Colour	Note
BA WL 08 - 7035	00500105	Light grey	For BA ..08..
BA WL 08 - 7024	00500104	Graphite grey	For BA ..08..
BA WL 13 - 7035	00500205	Light grey	For BA ..13..
BA WL 13 - 7024	00500204	Graphite grey	For BA ..13..
BA WL 17 - 7035	00500305	Light grey	For ..17..
BA WL 17 - 7024	00500304	Graphite grey	For ..17..



Scope Of Delivery: 2 wall brackets, 4 screws

Quick-release fastener

Model	Order no.	Colour	Note
BA 08 SV-7035	00430105	Light grey	For BA ..08..
BA 13 SV-7035	00430205	Light grey	For BA ..13..
BA 17 SV-7035	00430305	Light grey	For ..17..
BA 08 SV-C-0	00430109	anodized	For BA ..08..
BA 13 SV-C-0	00430209	anodized	For BA ..13..
BA 17 SV-C-0	00430309	anodized	For ..17..



Scope Of Delivery: Quick-release fastener

Notes: IP ingress protection (max. IP 66 / IP 67) is only guaranteed when the quick-release fastener is closed! This replaces the screw and cover method of closure. Impact resistance IK 07 acc. to IEC 62262 (max. IP66 / IP67)

Handle set for Bocube Alu, aluminium, powder-coated, silver

Model	Order no.	Note
BA GR 08-9006	00510106*	For BA ..08..
BA GR 13-9006	00510206*	For BA ..13..
BA GR 17-9006	00510306*	For ..17..

Scope Of Delivery: 2 handles including mounting material

Notes: Processing of the enclosure and mounting on request.



Pressure compensation membrane DAE

Model	Order no.	Note
DAE-D11	52011000	Self-adhesive membrane ø 11 mm

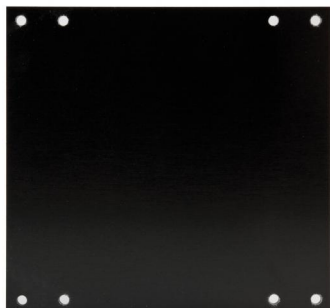
Scope Of Delivery: 5 pieces

Notes: Air, which may create a vacuum in the enclosure when it cools, can suck in water etc. through the seal into the enclosure, which means that ingress protection can no longer be guaranteed. BOPLA's product range includes the pressure compensation element to compensate such variations in pressure caused by differences in temperature. Processing of the enclosure and mounting on request.



Bocube Alu

Accessories



Mounting panels, laminated paper, 2 mm

Model	Order no.	Note
BA MH 1008	00602100	For BA 1008..
BA MH 1408	00603100	For BA 1408..
BA MH 1413	00603200	For BA 1413..
BA MH 1808	00604100	For BA 1808..
BA MH 2413	00605200	For BA 2413..
BA MH 2817	00606300	For BA 2817..

Scope Of Delivery: 1 mounting panel



DIN rails DIN EN 60715 TH 15, galvanised steel

Model	Order no.	Note
TS 15	22150702	For BA 1008..
TS 15	22151102	For BA 1408.., BA 1413..
TS 15	22151502	For BA 1808..
TS 15	22151902	For BA 2413..
TS 15	22152302	For BA 2817..

Scope Of Delivery: 1 DIN rail



DIN rails DIN EN 60715 G 32, galvanised steel

Model	Order no.	Note
TS 32	22320702	For BA 1008..
TS 32	22321102	For BA 1408.., BA 1413..
TS 32	22321502	For BA 1808..
TS 32	22321902	For BA 2413..
TS 32	22322302	For BA 2817..

Scope Of Delivery: 1 DIN rail



DIN rails DIN EN 60715 TH 35, galvanised steel

Model	Order no.	Note
TS 35	22350702	For BA 1008..
TS 35	22351102	For BA 1408.., BA 1413..
TS 35	22351502	For BA 1808..
TS 35	22351902	For BA 2413..
TS 35	22352302	For BA 2817..

Scope Of Delivery: 1 DIN rail



BOPLA

A Phoenix Mecano Company