

FSMRAJ Series *Micro Miniature Pushbuttons with Tactile Feel "Right Angle"*

MATERIAL SPECIFICATIONS:

ContactsCopper alloy, silver plate
 Case.....Polyamide
 Actuator ButtonPolyacetal Resin
 FrameCopper alloy, tin plate
 TerminalsCopper alloy, silver plate

TYPICAL PERFORMANCE CHARACTERISTICS:

Contact Rating50 mA @ 12 VDC
 Initial Contact Resistance.....100 Milliohms max.
 Insulation Resistance100 Megohms min. @ 100 VDC
 Dielectric Strength250 VAC
 Actuation ForceSee Below
 Actuator Travel012" (0,3)
 Life Expectancy100,000 Cycles

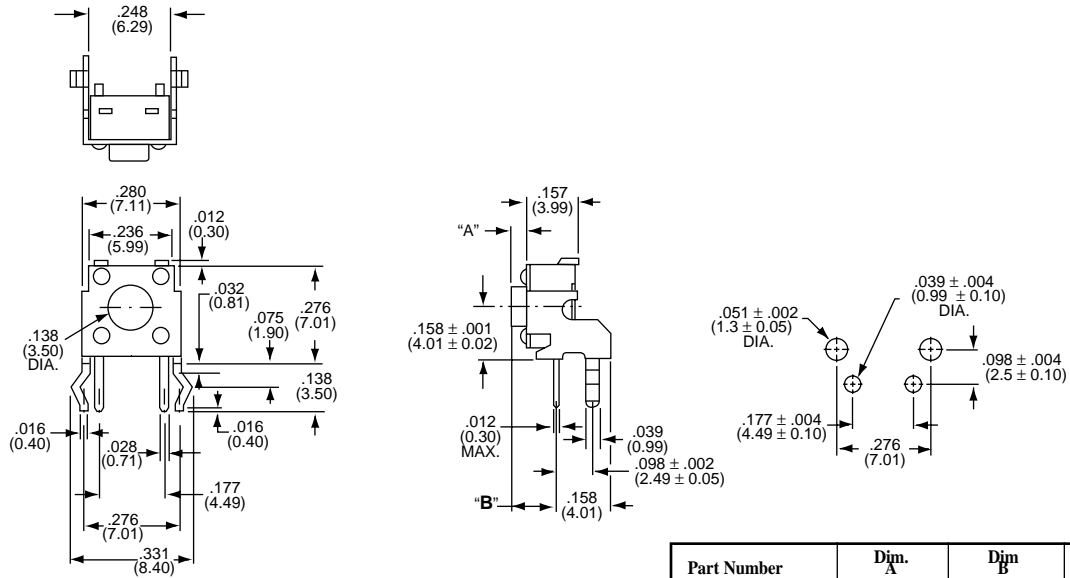
ENVIRONMENTAL SPECIFICATIONS

Operating Temperature.....-4°F to +158°F (-20°C to +70°C)
 Storage Temperature.....-22°F to +176°F (-30°C to +80°C)
 Solder Heat Resistance.....See Page M6

D



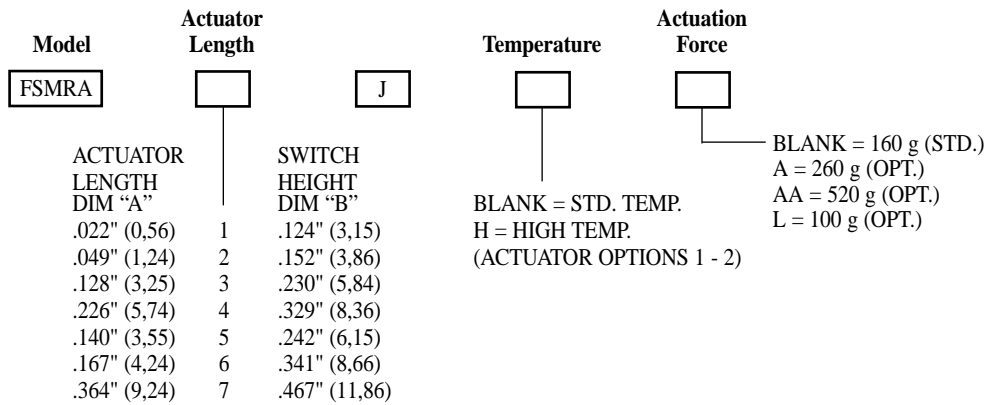
FSMRA1J



Type	Off	(On)
SPST		
	(On) indicates momentary position.	

Part Number	Dim. A	Dim B	Button Color
FSMRA 1J	.022" (0,55)	.124" (3,15)	Black
FSMRA 2J	.049" (1,25)	.152" (3,86)	Black
FSMRA 3J	.128" (3,25)	.230" (5,84)	Blue
FSMRA 4J	.226" (5,74)	.329" (8,36)	Black
FSMRA 5J	.140" (3,55)	.242" (6,15)	Ivory
FSMRA 6J	.167" (4,25)	.341" (8,66)	White
FSMRA 7J	.364" (9,25)	.467" (11,86)	Black

PART NUMBERING SEQUENCE



CONSULT FACTORY FOR OTHER OPTIONS

Thomas & Betts

Quality & Innovation From **AUGAT** Name Brand Products

D6

Thomas & Betts
 8155 T&B Blvd.
 Memphis, TN 38125
 (901) 252-5000 FAX (901) 252-1380

Micro Miniature Pushbuttons **FSMRAJ Series** "Horizontal Gang"

MATERIAL SPECIFICATIONS:

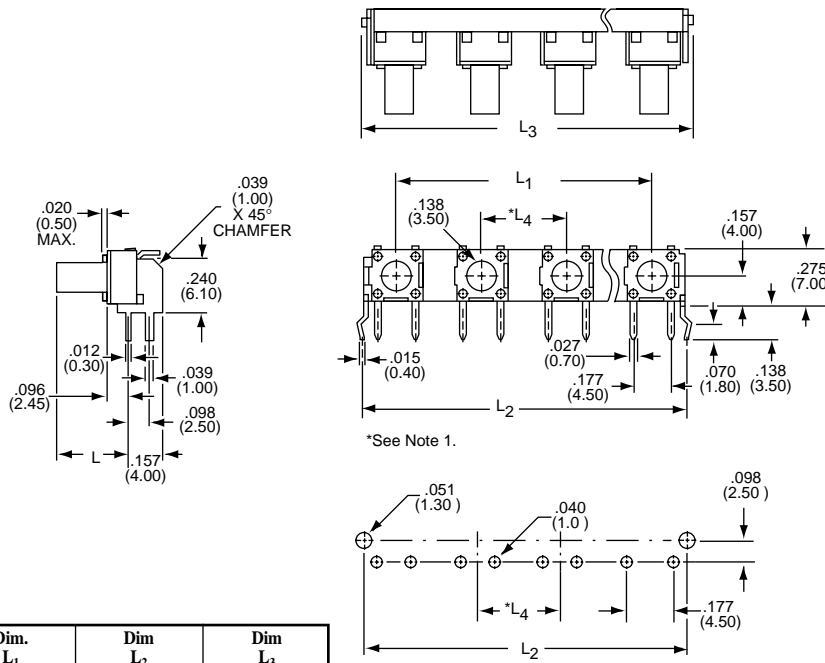
ContactsCopper alloy, silver plate
 Case.....Polyamide
 Actuator ButtonPolyacetal Resin
 FrameStainless Steel
 TerminalsCopper alloy, silver plate

TYPICAL PERFORMANCE CHARACTERISTICS:

Contact Rating50 mA @ 12 VDC
 Initial Contact Resistance.....100 Milliohms max.
 Insulation Resistance100 Megohms min. @ 100 VDC
 Dielectric Strength250 VAC
 Actuation ForceSee Below
 Actuator Travel012" (0,3)
 Life Expectancy100,000 Cycles

ENVIRONMENTAL SPECIFICATIONS

Operating Temperature.....-4°F to +158°F (-20°C to +70°C)
 Storage Temperature.....-22°F to +176°F (-30°C to +80°C)
 Solder Heat Resistance.....See Page M6



D

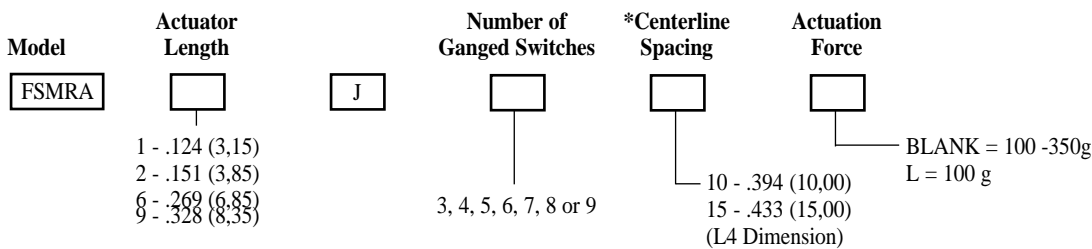
# of Positions	Dim. L ₁	Dim L ₂	Dim L ₃
3	.787" (20,00)	1.06" (27,00)	1.11" (28,19)
4	1.18" (30,00)	1.46" (37,00)	1.51" (38,35)
5	1.57" (40,00)	1.85" (47,00)	1.90" (48,26)
6	1.97" (50,00)	2.24" (57,00)	2.30" (58,42)
7	2.36" (60,00)	2.64" (67,00)	2.69" (68,32)
9	3.15" (80,00)	3.43" (87,00)	3.48" (88,40)

Type	Off	(On)
SPST	Off	(On)

(On) indicates momentary position.

*Note 1: L₄ = .394 (10,00) or .590 (15,00) Center line spacing

PART NUMBERING SEQUENCE



CONSULT FACTORY FOR OTHER OPTIONS

Need more technical information?

Consult your Thomas & Betts sales office listed on the back cover