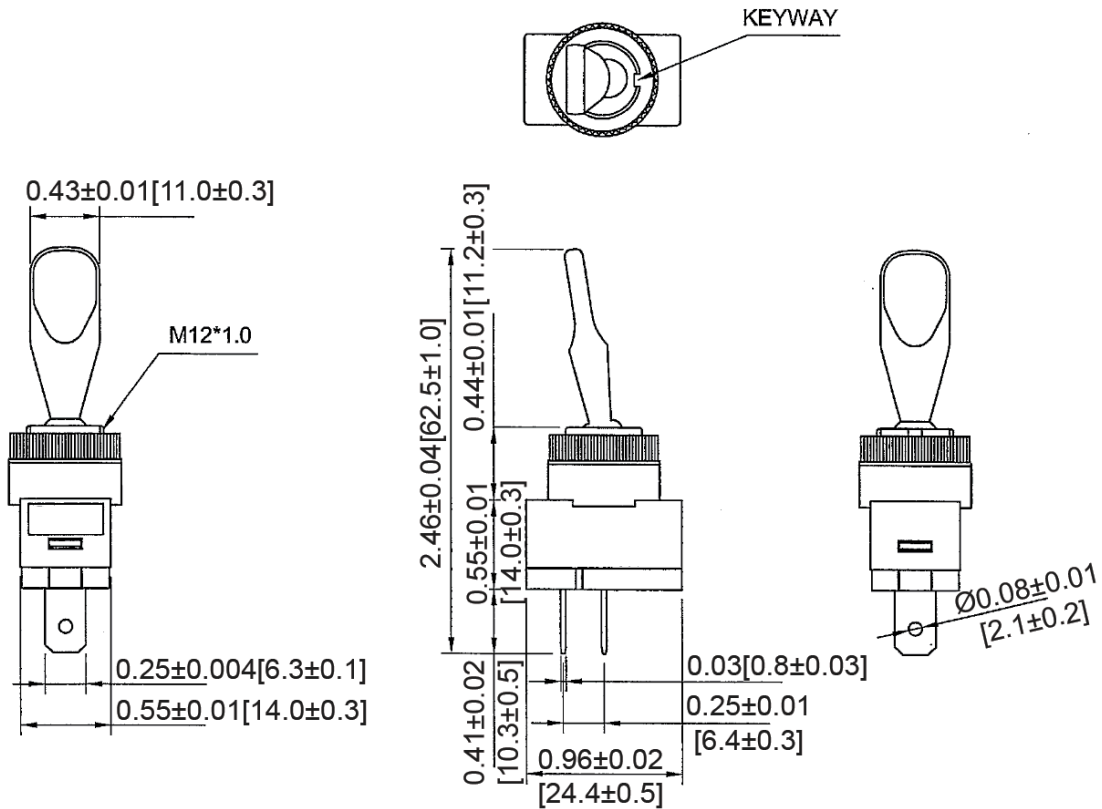
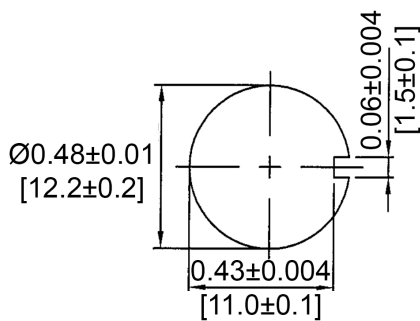


**Mechanical Dimensions: Inches [mm]**

Tolerances  $\pm 0.012$  [0.3] Unless Otherwise Specified



**Mounting Hole**



**Circuit Diagram**

3P SPDT ON-OFF-ON



**Electrical Specifications**

Rating	20A 12V DC
Contact Resistance	50m ohm Max
Insulation Resistance	DC 500V 100M ohm Min
Dielectric Strength	AC 1500V 1 minute
Operation Temperature	-25°C~85°C

**Material Specifications**

Housing	Black, PC
Actuator	Black, PC

**Rev**    **Date of issue**    **Revision Notes**

**Designed**    **Approved**

B	07-13-2021	Initial Drawing	RC	OF
---	------------	-----------------	----	----