

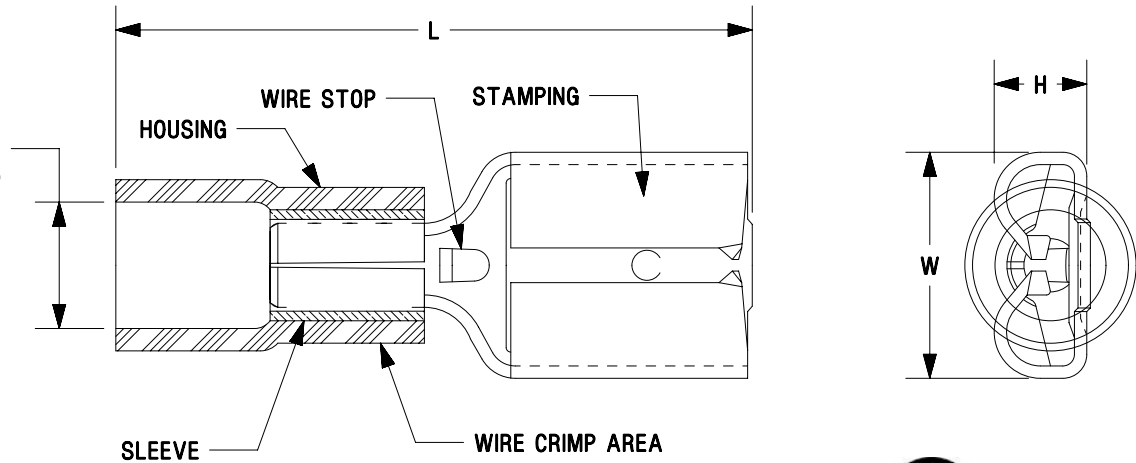
THIS COPY IS PROVIDED ON A RESTRICTED BASIS AND IS NOT TO BE USED IN ANY WAY DETRIMENTAL TO THE INTERESTS OF PANDUIT CORP.

PANDUIT PART #	TAB SIZE	WIRE RANGE		COLOR	MAX. WIRE INSULATION DIAMETER	DIMENSIONS in. [mm]		
		ENGLISH	METRIC			L ± .03 [0,8]	W ± .01 [0,3]	H ± .01 [0,3]
DV10-250	.250 X .032 [6,3 X 0,8]	12-10	4,0-6,0	YELLOW	.23 [5,8]	1.03 [26,2]	.30 [7,6]	.13 [3,3]

**NOTES:**

- USED FOR:
  - STRAINED COPPER WIRE ONLY
  - 194°F [90°C] MAX. OPERATING TEMPERATURE
  - 600 V. MAX. VOLTAGE RATING
- INSTALLATION TOOLS:
  - UL LISTED AND CSA CERTIFIED: CT-1550, CT-1551, CT-2502, CT-600A
  - PANDUIT APPROVED: CT-100A, CT-160, CT-260, CT-460
- WIRE STRIP LENGTH: 9/32"  $^{+1/32}_{-0}$  [7,1 $^{+0,8}_{-0}$ ]
- MATERIAL:
  - STAMPING: BRASS, NICKEL PLATED
  - HOUSING: VINYL
  - SLEEVE: BRASS, TIN PLATED
- SEE [www.panduit.com](http://www.panduit.com) FOR PACKAGE QUANTITIES INDICATED BY PART NUMBER SUFFIX
- DIMENSIONS IN BRACKETS ARE METRIC EQUIVALENT

MAX. WIRE INSUL. DIA. (SEE CHART)



RECOGNIZED E78522 CERTIFIED LR31212

REV	DATE	BY	CHK	APR	DESCRIPTION	ECN
07	10.01.12	JBN	LCA	VMB	ADDED METRIC EQUIVALENT. REVISED PACKAGING NOTE. UPDATED DRAWING TO CURRENT STANDARDS.	A41199

TITLE		FEMALE DISCONNECTS, VINYL INSULATED		
CUSTOMER DRAWING				
ITEM REVISION NAME		N41199BA/07		
DATASET FILE NAME		N41199BA_DC/07A		
UNLESS OTHERWISE SPECIFIED, DIMENSIONAL TOLERANCES ARE: IN [mm]		.x ± .1 [2.54]      .xxx ± .005 [0.127] .xx ± .01 [0.25]      ANGLES ± 5°		
DRAWING NUMBER:		A41199		
DRAWN BY	DATE	CHK	SCALE	SHEET 1 OF 1
FES	-	RLS	N.T.S.	A

D10100DA/12