

# Popular Type IR Detecting Unit for Remote Controls

### Features

- Holderless shape
- Compact package
- Screen type that eliminates electromagnetic induction noise(Double mold)

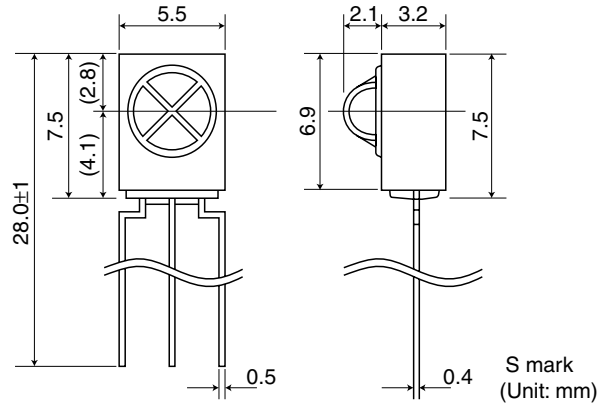
### Specifications

(Ta=25 °C, Vcc=+5 V)

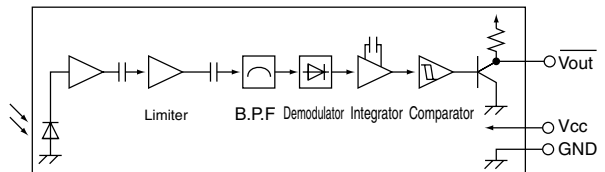
Parameter	Symbol	Characteristics	
Supply voltage	Vcc	4.5 to 5.5 V	
Dissipation current	Icc	MAX. 1.5 mA	
Output voltage	HIGH level	VOH	MIN. Vcc-0.5 V
	LOW level	VOL	MAX. 0.45 V
Detection distance	L	MIN. 8 m	
Operating temperature	Topr	-10 to +70 °C	
BPF center frequency	fo	*See the table below.	

BPF center frequency	Model
40 kHz	GP1UX50QS
36 kHz	GP1UX500QS
38 kHz	GP1UX501QS
36.7 kHz	GP1UX502QS

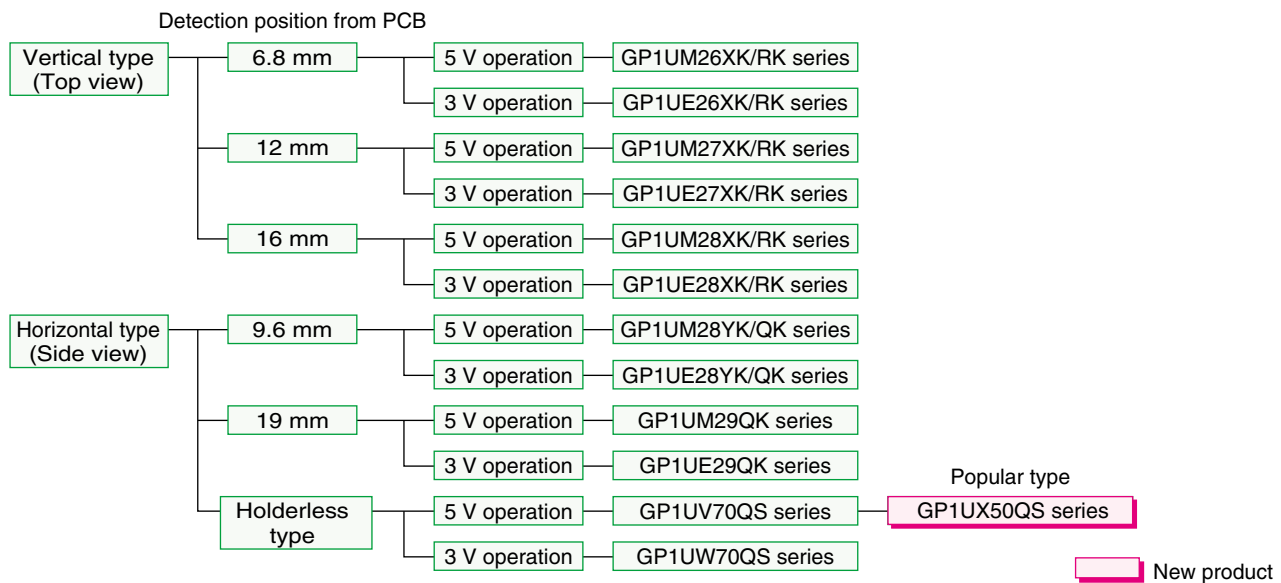
### Outline Dimensions



### Block Diagram



### Line-up of IR Detecting Units for Remote Controls



#### Notice:

- In the absence of confirmation by device specification sheets, SHARP takes no responsibility for any defects that may occur in equipment using any SHARP devices shown in catalogs, data books, etc. Contact SHARP in order to obtain the latest device specification sheets before using any SHARP devices.
- Specifications, model names and availabilities are subject to change without notice for improvement.