



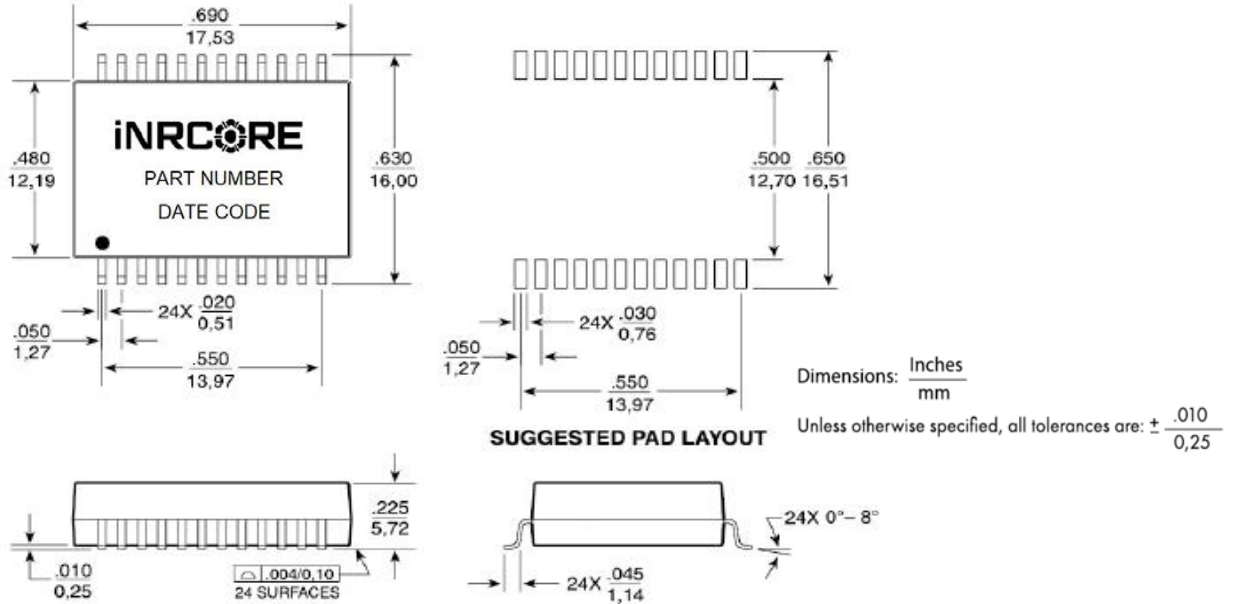
# 10/100/1000BASE-T SINGLE & DUAL PORT TRANSFORMER MODULES

Ruggedized



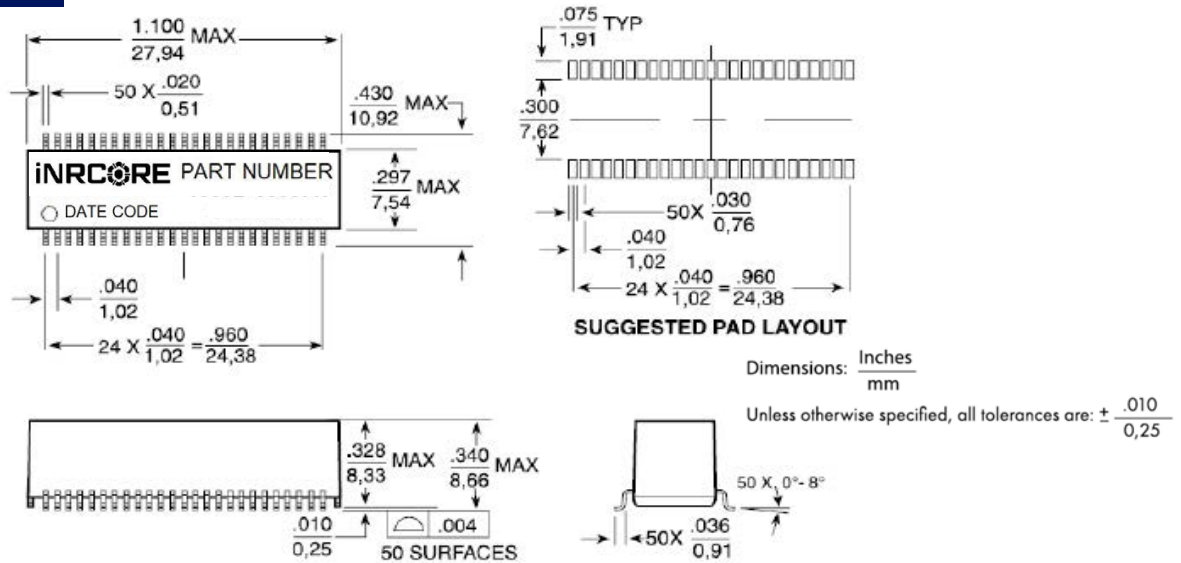
## Mechanical

1000B-5003F/X



## Mechanical

1000B-5003F/X



# 10/100/1000BASE-T SINGLE & DUAL PORT TRANSFORMER MODULES

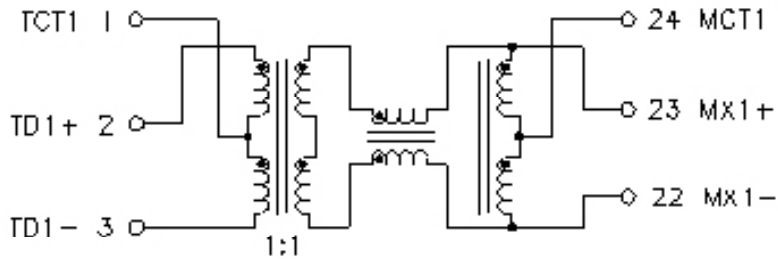
Ruggedized



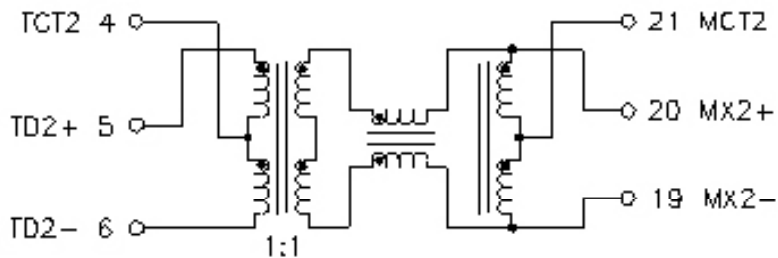
## Electrical Schematics

1000B-5003F/X

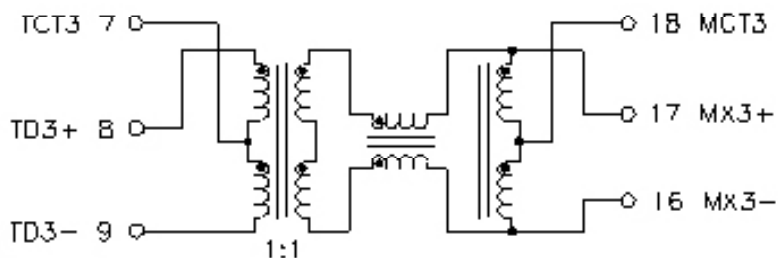
CHANNEL 1



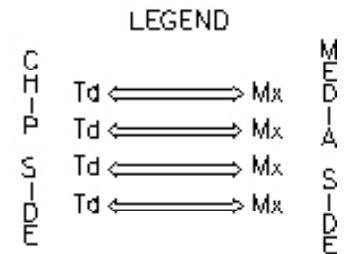
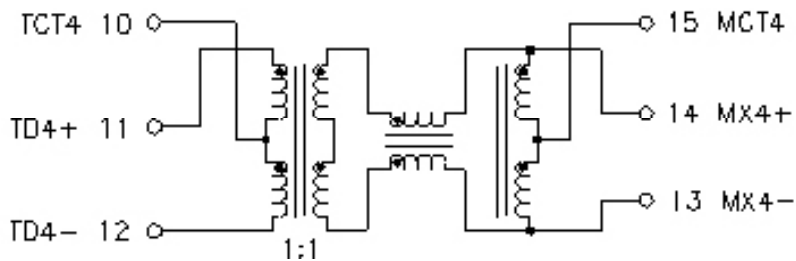
CHANNEL 2



CHANNEL 3



CHANNEL 4



ALL CHANNELS ARE IN PHASE BETWEEN INPUT AND OUTPUT



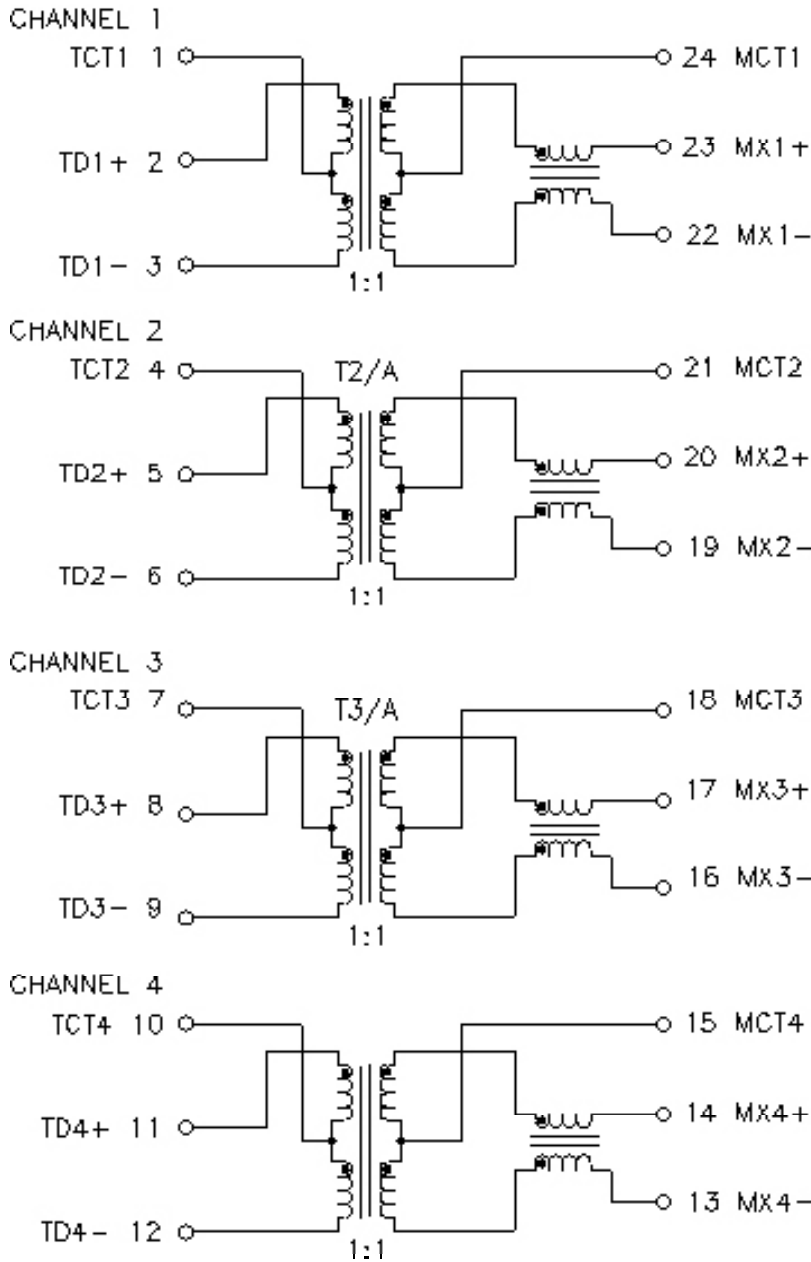
# 10/100/1000BASE-T SINGLE & DUAL PORT TRANSFORMER MODULES

Ruggedized



## Electrical Schematics

1000B-5003F/X



LEGEND

M-D-I-S-I-O-M
M-D-I-S-I-O-M

P-I-C
P-I-C

T<sub>d</sub>
M<sub>x</sub>

T<sub>d</sub>
M<sub>x</sub>

T<sub>d</sub>
M<sub>x</sub>

T<sub>d</sub>
M<sub>x</sub>

ALL CHANNELS ARE IN PHASE BETWEEN INPUT AND OUTPUT



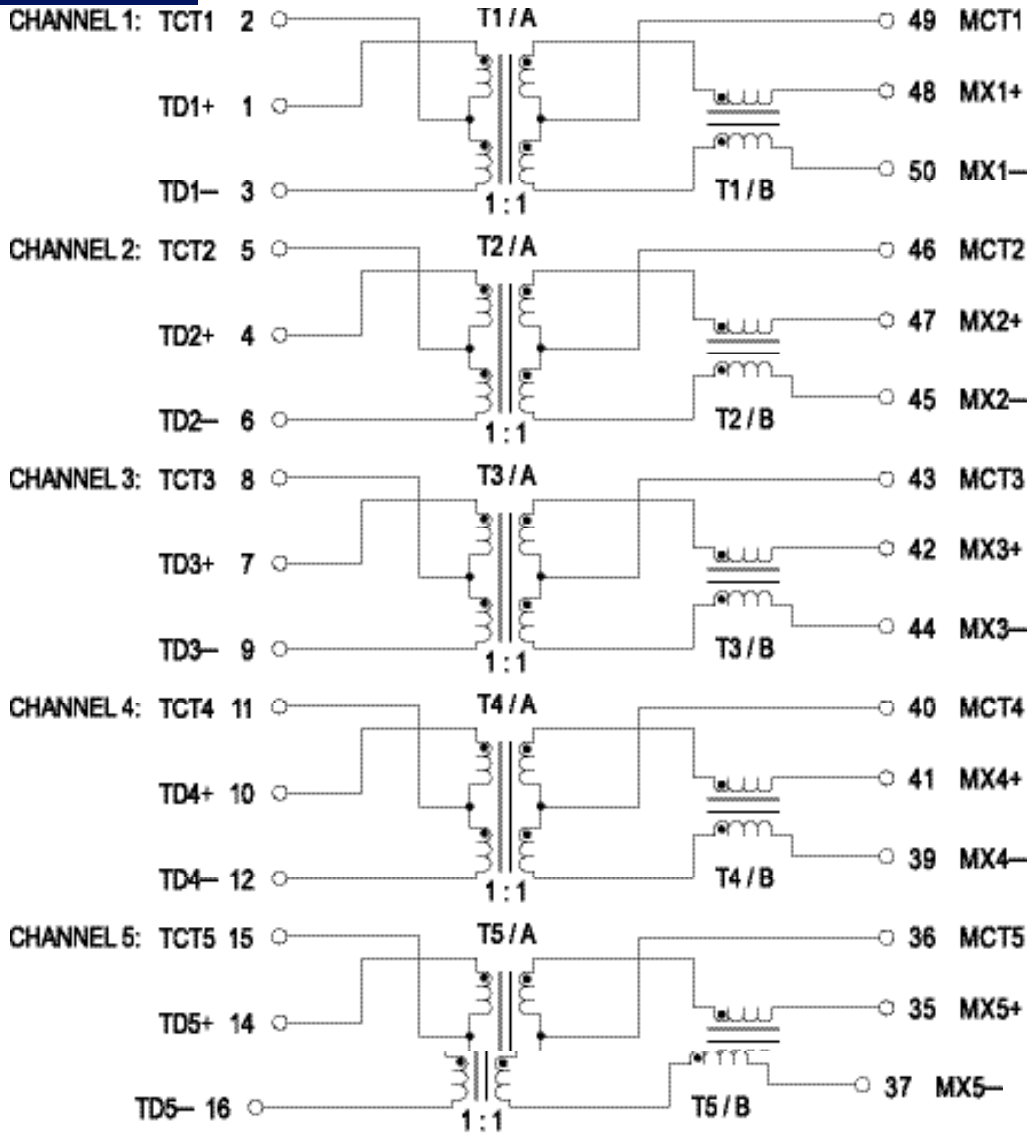
# 10/100/1000BASE-T SINGLE & DUAL PORT TRANSFORMER MODULES

Ruggedized



## Electrical Schematics

1000B-5003F/X



**LEGEND**

P-IC SIDE

MEDI A SIDE

T<sub>d</sub>

M<sub>x</sub>

ALL CHANNELS ARE IN PHASE BETWEEN INPUT AND OUTPUT

Continued on next page.



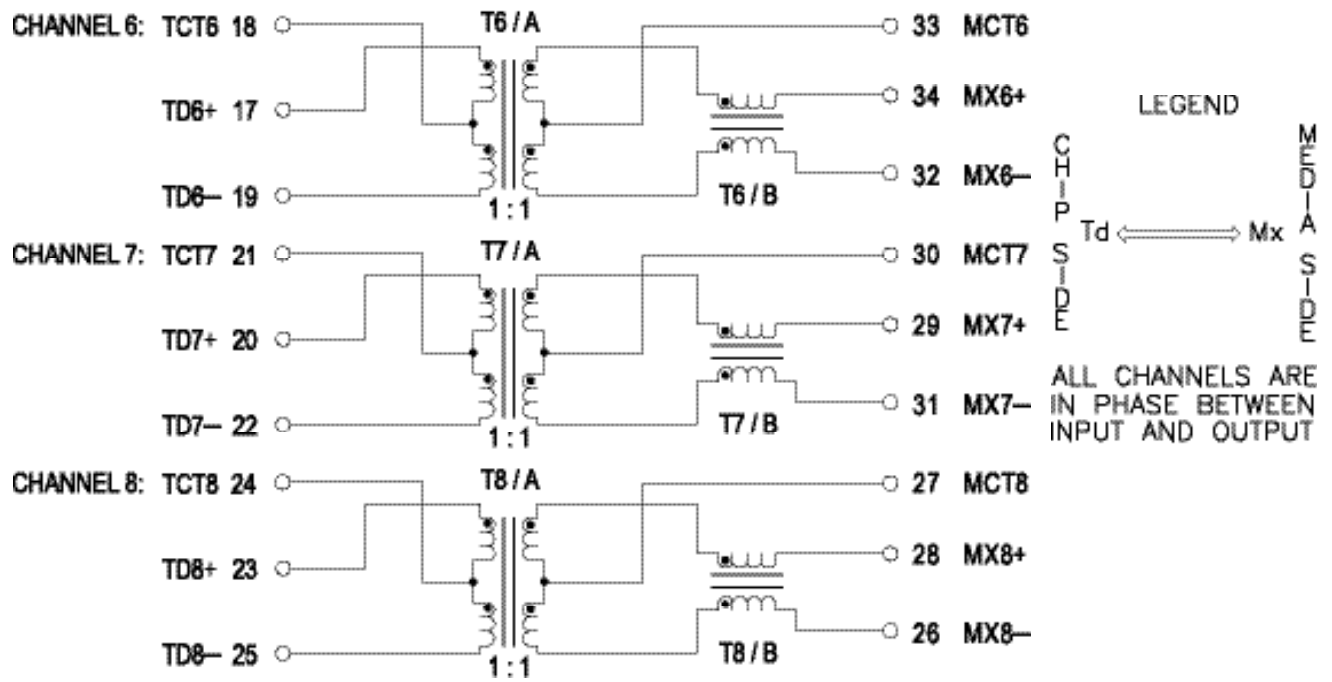
# 10/100/1000BASE-T SINGLE & DUAL PORT TRANSFORMER MODULES

Ruggedized



## Electrical Schematics

1000B-5003F/X(cont.)

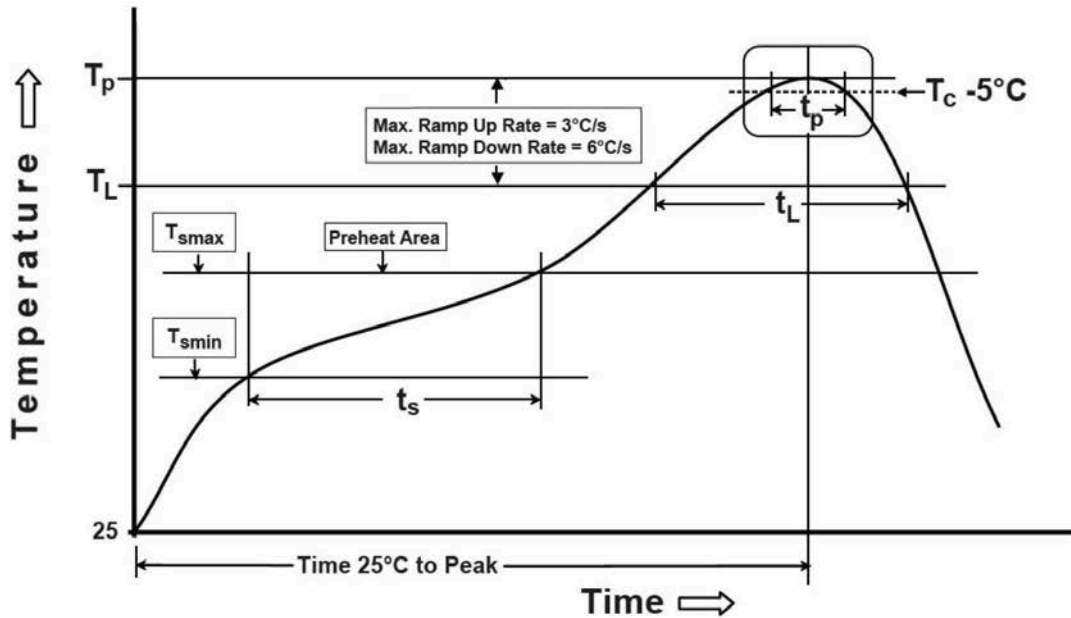


# 10/100/1000BASE-T SINGLE & DUAL PORT TRANSFORMER MODULES

Ruggedized



## Tin/Lead Recommended Reflow Profile (Based on J-STD-020D)



$T_{SMIN}$ (°C)	$T_{SMAX}$ (°C)	$T_L$ (°C)	$T_P$ (°C MAX)	$t_s$ (s)	$t_L$ (s)	$t_p$ (s MAX)	Ramp-up rate ( $T_L$ to $T_P$ )	Ramp-down rate ( $T_P$ to $T_L$ )	Time 25°C to peak temperature (s MAX)
100	150	183	235	60-120	60-150	20	3°C/s MAX	6°C/s MAX	360

Notes:

1. All temperatures measured on the package leads.
2. Maximum times of reflow cycle: 2.

### For More Information

iNRCORE, LLC  
 311 Sinclair Road Bristol,  
 PA 19007-6812 U.S.A  
 Tel: + 1.215.781.6400  
 Fax: +1.215.7816430

**Global Sales Representatives and Locations:**  
<http://www.inrcore.com>

Performance warranty of products offered on this data sheet is limited to the parameters specified. Data is subject to change without notice. Other brand and product names mentioned herein may be trademarks or registered trademarks of their respective owners. © Copyright, 2020. iNRCORE, LLC. All rights reserved.

