

Lightning arrester type 1 - FLT 50 N/PE CTRL-1.5 - 2817453

Please be informed that the data shown in this PDF Document is generated from our Online Catalog. Please find the complete data in the user's documentation. Our General Terms of Use for Downloads are valid (<http://phoenixcontact.com/download>)



Lightning current arrester with encapsulated N-PE spark gap and ignition electronics, 1-channel. Protection level 1.5 kV. Housing width: 17.5 mm (1 Div.)



Key commercial data

Packing unit	1 pc
Weight per Piece (excluding packing)	190.0 GRM
Custom tariff number	85363030
Country of origin	Germany

Technical data

Dimensions

Height	89.8 mm
Width	17.7 mm
Depth	65.5 mm
Horizontal pitch	1 Div.

Ambient conditions

Degree of protection	IP20
Ambient temperature (operation)	-40 °C ... 85 °C
Permissible humidity (operation)	≤ 95 %

General

Housing material	PA
Inflammability class according to UL 94	V0
Color	black
Standards for air and creepage distances	VDE 0110-1
	IEC 60664-1
	VDE 0675-6

Lightning arrester type 1 - FLT 50 N/PE CTRL-1.5 - 2817453

Technical data

General

	IEC 61643-1
Mounting type	DIN rail: 35 mm
Type	Rail-mountable module, one-piece
Surge protection fault message	None
Direction of action	N-PE

Protective circuit

IEC test classification	I
	T1
EN type	T1
Nominal voltage U_N	230 V AC
Maximum continuous operating voltage U_C (N-PE)	260 V AC
Nominal frequency f_N	50 Hz
	60 Hz
Residual current I_{PE}	$\leq 20 \mu A$
Operating effective current I_C at U_N	$\leq 20 \mu A$
Nominal discharge current I_n (8/20) μs	50 kA
Nominal discharge current I_n (8/20) μs (N-PE)	50 kA
Impulse discharge current (10/350) μs charge	25 As
Impulse discharge current (10/350) μs , specific energy	625 kJ/ Ω
Impulse discharge current (10/350) μs , peak value I_{imp}	50 kA
100% lightning impulse sparkover voltage (1.2/50) μs	≤ 1.5 kV
Voltage protection level U_p	≤ 1.5 kV
Voltage protection level U_p (N-PE)	≤ 1.5 kV
Response time	≤ 100 ns
Response time (N-PE)	≤ 100 ns
Short-circuit current self-quenching	500 A (260 V AC)
Follow current quenching capacity I_f (N-PE)	500 A

Connection, protective circuit

Connection method	Screw connection
Connection type IN	Biconnect screw terminal block
Connection type OUT	Biconnect screw terminal block
Connection method	Biconnect terminal block
Screw thread	M5
Tightening torque	4.5 Nm
Stripping length	14.5 mm
Conductor cross section stranded min.	0.5 mm ²

Lightning arrester type 1 - FLT 50 N/PE CTRL-1.5 - 2817453

Technical data

Connection, protective circuit

Conductor cross section stranded max.	25 mm ²
Conductor cross section solid min.	0.5 mm ²
Conductor cross section solid max.	35 mm ²
Conductor cross section AWG/kcmil min.	20
Conductor cross section AWG/kcmil max	2

Standards and Regulations

Standards/regulations	IEC 61643-1 1998
	E DIN VDE 0675-6 1989
	E DIN VDE 0675-6/A1 1996
	E DIN VDE 0675-6/A2 1996
	IEC 61312-1 1995

Classifications

eCl@ss

eCl@ss 4.0	27140201
eCl@ss 4.1	27140201
eCl@ss 5.0	27140201
eCl@ss 5.1	27140201
eCl@ss 6.0	27140201
eCl@ss 7.0	27140201
eCl@ss 8.0	27140201

ETIM

ETIM 2.0	EC000381
ETIM 3.0	EC000381
ETIM 4.0	EC000381
ETIM 5.0	EC000381

UNSPSC

UNSPSC 6.01	30212010
UNSPSC 7.0901	39121610
UNSPSC 11	39121610
UNSPSC 12.01	39121610
UNSPSC 13.2	39121620

Lightning arrester type 1 - FLT 50 N/PE CTRL-1.5 - 2817453

Approvals

Approvals

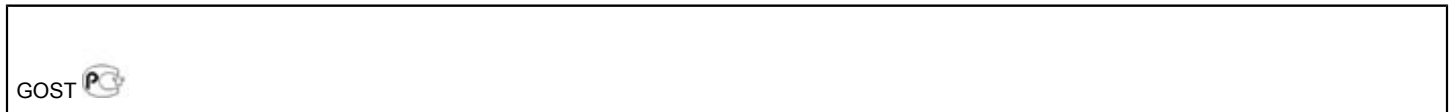
Approvals

GOST

Ex Approvals

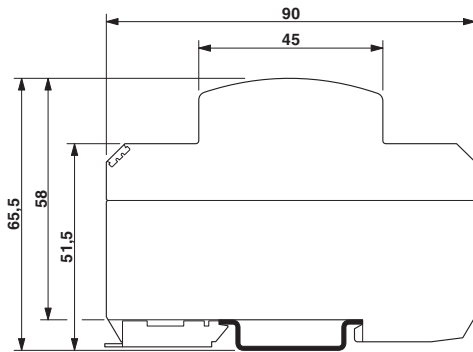
Approvals submitted

Approval details

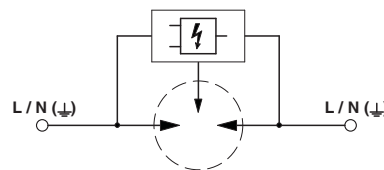


Drawings

Dimensioned drawing



Circuit diagram



Lightning arrester type 1 - FLT 50 N/PE CTRL-1.5 - 2817453

Catalog photo

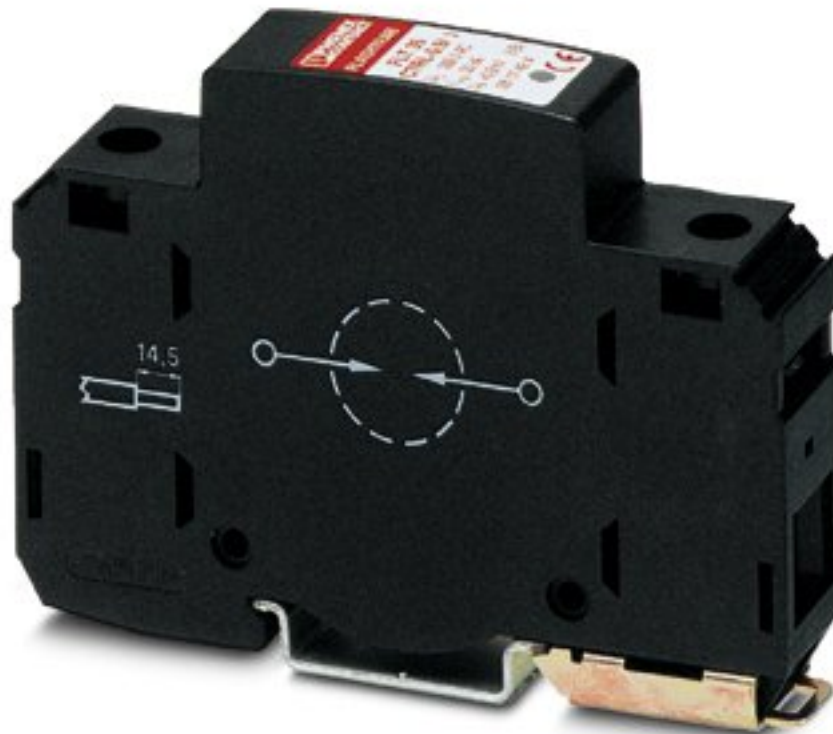


Figure may contain other products.

Phoenix Contact 2014 © - all rights reserved
<http://www.phoenixcontact.com>