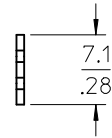
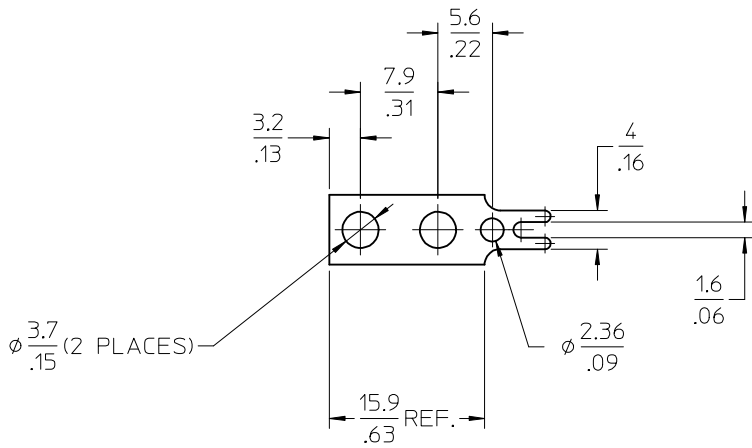
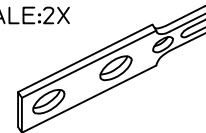


AUX.VIEW  
SCALE:2X



NOTES:

1. MATERIAL: SEE TABLE
2. FINISHES: SEE TABLE
3. PRODUCT SPECIFICATION: NOT REQUIRED
4. MATES WITH: NONE

1	1	TERMINAL	BRASS	TIN PLATED
ITEM	QTY.	DESCRIPTION	MATERIAL	FINISH

tb\_frame\_B  
rev. B1 2000/08/01

8 7 6 5 4 3 2 1

EC NO: NEO2004-0505 DRWN:RSTONE 2004/02/03 CHKD:RK 2004/02/10 APPR:GROBERTS2004/02/16	DESCRIPTION A	QUALITY SYMBOLS	GENERAL TOLERANCES (UNLESS SPECIFIED)	SCALE 2:1	DESIGN UNITS INCH	THIRD ANGLE PROJECTION	REVISE ON CAD ONLY																
		▽ - 0 ∇ - 0	<table border="1"> <tr> <th></th> <th>mm</th> <th>INCH</th> </tr> <tr> <td>4 PLACES</td> <td>± ---</td> <td>± .0015</td> </tr> <tr> <td>3 PLACES</td> <td>± 0.038</td> <td>± .005</td> </tr> <tr> <td>2 PLACES</td> <td>± 0.13</td> <td>± .01</td> </tr> <tr> <td>1 PLACE</td> <td>± 0.3</td> <td>± ---</td> </tr> </table>		mm	INCH	4 PLACES	± ---	± .0015	3 PLACES	± 0.038	± .005	2 PLACES	± 0.13	± .01	1 PLACE	± 0.3	± ---	DIMENSION STYLE MM/IN		TITLE		
				mm	INCH																		
			4 PLACES	± ---	± .0015																		
3 PLACES	± 0.038	± .005																					
2 PLACES	± 0.13	± .01																					
1 PLACE	± 0.3	± ---																					
ANGULAR ±1/2°			DRAWN BY R.STONE	DATE 08-14-03	TERMINAL, SOLDER TAB CAT.#141																		
DRAFT WHERE APPLICABLE MUST REMAIN WITHIN DIMENSIONS			CHECKED BY RK	DATE 2-5-04	MOLEX INCORPORATED																		
			APPROVED BY GHR	DATE 2-26-04	MATERIAL NO. 380020204	DOCUMENT NO. SD-38002-006	SHEET NO. 1 OF 1																
THIS DRAWING CONTAINS INFORMATION THAT IS PROPRIETARY TO MOLEX INCORPORATED AND SHOULD NOT BE USED WITHOUT WRITTEN PERMISSION																							

B