

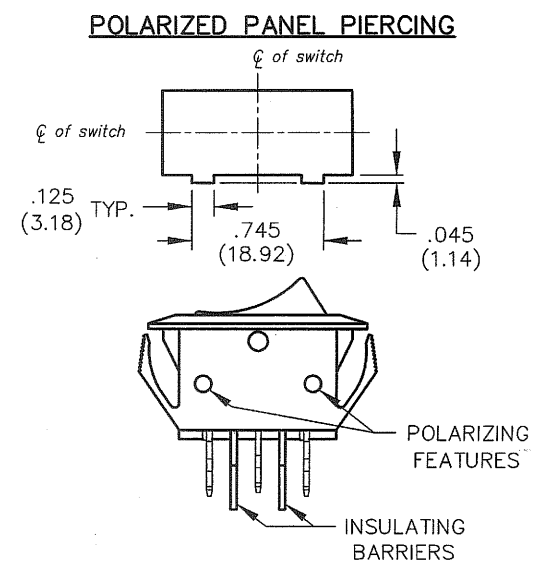
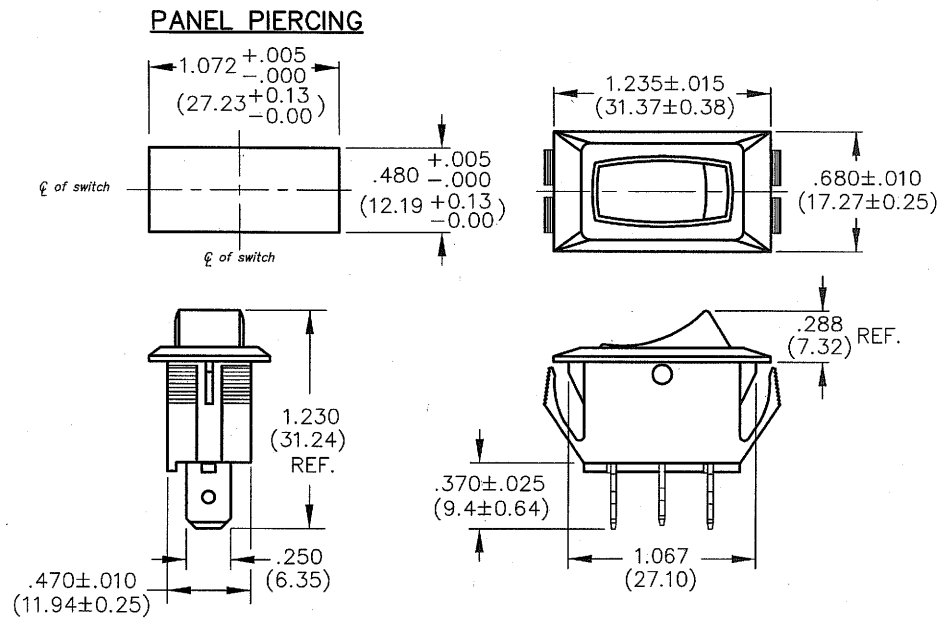
F
 D
 C
 B
 A

THIS INFORMATION IS CONFIDENTIAL AND PROPRIETARY TO CW INDUSTRIES INCORPORATED AND ITS AFFILIATES. IT MAY NOT BE DISCLOSED TO ANYONE OTHER THAN CW INDUSTRIES PERSONNEL, WITHOUT WRITTEN AUTHORIZATION FROM CW INDUSTRIES INCORPORATED, SOUTHAMPTON, PENNSYLVANIA USA.

DIMENSIONS IN INCHES (MILLIMETERS) Dwg. No.
 DO NOT SCALE DRAWING GRS-2012-3XXX

PANEL THICKNESS
 .025" to .180"
 (0.64mm to 4.57mm)

OPTIONS:



TERMINAL OPTIONS:

.250" Wide Terminal is standard as Shown in drawing.
 .187" Wide Terminal is optional.

1 2 3 4 5 6 7 8 9 10

B-FORMAT 2002
REVISIONS
 RELEASED: 7-06-2010
 DGW
JUL 28 2010

PDF FILE MADE	CW INDUSTRIES		Title: ROCKER SWITCH NARROW BODY ASSEMBLY S.P.D.T. WITH OPTIONS 1.072" x .480" PANEL
	Southampton, Pa. 18966		
	TOLERANCES UNLESS OTHERWISE SPECIFIED		
	2 Place Decimal $\pm .010$	METRIC	1 Place Dec. $\pm .25\text{mm}$
3 Place Decimal $\pm .005$		2 Place Dec. $\pm .13\text{mm}$	
Angles	$\pm 1'$		
Made for: CW IND.	Division: SWITCH		
Drawn by: DGW 7-06-2010	Dwg. No. GRS-2012-3XXX		
Checked by: G. Guld 7-26-10			
Approval: G. Guld 7-26-10			

MASTER