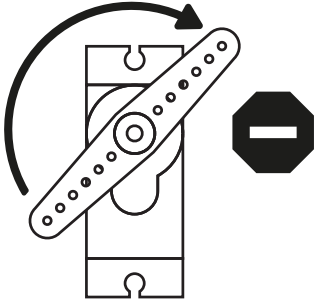


ASSEMBLING THE KLAW

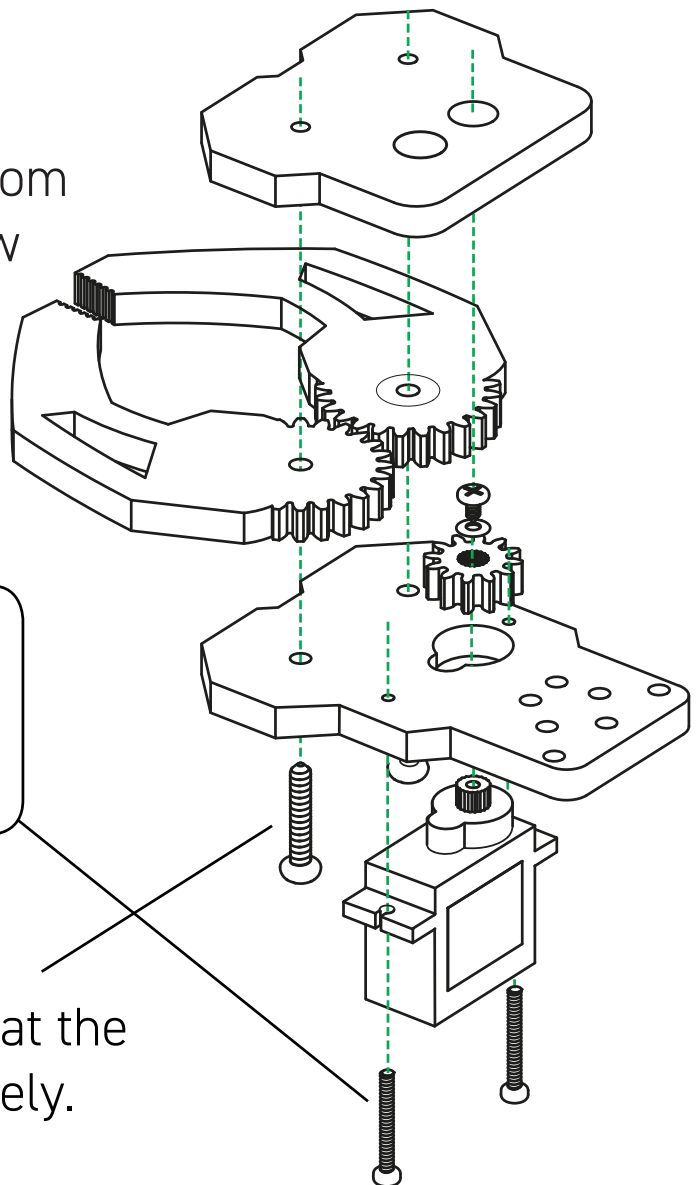
1



Connect a horn to the servo axle and gently rotate clockwise until it stops. Then rotate back an 1/8 turn.

2

Remove the horn from the servo and follow the diagram to assemble the rest of your Klaw.



Take care not to damage the servos wires when tightening these screws!

3

Check these screws are loose enough that the claws can rotate freely.

Kitronik