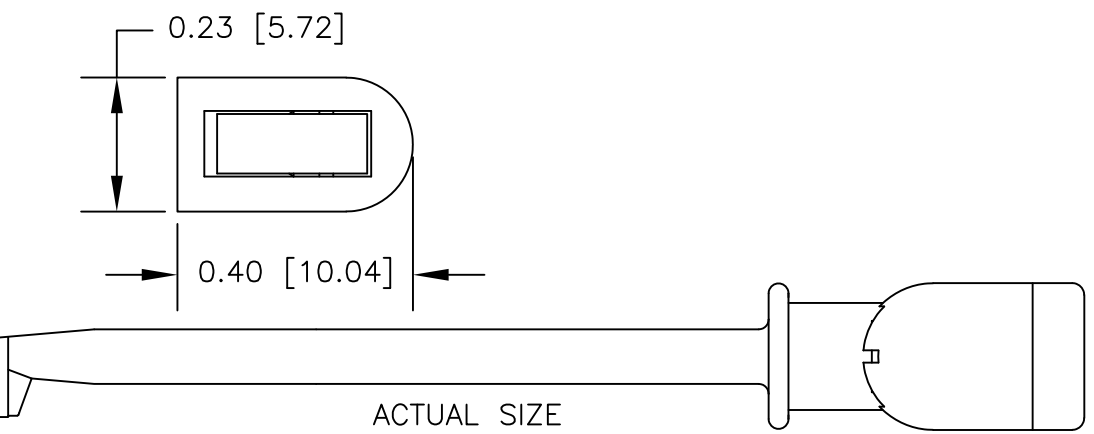
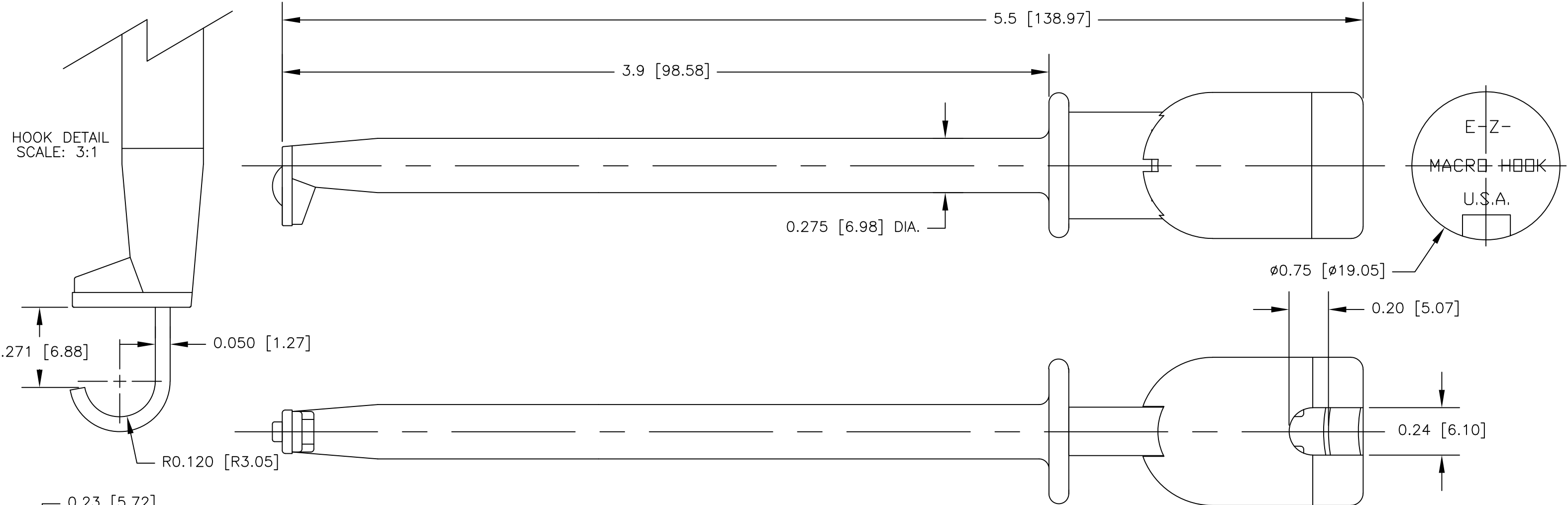
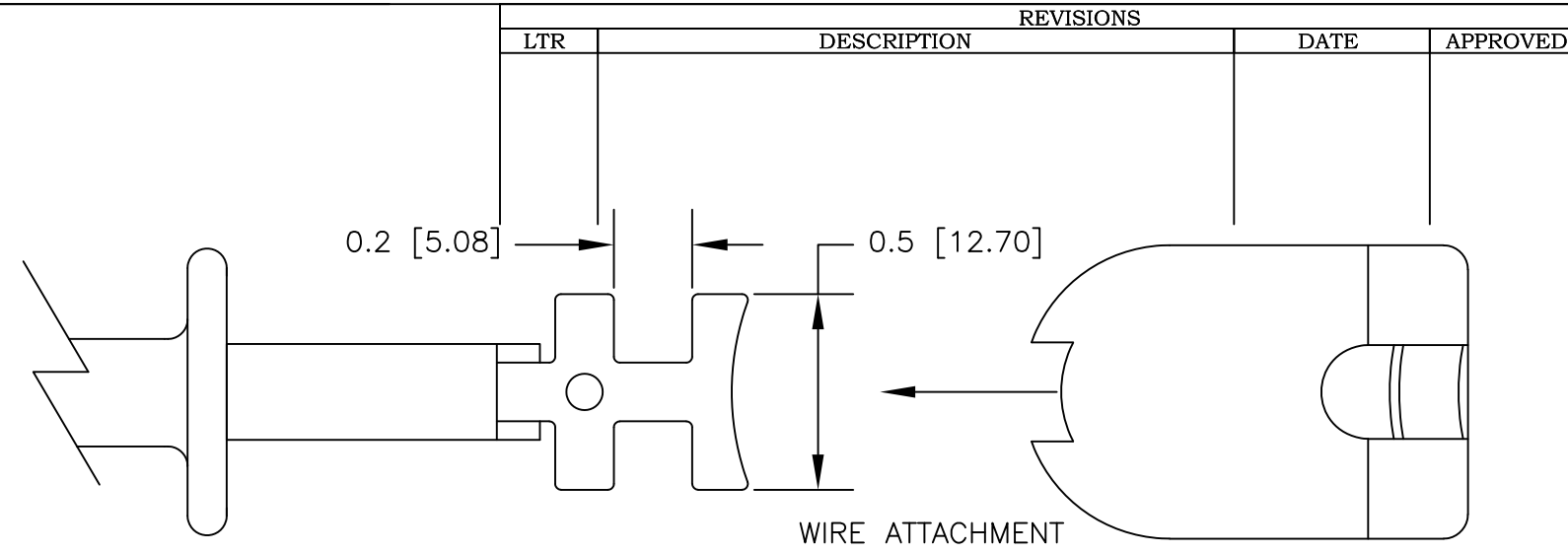


NOTES: UNLESS OTHERWISE SPECIFIED

- CONSTRUCTION:
HOUSING & PLUNGER: MOLDED NYLON. AVAILABLE IN TEN COLORS.
CONTACT BLADE: NICKEL SILVER.
SPRING: STAINLESS STEEL.
- PERFORMANCE:
MAXIMUM CURRENT: 10.9 AMPS WITH A 76° TEMPERATURE RISE.
MAXIMUM VOLTAGE: 2.4 KV
MAXIMUM TEMPERATURE: 200°F (93°C)
- FEATURES:
HOOK FITS COMPONENTS UP TO $\varnothing 0.250$ [$\varnothing 6.35$].
FIELD SERVICEABLE.



		UNLESS OTHERWISE SPECIFIED DIMENSIONS ARE IN INCHES TOLERANCES ARE: FRACTIONS DECIMALS ANGLES ± .XX ± ± .XXX ±	CONTRACT NO.	
			APPROVALS	DATE
		MATERIAL SEE NOTE.	DRAWN R.L.	6/09
		FINISH SEE NOTE.	APPROVED BY	
NEXT ASSY	USED ON			
APPLICATION		DO NOT SCALE DRAWING		

E-Z-HOOK DIVISION OF TEKTEST INC. ARCADIA, CA 91006 U.S.A.			
DESCRIPTION E-Z-MACRO HOOK TEST CONNECTOR, LONG			
SIZE	CODE IDENT NO.	DRAWING NO.	REV.
B	08505	XHL	
SCALE 2:1		SHEET 1 OF 1	