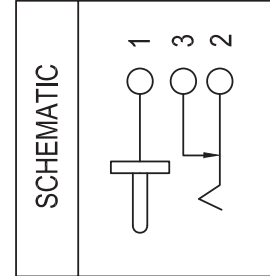
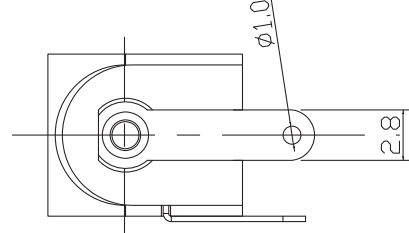
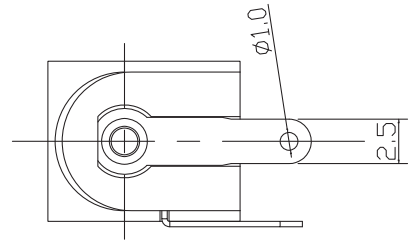
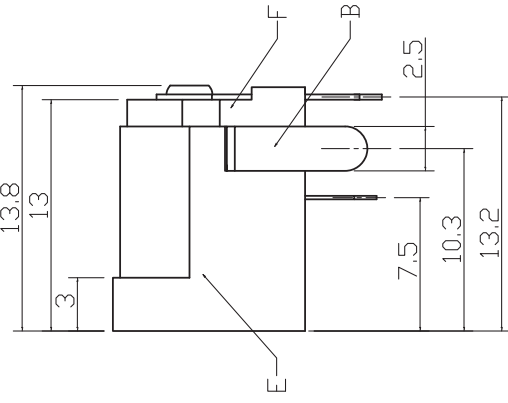
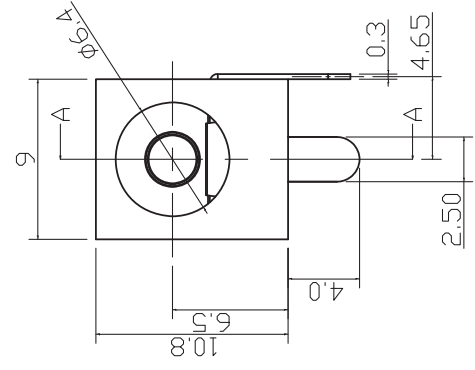


DWG. NO. JK-2457-A REV. "D"

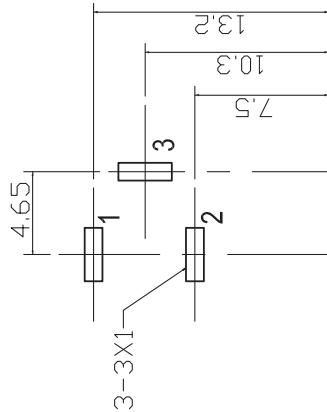
PART NO. RDJ-005X-NL



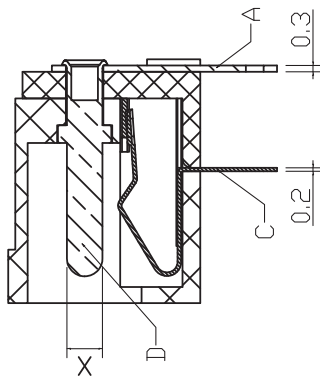
SPECIFICATION:

1. VOLTAGE RATING: DC50V
2. CURRENT RATING: 1.5A
3. CONTACT RESISTANCE: 30mΩ MAX
4. INSULATION RESISTANCE: 100mΩ MIN(DC 500V) FOR 1 SECS
5. DIELECTRIC WITHSTAND VOLTAGE: AC 500V FOR 5 SECS MIN
6. INSERTION FORCE: 1KG MAX
7. EXTRACTION FORCE: 3KGF
8. LIFE TEST: 5000 CYCLES
9. OPERATING TEMPERATURE RANGE: -40~70°C
10. SOLDER HEAT RESISTANCE: WAVE SOLDERING 260° FOR 3 SECS

NOTE: ALL DIMS ARE IN mm.



RECOMMEND PCB LAYOUT (JACK TOP VIEW)
TOLERANCES: ±0.05
RECOMMEND PCB THICKNESS: 1.6mm



SEC A-A

ORDERING CHART:
RDI P/N: RDJ-005X-NL

PIN DIAMETER: A=∅2.0mm
B=∅2.5mm



PROJECTION



Research Development Innovation

RDI, Inc. 333 North Bedford Road, Suite 135, Mount Kisco, NY 10549

NO.	NAME	QTY	MATERIAL	FINISHED	REMARK
6	COVER BOARD	1	PBT		BLACK
5	HOUSING	1	PBT		BLACK
4	MANDRIL	1	H59		Ag
3	CONTACT PIN 3#	1	MANGANESE T=0.2mm		Ag
2	CONTACT PIN 2#	1	H62 T=0.3mm		Ag
1	CONTACT PIN 1#	1	H62 T=0.3mm		Ag

11-024	03/04/11	D	REVISED THE DRAWING TO NEW VIEWS	CP	AL
09-128	05/04/09	C	REVISED RATING: DC 12V 1.0A TO 30V 0.5A	BILL	JY
07-430	09/11/07	B	REVISED RATING: DC 12V 1.0A TO 30V 0.5A	VC	JY
06-563	08/16/06	A	ADDED THE PIN DIMS B: ∅2.50	BM	JY
ECN#	DATE	SYM	REVISION RECORD	AUTH	BY

TITLE: DC POWER JACK-ROHS COMPLIANT

DR: Jir DATE: 05/21/05 REF. P/N: RDJ-005X-NL

SCALE: NONE

TOLERANCE: EXCEPT AS NOTED

DEC. MILLIMETERS: CK. LL PRE- JJK DRAWING NO. 2457 SIZE REV. D

6 MAX.±0.1 6-20 MAX.±0.2 20 MIN.±0.3

ANG. ±3°

THIS DOCUMENT IS OWNED BY, AND THE INFORMATION CONTAINED IN IT IS PROPRIETARY TO, RDI. BY RECEIPT HEREOF THE HOLDER AGREES NOT TO USE THE INFORMATION AND NOT TO DISCLOSE IT TO ANY THIRD PARTY, NOR REPRODUCE THIS DOCUMENT WITHOUT THE WRITTEN CONSENT OF RDI, AND AGREES TO RETURN THIS DOCUMENT FORTHWITH UPON REQUEST.