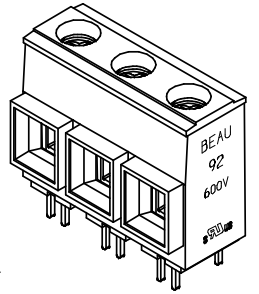
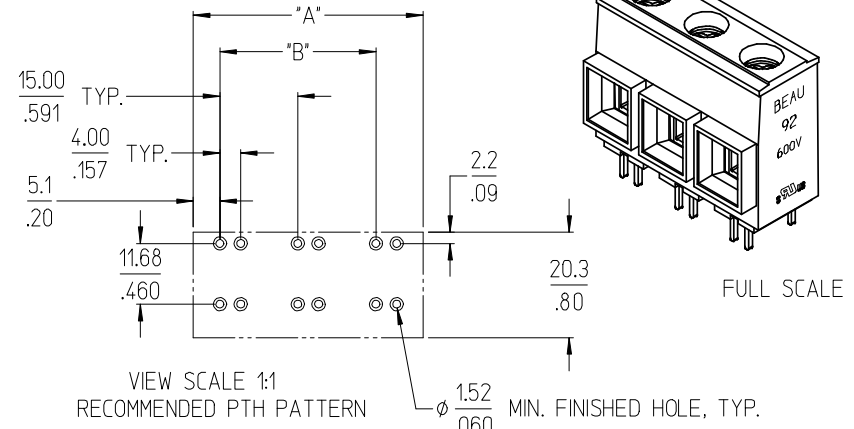
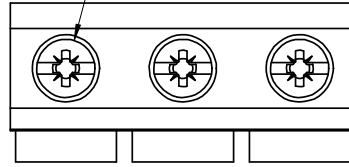
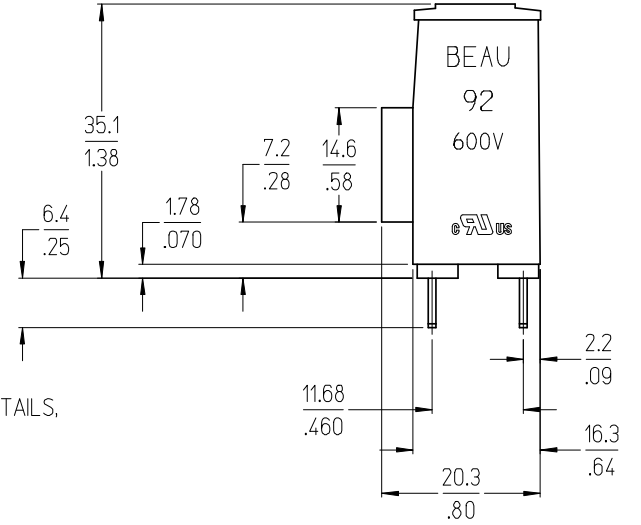
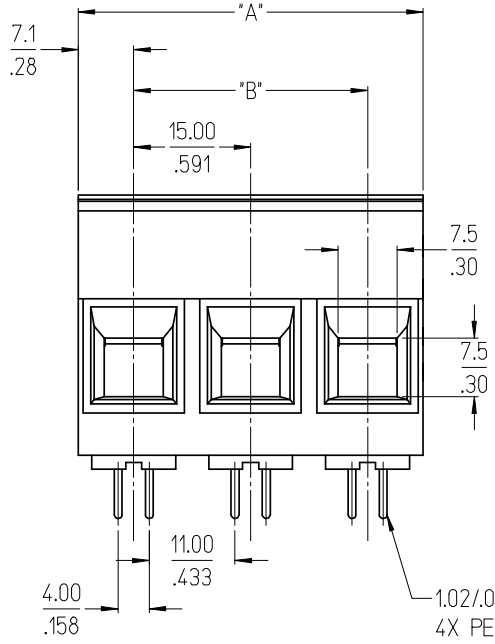
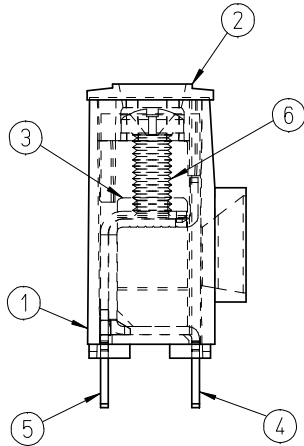


NO. OF CIRCUITS	DIM. "A"		DIM. "B"		ASSEMBLY MATERIAL NO.
	mm	in	mm	in	
02	29.2	1.15	15.00	.591	399200802
03	44.2	1.74	30.00	1.181	399200803
04	59.2	2.33	45.00	1.772	399200804
05	74.2	2.92	60.00	2.362	399200805
06	89.2	3.51	75.00	2.953	399200806
07	104.2	4.10	90.00	3.543	399200807
08	119.2	4.69	105.00	4.134	399200808
09	134.2	5.28	120.00	4.724	399200809
10	149.2	5.87	135.00	5.315	399200810
11	164.2	6.46	150.00	5.906	399200811
12	179.2	7.06	165.00	6.496	399200812

M5 COMBO HEAD SCREW,
6.35/.250" BLADE, #2 POZI



FULL SCALE



NOTES:

1. MATERIAL: SEE TABLE
2. FINISHES: SEE TABLE
3. DESIGNED TO MEET NEC & UL 1059 CLASS C 600 VOLTS.
4. "XX" REFERS TO THE QUANTITY OF CIRCUITS.
5. ASSEMBLY IS ROHS COMPLIANT BY EXEMPTION.
COMPONENTS MARKED WITH AN ASTERISK (*) ARE ROHS COMPLIANT BY EXEMPTION, ALL OTHERS ARE ROHS COMPLIANT.

ITEM	QTY.	DESCRIPTION	MATERIAL	FINISH
6	XX	SCREW, M5, #2 POZI-SLOT, ST. STEEL	ST. STEEL	TIN PLATE
5	XX	TERMINAL, OUTER	COPPER	TIN PLATE
4	XX	TERMINAL, INNER	COPPER	TIN PLATE
3	XX	CAGE (*)	BRASS	NICKEL PLATE
2	1	COVER	PBT	BLACK
1	1	BODY	PBT	BLACK

INITIAL RELEASE EC NO: ETC2008-0077 DRWN: CLYORK 2007/09/17 CHKD: MACNEIL 2007/09/18 APPR: MACNEIL 2007/09/18	QUALITY SYMBOLS ▽=0 ▽=0	GENERAL TOLERANCES (UNLESS SPECIFIED)		DIMENSION STYLE		SCALE	DESIGN UNITS	THIRD ANGLE PROJECTION			
				MM/IN		3:2	INCH				
				mm	INCH	DRAWN BY		DATE		TITLE	
				4 PLACES ±---	±---	C. YORK		2007/09/12		15.00/.591 SR BTS, PC, #3 AWG ASST, 600V, 85A, SS SCREW	
		3 PLACES ±---	±.005	CHECKED BY		DATE					
		2 PLACES ±0.13	±.01	J. MACNEIL		2007/09/12					
		1 PLACE ±0.3	±---	APPROVED BY		DATE					
		ANGULAR ± 2 °		J. MACNEIL		2007/09/12					
		DRAFT WHERE APPLICABLE MUST REMAIN WITHIN DIMENSIONS		MATERIAL NO.		DOCUMENT NO.		SHEET NO.			
				SEE CHART		SD-39920-001		1 OF 1			
				THIS DRAWING CONTAINS INFORMATION THAT IS PROPRIETARY TO MOLEX INCORPORATED AND SHOULD NOT BE USED WITHOUT WRITTEN PERMISSION							