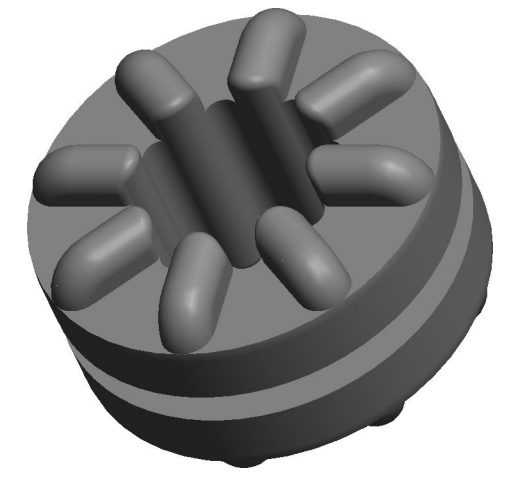
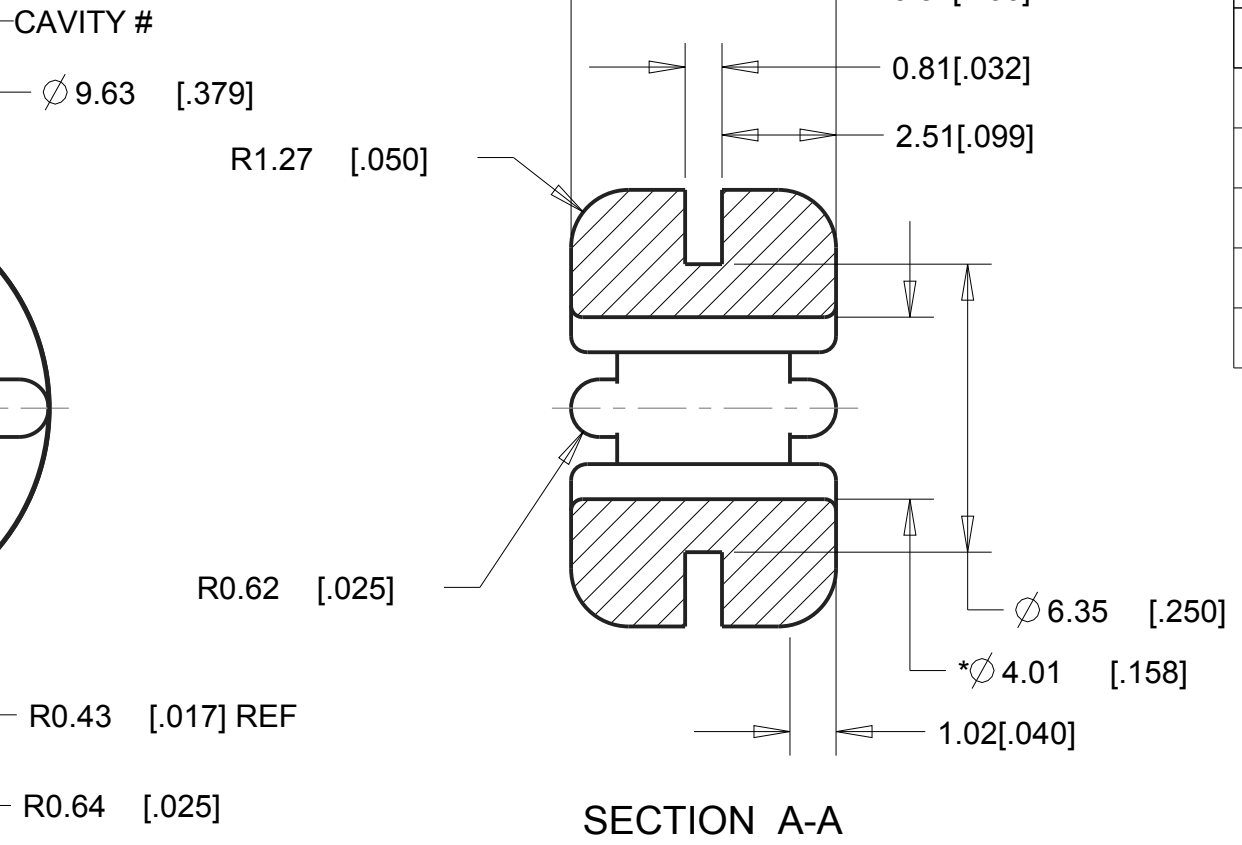
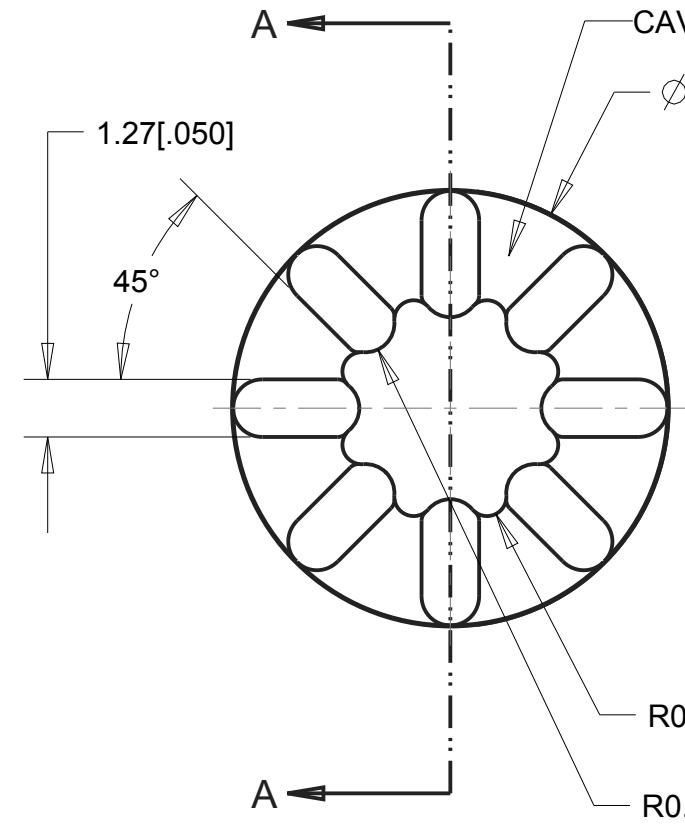




REVISIONS				
DRAWN	REV	DESCRIPTION	DATE	APPROVED
PAM	00	INITIAL RELEASE	5-19-03	DTC
TC	01	UPDATED FORMAT AND INCLUDED C-8002 MATERIAL.	3-23-09	JS
TC	02	UPDATED MATERIAL CALLOUT WITH SL AND ADDED TOLERANCE TABLES.	3-10-10	JS
TC	03	UPDATED SL TOLERANCE TABLE	3-23-10	JS
TC	04	REMOVED ITEM CODES, ADDED SL PAGE	5-5-10	JS
TC	05	FIXED DECIMALS AND ADDED CAVITY #	6-6-10	JS
KP/TC	06	UPDATED FORMAT, ADDED WEIGHT	9-6-11	MS
TC	07	ADDED V-2590 MATERIAL	7-16-12	MS



GROMMET MATERIAL	SEE PAGE
ISODAMP	1
VERSADAMP	1
ISOLOSS	2
G-412-V2325	V-2325
G-412-V2590	V-2590
G-412-3	C-1100
G-412-2	C-1105
G-412-1	C-1002
G-412-C8001	C-8001
G-412-C8002	C-8002
G-412-C8012	C-8012
PART NUMBER	MATERIAL

RANGE	TOL
0<D=<2 [.079]	± 0.15 [.006]
2 [.079]<D=<25 [.984]	± 0.25 [.010]
25 [.984]<D=<50 [1.969]	± 0.4 [.016]
50 [1.969]<D	± 0.6 [.024]

5. FOR ISOLOSS MATERIAL, USE THE TOLERANCE TABLE ON PAGE 2.
4. FOR VERSADAMP AND ISODAMP MATERIAL, USE THE TOLERANCE TABLE ON PAGE 1.
3. MAX 2° DRAFT.
2. CRITICAL DIMENSIONS SHALL HAVE Cpk VALUE >= 1.33 WITH ONGOING SPC DATA REQUIRED.
1. CRITICAL DIMENSIONS ARE MARKED WITH "**".

NOTES:

UNLESS OTHERWISE SPECIFIED UNITS ARE: MM [IN] TOLERANCES ARE IN THE TABLE TO THE LEFT: ANGLES ±1.0°	MATERIAL: SEE TABLE ON LEFT	AEARO TECHNOLOGIES LLC * a 3M company		
	QUALITY CONTROL: MUST COMPLY WITH AEARO TECHONOLGIES LLC SUPPLIER QUALITY MANUAL REQUIREMENTS	TITLE GROMMET - SYMMETRIC, INTERNALLY RIBBED		
ALLOWABLE FLASH: 0.12 MM [.005]	GATE: ±0.15MM [.006]	NOTES: ANY FEATURE NOT DIMENSIONED IN PRINT MUST BE VISIBLY PRESENT, UTILIZE 3D CAD FOR CREATION	SIZE B	ITEM CODE
CALC WT 0.29 GRAM REF	DWG NO. G-412-X PAGE 1 OF 2			

1

2

3

4

D

D

C

C

B

B

A

A

1

2

3

4

1

2

3

4

REVISIONS



D

D

C

C

B

B

A

A

G-412-SL20300	SL-20300
G-412-SL35300	SL-35300
G-412-SL50300	SL-50300
G-412-SL60300	SL-60300
PART NUMBER	MATERIAL

RANGE	TOL
0<D=<10 [.394]	± 0.15 [.006]
10 [.394]<D=<20 [.787]	± 0.2 [.008]
20 [.787]<D=<50 [1.969]	± 0.25 [.010]
50 [1.969]<D=<80 [3.150]	± 0.35 [.014]
80 [3.150]<D	± 0.5%

UNLESS OTHERWISE SPECIFIED UNITS ARE: MM [IN] TOLERANCES ARE IN THE TABLE TO THE LEFT: ANGLES ±1.0°	MATERIAL: SEE TABLE ON LEFT	AEARO TECHNOLOGIES LLC * a 3M company	
	ALLOWABLE FLASH: 0.3 MM [0.012]	QUALITY CONTROL: MUST COMPLY WITH AEARO TECHONOLGIES LLC SUPPLIER QUALITY MANUAL REQUIREMENTS	TITLE GROMMET - SYMMETRIC, INTERNALLY RIBBED
GATE:	NOTES: ANY FEATURE NOT DIMENSIONED IN PRINT MUST BE VISIBLY PRESENT, UTILIZE 3D CAD FOR CREATION	SIZE B	ITEM CODE
CALC WT 0.24 GRAM REF		DWG NO. G-412-X PAGE 2 OF 2	

1

2

3

4