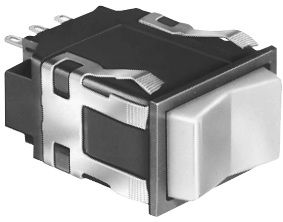


# Manual Switches

## Electronic Control Rocker

### INCANDESCENT OR NON-LIGHTED DISPLAY



#### FEATURES

- Silver or gold contacts.
- 2 or 3 position operation.
- UL recognized, CSA certified.
- Lamps can be furnished installed or ordered separately.
- Lamp circuit independent of switch circuit.

Electrical Data	page 19
Rockers	page 51
Lamps	page 58
Accessories	pages 56, 57
Mounting Dimensions	pages 59, 62

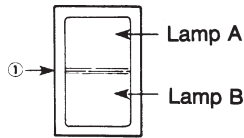


\*AML24 Series: 1 pole and 2-pole only.

Rocker operators ordered separately.

### AML24 ORDER GUIDE

AML24 E	B	A	2	AA	01
<b>Housing Type</b>	<b>Bezel Color</b>	<b>Incandescent Lamp Type</b>	<b>Terminal Type</b>	<b>Circuitry Codes</b>	<b>Operating Action</b>
<b>AML24 E</b> Rectangular Non-Lighted  <b>AML24 F</b> Rectangular 1 Lamp Ckt. (A)  <b>AML24 G</b> Rectangular 2 Lamp Ckts.	<b>B</b> Black	<b>A</b> No Lamp Installed  <b>B</b> 6 V Lamp*  <b>C</b> 14 V Lamp*  <b>E</b> 28 V Lamp*	<b>2</b> .110 × .020 (Solder or Quick-Connect)  <b>3</b> .025 × .025 (Printed Ckt., or Push-on)	Insert Code letters as shown in Circuitry Chart	Insert Code numbers from Operating Action Chart



① The "MICRO SWITCH" identification is shown on this side of the switch housings.

\* Lamps will be installed per each lamp circuit specified in the Housing Type.

#### Example: AML24EBA2AA01

Rectangular non-lighted rocker switch housing; black bezel; .110 × .020 terminals; with one circuit ON and one circuit OFF in each extreme operator position (maintained).

### CIRCUITRY

Silver Contacts	Gold Contacts	2-Position	3-Position	
AA	BA			
AC	BC			
(Non-illuminated switches only)				
CA	DA			
CC	DC			
(Non-illuminated switches only)				

### OPERATING ACTION

2-Position:		
Maint.	01 None	Maint.
Mom.	02 None	Maint.
Maint.	03 None	Mom.
3-Position:		
Maint.	04 Maint.	Maint.
Mom.	05 Maint.	Mom.
Maint.	06 Maint.	Mom.
Mom.	07 Maint.	Maint.

# Manual Switches

## Electronic Control Rocker

### LED DISPLAY



Rocker operators ordered separately.  
LEDs are not replaceable.

### FEATURES

- Identical to AML24, except furnished with one or two rectangular high efficiency LED's which give flush display area and wide angle indication.
- Available with or without diode protection for LED's.
- LED circuit independent of switch circuit.

Electrical Data	page 19
Rockers	page 52
Lamps and LEDs	page 58
Accessories	page 57
Mounting Dimensions	pages 59, 62

- 5 thru 24 VDC LED devices have internal resistor to maintain current at nominal 20 mA.
- UL recognized, CSA certified.



\*AML26 Series: 1 pole and 2-pole only.

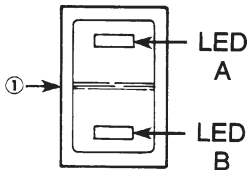
### AML26 ORDER GUIDE

#### AML26 F B B 2 AA 01 R X

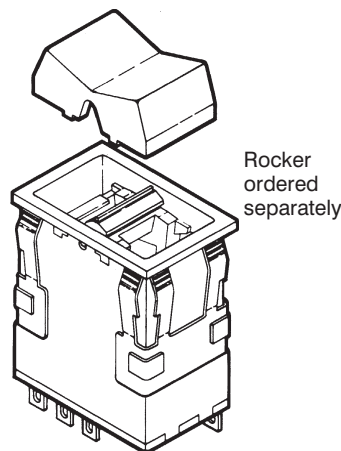
Housing Type	Bezel Color	LED Voltage	Terminal Type/ Diode Protection	Circuitry Codes	Operating Action	LED Color (LED A)	LED Color (LED B)
<b>AML26 F</b> 1 LED	<b>B</b> Black	<b>B</b> V*	<b>2</b> .110 × .020 (Solder or Quick-Connect)	Insert code letters as shown in Circuitry Chart	Insert code numbers from Operating Action Chart	<b>R</b> Red	<b>R</b> Red
<b>AML26 G</b> 2 LED's		<b>C</b> 5 V	<b>3</b> .025 × .025 (Printed Ckt., or Push-On)	LED version available only with <b>AA</b> <b>BA</b> <b>CA</b> <b>DA</b> circuitry		<b>Y</b> Yellow	<b>Y</b> Yellow
		<b>D</b> 10 V	<b>8</b> .110 × .020 w/Diode for LED protection			<b>G</b> Green	<b>G</b> Green
		<b>E</b> 15 V				<b>X</b> No LED	<b>X</b> No LED
		<b>F</b> 24 V					

\*See LED application information for devices without current-limiting resistor, page 58.

Example: **AML26FBB2AA01RX**  
Rectangular rocker switch; illuminated with one LED, this device has a black bezel, .110 × .020 terminals; with one circuit ON and one circuit OFF in each extreme operator position (maintained).



① The "MICRO SWITCH" identification is shown on this side of the switch housings.



Manuals