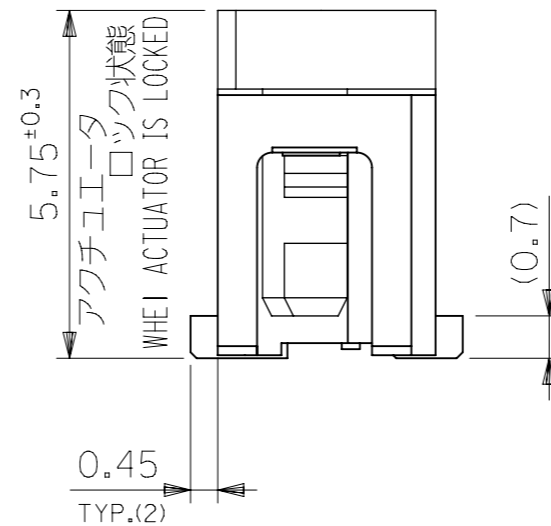
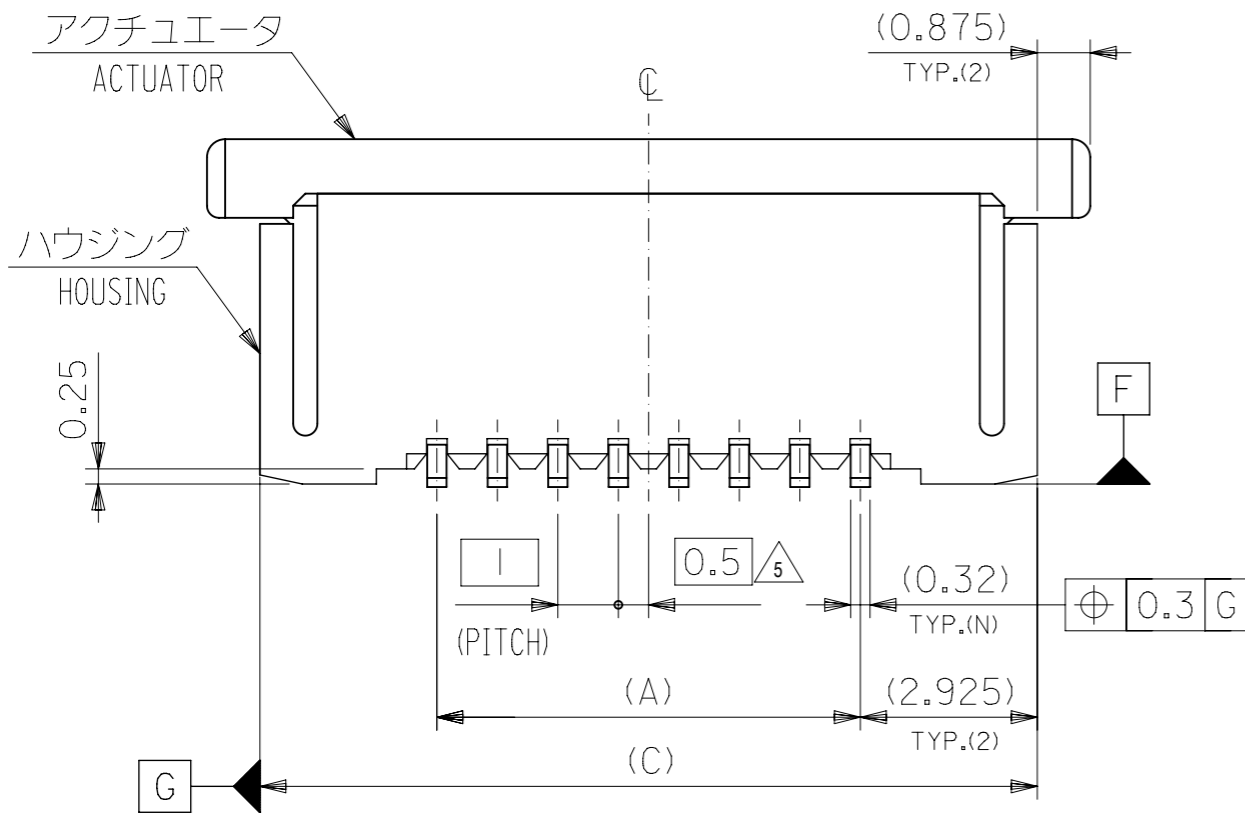
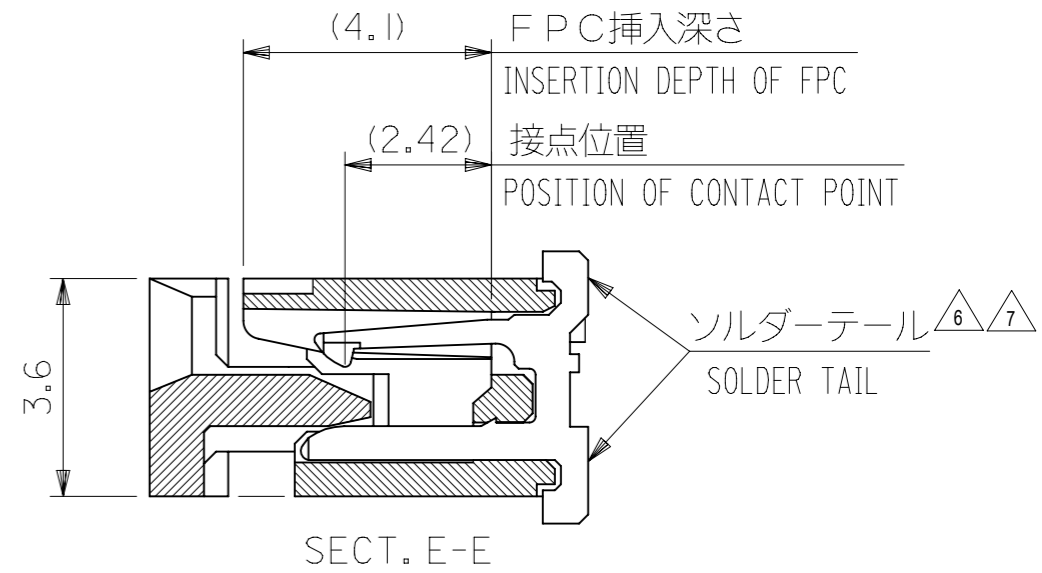
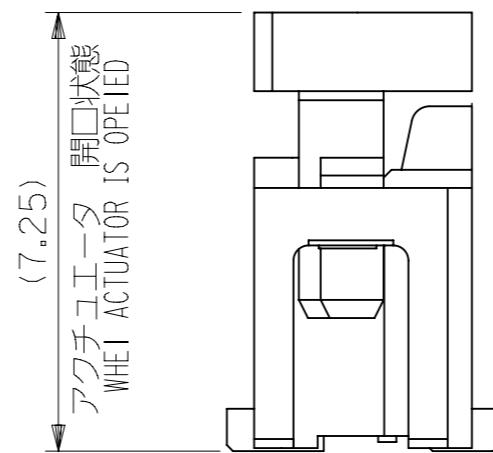
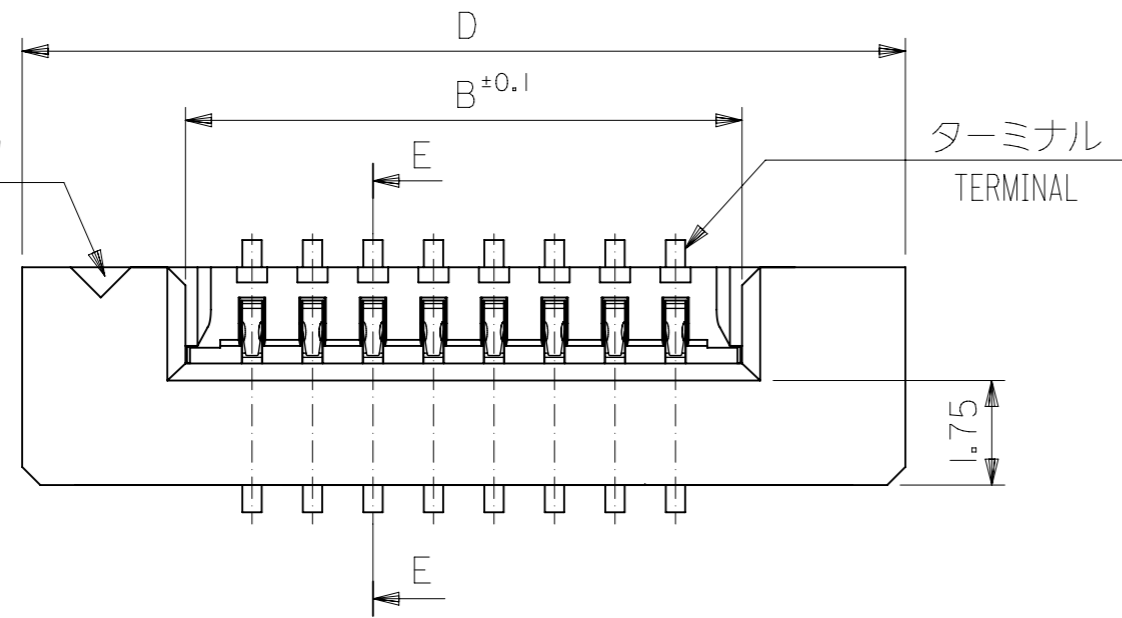


回路番号1マーク  
CIRCUIT NO. 1 MARK



36.6	34.85	31.2	29	52610-3033	30
34.6	32.85	29.2	27	52610-2833	28
32.6	30.85	27.2	25	52610-2633	26
31.6	29.85	26.2	24	52610-2533	25
30.6	28.85	25.2	23	52610-2433	24
29.6	27.85	24.2	22	52610-2333	23
28.6	26.85	23.2	21	52610-2233	22
26.6	24.85	21.2	19	52610-2033	20
24.6	22.85	19.2	17	52610-1833	18
23.6	21.85	18.2	16	52610-1733	17
22.6	20.85	17.2	15	52610-1633	16
21.6	19.85	16.2	14	52610-1533	15
20.6	18.85	15.2	13	52610-1433	14
19.6	17.85	14.2	12	52610-1333	13
18.6	16.85	13.2	11	52610-1233	12
17.6	15.85	12.2	10	52610-1133	11
16.6	14.85	11.2	9	52610-1033	10
15.6	13.85	10.2	8	52610-0933	9
14.6	12.85	9.2	7	52610-0833	8
13.6	11.85	8.2	6	52610-0733	7
12.6	10.85	7.2	5	52610-0633	6
11.6	9.85	6.2	4	52610-0533	5

D	(C)	B	(A)	EMBOSSED PACKAGE ORDER NO. オーダー番号	極数 CKT.
CONNECTOR SERIES NO.: 52610-**22					

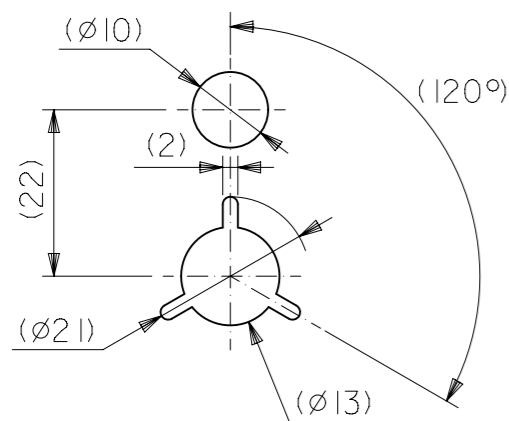
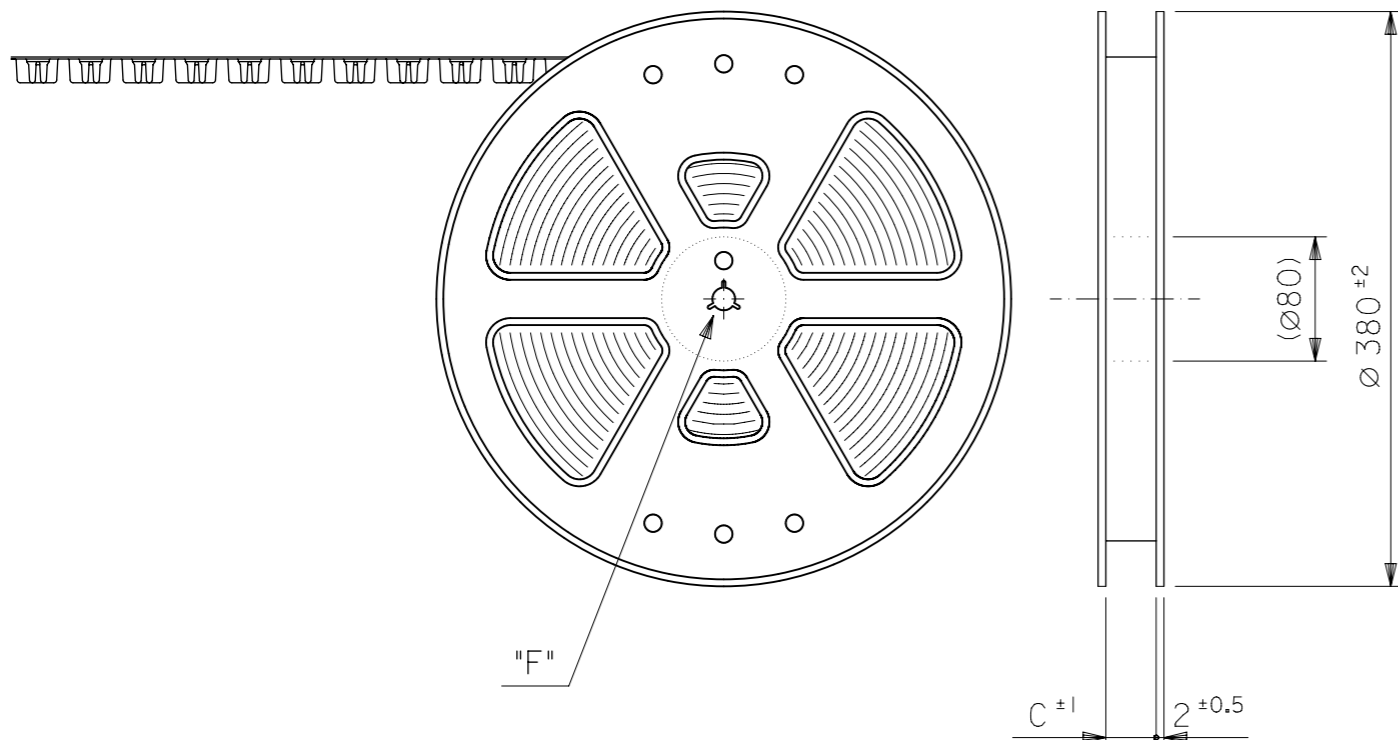
GENERAL TOLERANCES (UNLESS SPECIFIED)	
10 UNDER	± 0.2
10 OVER 30 UNDER	± 0.25
30 OVER	± 0.3
ANGULAR ± 3 °	
DRAFT WHERE APPLICABLE MUST REMAIN WITHIN DIMENSIONS	

THIS DRAWING CONTAINS INFORMATION THAT IS PROPRIETARY TO MOLEX ELECTRONIC TECHNOLOGIES, LLC AND SHOULD NOT BE USED WITHOUT WRITTEN PERMISSION

DIMENSION UNITS	SCALE	CURRENT REV DESC: REMOVED OBSOLETE PART NUMBER AS PER PCN#512672.
mm	8:1	
GENERAL TOLERANCES (UNLESS SPECIFIED)		
ANGULAR TOL	± 3.0 °	
4 PLACES	± 0.2	EC NO: 724799
3 PLACES	± 0.25	DRWN: SUGEEB 2022/10/20
2 PLACES	± 0.3	CHK'D: GGA 2022/11/03
1 PLACE	±	APPR: GGA 2022/11/03
0 PLACES	±	INITIAL REVISION:
DRAFT WHERE APPLICABLE MUST REMAIN WITHIN DIMENSIONS		DRWN: NASANUMA 2012/09/12
THIRD ANGLE PROJECTION		APPR: KMORIKAWA 2013/03/15
DRAWING	SERIES	MATERIAL NUMBER
A3-SIZE	52610	SEE TABLE
CUSTOMER		DOCUMENT NUMBER
GENERAL MARKET		SD-52610-048
SHEET NUMBER		DOC TYPE DOC PART REVISION
1 OF 2		PSD 001 C1



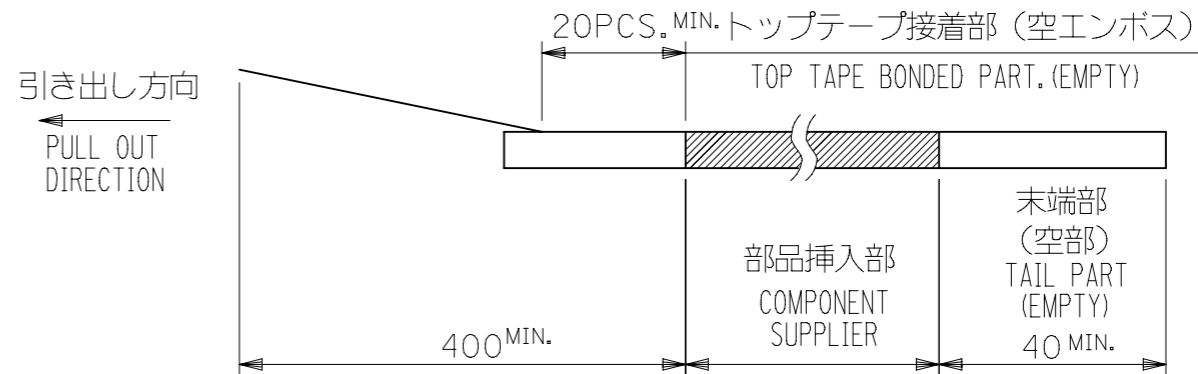
引き出し方向  
PULL OUT  
DIRECTION



DETAIL "F"

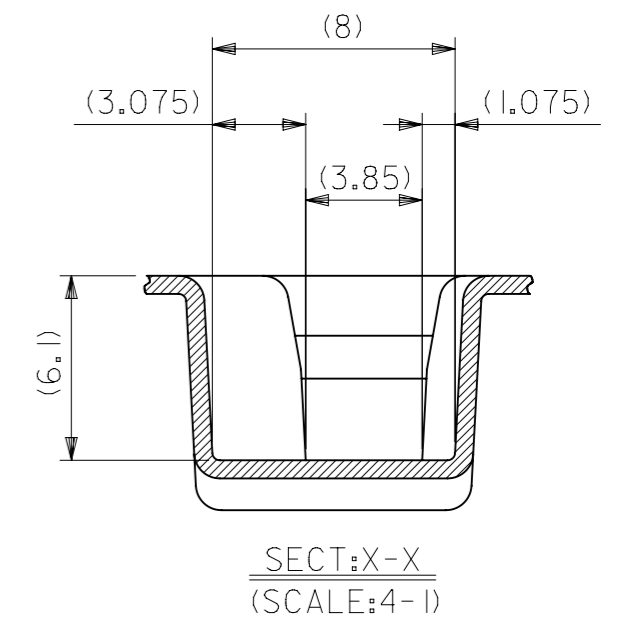
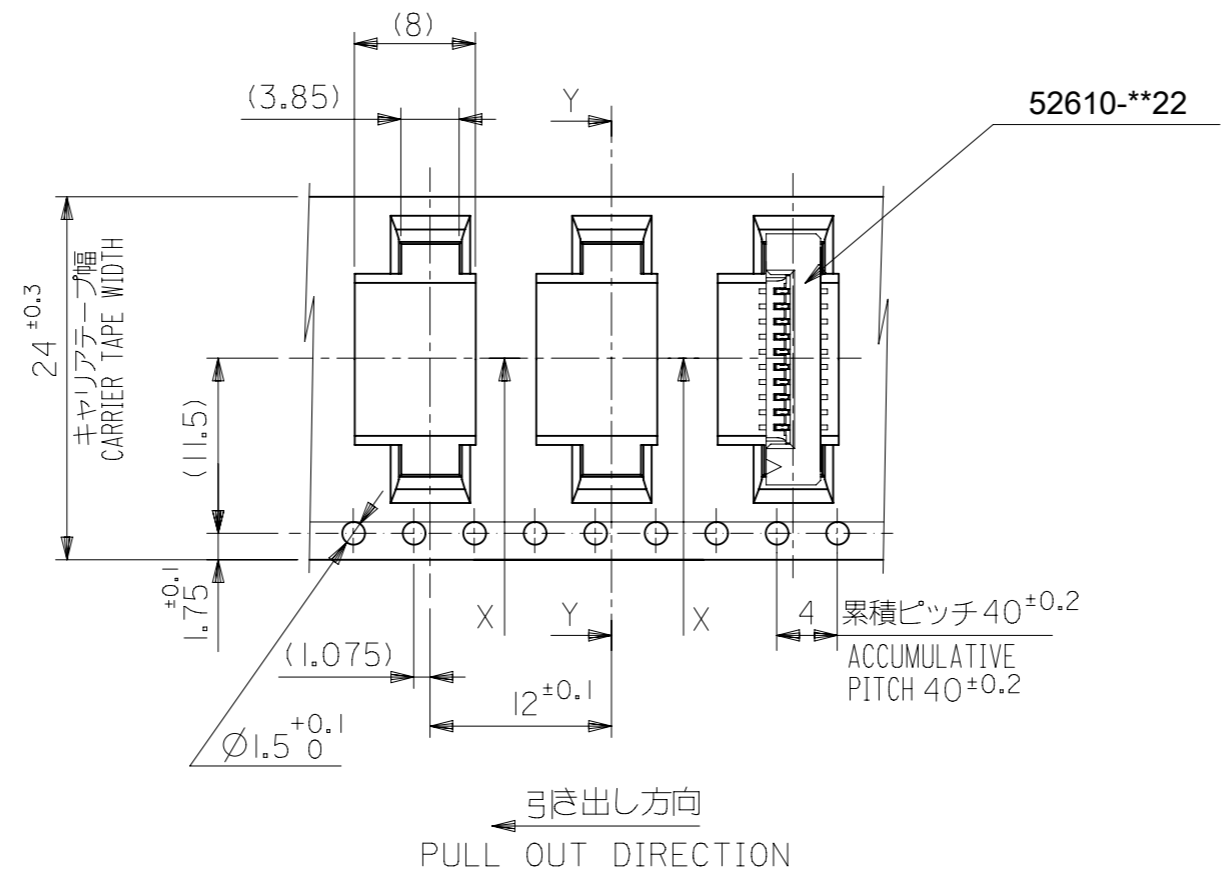
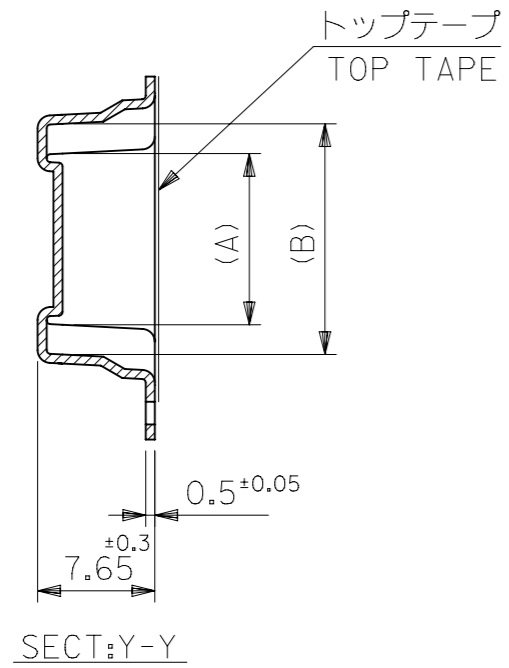
NOTES

- 52610-\*\*22のアクチュエータはハウジング内に押し下げた状態とする。  
詳細寸法については図面SD-52610-048をご参照ください。  
ACTUATOR OF PART NO. 52610-\*\*22 SHULD BE LOCKED.  
RE DETAILED DIMENSIONS, SEE SD-52610-048
- 梱包数量：1000個 / リール  
NUMBER OF CONNECTORS : 1000PCS/REEL
- リードテープ長さ  
LEAD TAPE LENGTH



- カバーテープの剥離強度については、IEC60286-3に準拠  
COVER TAPE PEEL FORCE IS DEFINED BY IEC60286-3.
- 材料(MATERIAL)  
キャリアテープ ( CARRIER TAPE) : ポリプロピレン ( POLYPROPYLENE)  
トップテープ ( TOP TAPE) : PET, PE, PEF  
リール(REEL) : ポリスチレン(PS)<リサイクル材を含む>  
POLYSTYREN(PS) <RECYCLE MATERIAL CONTAINED>

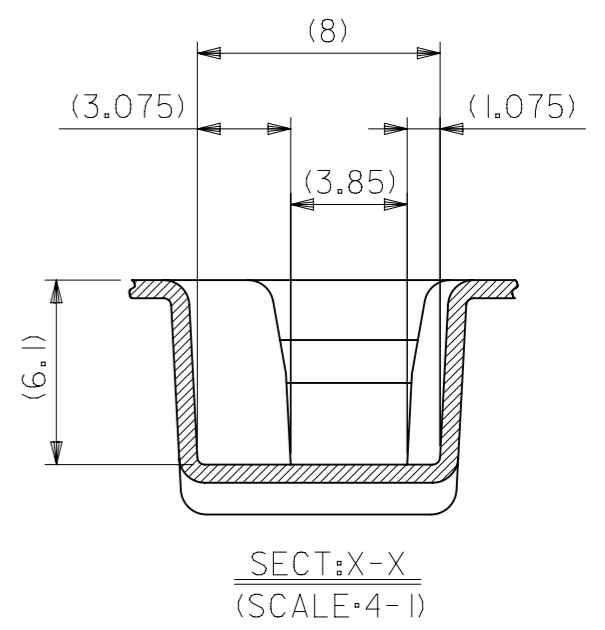
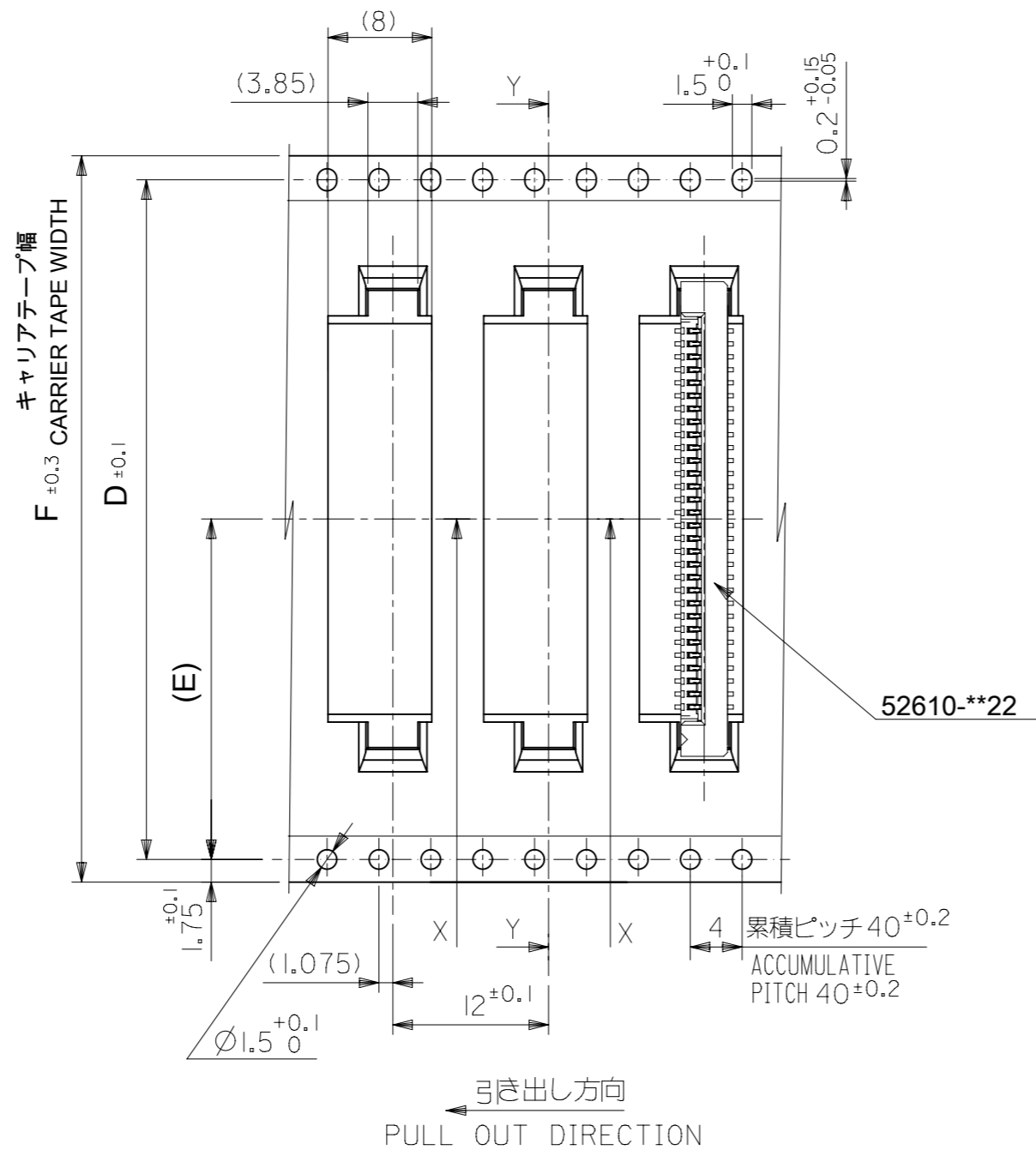
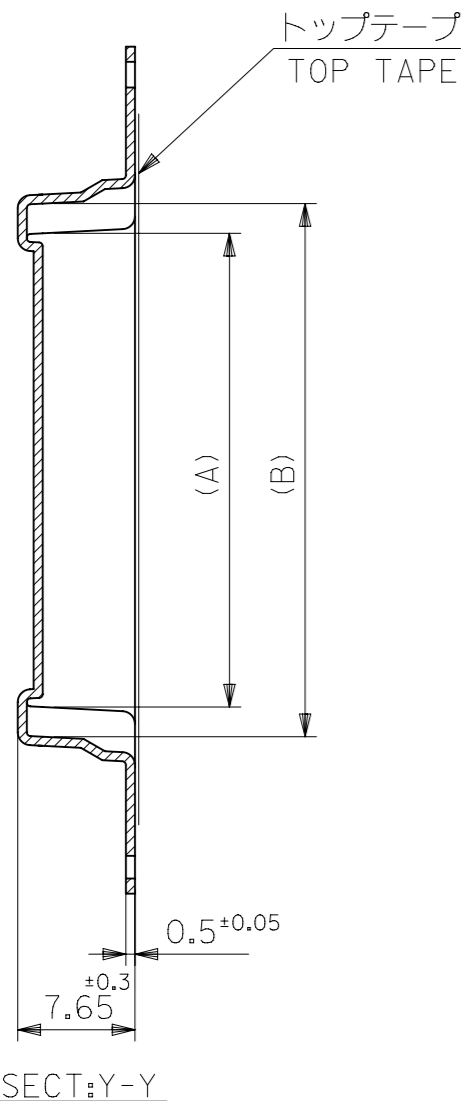
THIS DRAWING CONTAINS INFORMATION THAT IS PROPRIETARY TO MOLEX ELECTRONIC TECHNOLOGIES, LLC AND SHOULD NOT BE USED WITHOUT WRITTEN PERMISSION									
DIMENSION UNITS		SCALE		CURRENT REV DESC: REMOVED OBSOLETE PART NUMBER AS PER PCN#512672.				<b>molex</b>	
mm		NTS							
GENERAL TOLERANCES (UNLESS SPECIFIED)									
		MM		INCH					
4 PLACES		±		±		EC NO: 724799			
3 PLACES		±		±		DRWN: SUGEEB 2022/10/20			
2 PLACES		±		±		CHK'D: GGA 2022/11/03			
1 PLACE		±		±		APPR: GGA 2022/11/03			
0 PLACES		±		±		INITIAL REVISION:			
ANGULAR TOL		± °		± °		DRWN: NASANUMA 2012/09/05			
						APPR: KMORIKAWA 2013/03/15			
DRAFT WHERE APPLICABLE MUST REMAIN WITHIN DIMENSIONS				THIRD ANGLE PROJECTION		DRAWING		SERIES	
				A3-SIZE		52610		MATERIAL NUMBER	
				SEE CHART		GENERAL		CUSTOMER	
								SHEET NUMBER	
								1 OF 3	



24	11.5	25.5	15.25	11.32	52610-1033	10
			14.25	10.32	52610-0933	9
			13.25	9.32	52610-0833	8
			12.25	8.32	52610-0733	7
			11.25	7.32	52610-0633	6
			10.25	6.32	52610-0533	5
F	(E)	C	(B)	(A)	ENG. NO.	極数 CKT.

THIS DRAWING CONTAINS INFORMATION THAT IS PROPRIETARY TO MOLEX ELECTRONIC TECHNOLOGIES, LLC AND SHOULD NOT BE USED WITHOUT WRITTEN PERMISSION

DIMENSION UNITS <b>mm</b>	SCALE <b>NTS</b>	CURRENT REV DESC: REMOVED OBSOLETE PART NUMBER AS PER PCN#512672.			
GENERAL TOLERANCES (UNLESS SPECIFIED)		<p><b>molex</b></p> <p>EMBOSS TAPE PACKAGED FOR 1.0 FPC CONN ZIF S/T HOUSING ASSY</p> <p>PRODUCT CUSTOMER DRAWING</p>			
MM INCH					
4 PLACES ±	±				
3 PLACES ±	±				
2 PLACES ±	±				
1 PLACE ±	±	EC NO: 724799	2022/10/20	DOCUMENT NUMBER	
0 PLACES ±	±	DRWN: NASANUMA	2012/09/05	SD-52610-049	
ANGULAR TOL ± °	°	APPR: KMORIKAWA	2013/03/15	DOC TYPE	DOC PART
DRAFT WHERE APPLICABLE MUST REMAIN WITHIN DIMENSIONS		THIRD ANGLE PROJECTION	DRAWING	SERIES	MATERIAL NUMBER
			A3-SIZE	52610	SEE CHART
				CUSTOMER	SHEET NUMBER
				GENERAL	2 OF 3



56	26.2	52.4	57.5	35.25	31.32	52610-3033	30
				33.25	29.32	52610-2833	28
				31.25	27.32	52610-2633	26
44	20.2	40.4	46.5	30.25	26.32	52610-2533	25
				29.25	25.32	52610-2433	24
				28.25	24.32	52610-2333	23
				27.25	23.32	52610-2233	22
				25.25	21.32	52610-2033	20
				23.25	19.32	52610-1833	18
				22.25	18.32	52610-1733	17
32	14.2	28.4	33.5	21.25	17.32	52610-1633	16
				20.25	16.32	52610-1533	15
				19.25	15.32	52610-1433	14
				18.25	14.32	52610-1333	13
				17.25	13.32	52610-1233	12
				16.25	12.32	52610-1133	11
F	(E)	D	C	(B)	(A)	ENG. NO.	極数 CKT.

THIS DRAWING CONTAINS INFORMATION THAT IS PROPRIETARY TO MOLEX ELECTRONIC TECHNOLOGIES, LLC AND SHOULD NOT BE USED WITHOUT WRITTEN PERMISSION

DIMENSION UNITS <b>mm</b>	SCALE <b>NTS</b>	CURRENT REV DESC: REMOVED OBSOLETE PART NUMBER AS PER PCN#512672.		<b>molex</b>	
GENERAL TOLERANCES (UNLESS SPECIFIED)		EC NO: 724799			
4 PLACES ±	MM	INCH	DRWN: SUGEEB	2022/10/20	
3 PLACES ±			CHK'D: GGA	2022/11/03	
2 PLACES ±			APPR: GGA	2022/11/03	
1 PLACE ±			INITIAL REVISION:	DOCUMENT NUMBER	
0 PLACES ±			DRWN: NASANUMA	SD-52610-049	
ANGULAR TOL ± °			APPR: KMORIKAWA	DOC TYPE	DOC PART
DRAFT WHERE APPLICABLE MUST REMAIN WITHIN DIMENSIONS		THIRD ANGLE PROJECTION	DRAWING	SERIES	REVISION
			A3-SIZE	52610	A2
		MATERIAL NUMBER	CUSTOMER	SHEET NUMBER	
		SEE CHART	GENERAL	3 OF 3	