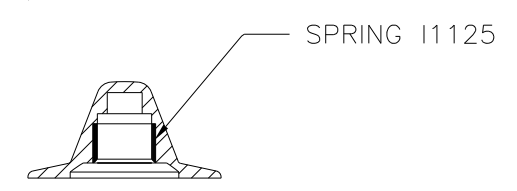
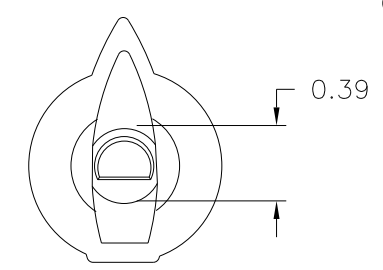
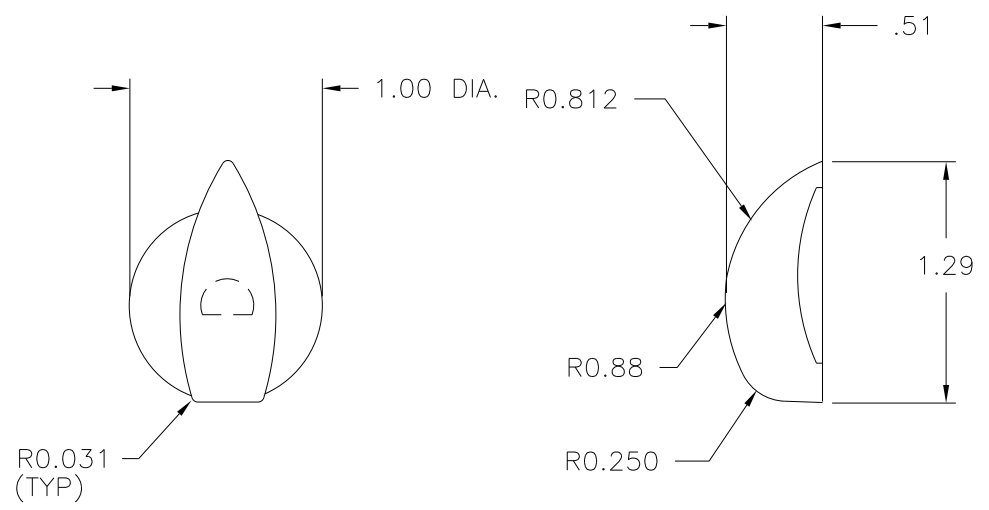


PART NAME: KNOB SCALE: 1:1 DATE: 9/11/89 DR. BY HD

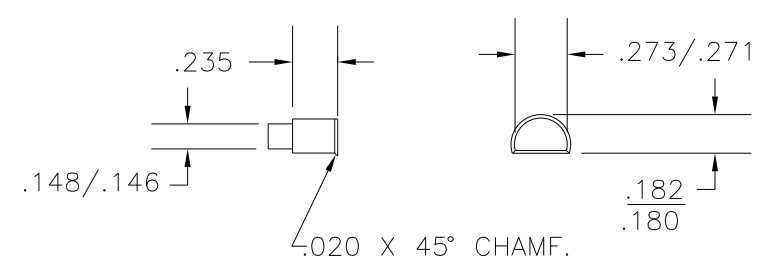
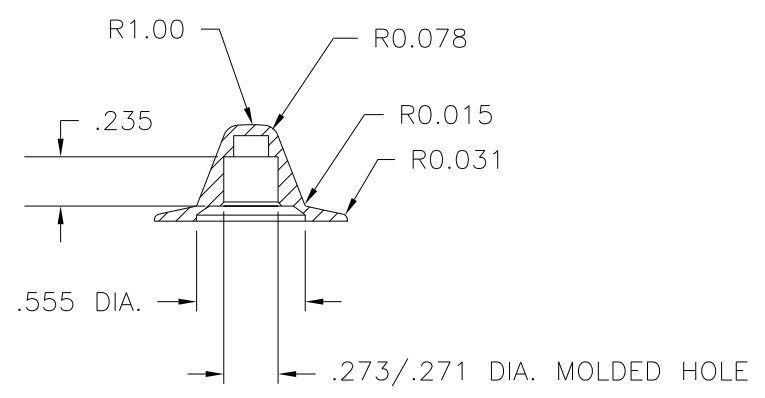
THIS DRAWING IS THE PROPERTY OF DAVIES MOLDING COMPANY, IS SUBMITTED SOLELY AS A DESIGN OR ENGINEERING PROJECT. WE ACCEPT NO RESPONSIBILITY WHATSOEVER FOR THE PRACTICAL APPLICATION OF THE PIECES MADE TO THIS DESIGN.

DAVIES MOLDING COMPANY
CAROL STREAM, ILLINOIS 60188

P/N	1555
M NO.	14
CAVITY	1555
CORE	1555
PIN	1555
PLATE SHIM	0.015
LEG SHIM	0.015
PILLAR SHIM	0.025
SPRING	I1125A



Ⓐ
SPRING I1125A, (.250 DIA. FLATTED TO .156) TO BE INSTALLED AT MOLDING PRESS.



MOLDED HOLE SIZE

Ⓑ
MATERIAL: NYLON 6/6 (ZY2), (ZY6)
OR ENGINEERING APPROVED EQUIVALENT
COLOR: BLACK

TOLERANCES: UNLESS OTHERWISE SPECIFIED	DO NOT SCALE DRAWING	B	ADDED ZY6	JAM	6/25/12
DECIMALS: X.XXX ± .005 X.XX ± .015	MM: X.XX ± 0.15MM X.X ± 0.4MM	A	WAS I1125	JAM	11/28/07
FRACTIONS ± 1/64	ANG. ± 1°	-	CAD/REDRAWN	HD	2/5/96
CHANGES					