

CP1W-EIP01-US

# CP1 EtherNet/IP Adapter

## Low Cost EtherNet/IP Slave Adapter for CP1 Series Micro PLCs

The CP1W-EIP01-US is a low cost adapter that allows EtherNet/IP communications for the CP1H and CP1L PLCs with an available option board slot. The addition of an EtherNet/IP option board turns the PLC into an Intelligent Slave that easily connects to an EtherNet/IP Master for control & monitoring data.

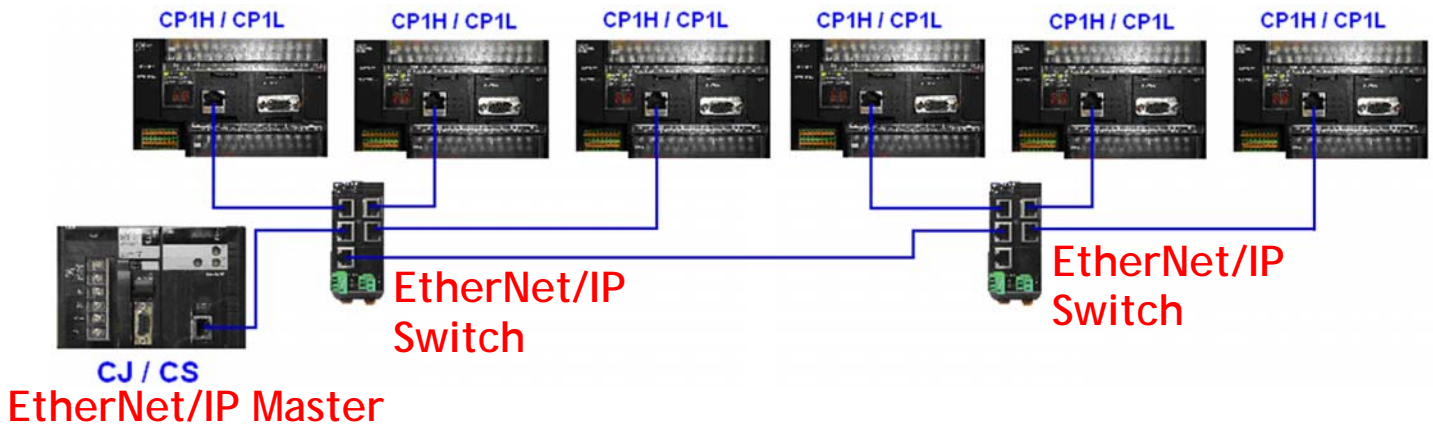
### Key Features and Benefits

- **Easy Mounting** - The adapter mounts in an unused Option Board Slot of the CP1 PLC
- **Slave connections** - The CP1W-EIP01-US turns a CP1 PLC into an Intelligent EtherNet/IP Slave that shares information using Data Link (Implicit Messaging). The CP1 must be connected to an EtherNet/IP Master for data sharing.
- **Intelligent Slave** - Each PLC is a powerful motion controller\* (CP1H - 4 Axis, CP1L - 2 Axis) with high speed interrupts, Real Time Clock, IEC61131-3 Programming, PID, Floating Point Math and is expandable with analog or digital I/O. The addition of an EtherNet/IP option board turns the PLC into an Intelligent Slave.  
\*Transistor models
- **ControlLogix & CompactLogix Connect** - Easily connect Rockwell EtherNet/IP Master to the CP1 with EtherNet/IP adapter



### Typical System Configuration

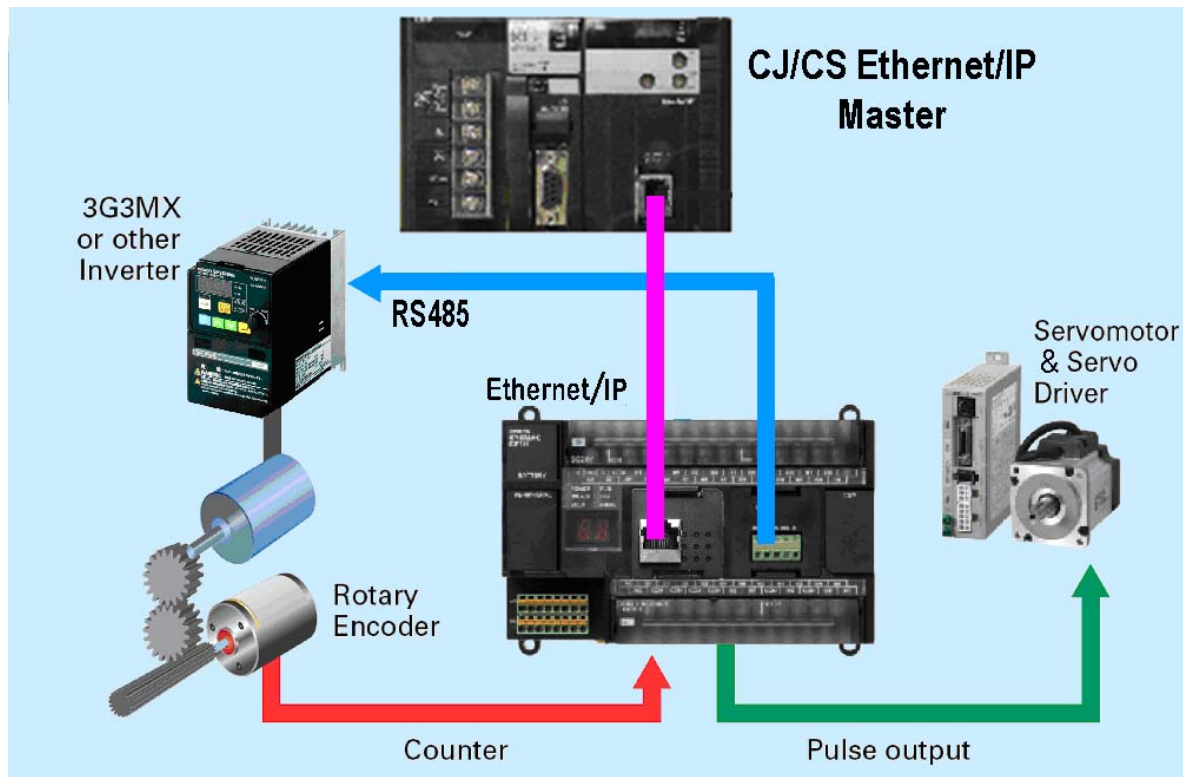
#### EtherNet/IP Slave Nodes (up to 128)



### Specification

Part Number	Description
CP1W-EIP01-US	CP1 EtherNet/IP Slave Adapter
Type	100Base-TX (Can be used as 10Base-T)
Applicable PLCs	CP1L-L14, CP1L-L20, CP1L-M30, CP1L-M40, CP1L-M60, CP1H
Transmission Distance	100 m (distance between hub and node)
Number of units mounted	One (either port can be used) (a CP1W-ETN01-US can also be mounted in an open slot)
Communication Method	EtherNet/IP
Max connections per device	One connection (ie: EtherNet/IP Master to EtherNet/IP Slave)
Data Link Set-up	10/50/100 Words - Produced data D1000-D1099, Consumed data D1100-D1199
Current IP Address	D1200, D1201 (D1200=1st & 2nd Octets in Hex, D1201=3rd & 4th Octets in Hex)
Default IP Address	192.168.250.11
Web Page IP Address Set-up	<a href="http://192.168.250.11">http://192.168.250.11</a> (Default)
Requested Packet Interval (RPI)	10ms (minimum recommended)

# Intelligent EtherNet/IP Slave



In the above example the CP1H PLC communicates to the CJ/CS via EtherNet/IP. The CP1H PLC can control 4 axis of servo motors while also reading 4 high speed encoder inputs. An additional option port can be added for communications to AC Drives, Temperature Controllers, or other devices. Built into the CPU are 24 Digital In, 16 Digital Out and 6 Analog I/O (4 configurable analog inputs & 2 configurable analog outputs). The PLC is expandable up to 320 digital I/O along with 2 CJ Special I/O modules (Analog, Motion, RFID, Network or Communication cards).

**Additional literature** can be obtained from [www.omron247.com](http://www.omron247.com).

W450 - CP1H Operation Manual  
W451 - CP1L / CP1H Programming Manual  
W462 - CP1L Operation Manual  
W465 - CJ / CS EtherNet/IP Operation Manual  
W472 - CJ2 Hardware Manual  
W473 - CJ2 Software Manual  
W452 - NSJ Operation Manual  
V227 - W4S EtherNet/IP Switch

# OMRON

OMRON ELECTRONICS LLC • THE AMERICAS HEADQUARTERS

Schaumburg, IL USA • 847.843.7900 • 800.556.6766 • [www.omron247.com](http://www.omron247.com)

**OMRON CANADA, INC. • HEAD OFFICE**

Toronto, ON, Canada • 416.286.6465 • 866.986.6766 • [www.omron247.com](http://www.omron247.com)

**OMRON ELETRÔNICA DO BRASIL LTDA • HEAD OFFICE**

São Paulo, SP, Brasil • 55.11.2101.6300 • [www.omron.com.br](http://www.omron.com.br)

**OMRON ELECTRONICS MEXICO SA DE CV • HEAD OFFICE**

Apodaca, N.L. • 52.811.156.99.10 • 001.800.556.6766 • [mela@omron.com](mailto:mela@omron.com)

**OMRON ARGENTINA • SALES OFFICE**

Cono Sur • 54.11.4783.5300

**OMRON CHILE • SALES OFFICE**

Santiago • 56.9.9917.3920

**OTHER OMRON LATIN AMERICA SALES**

54.11.4783.5300