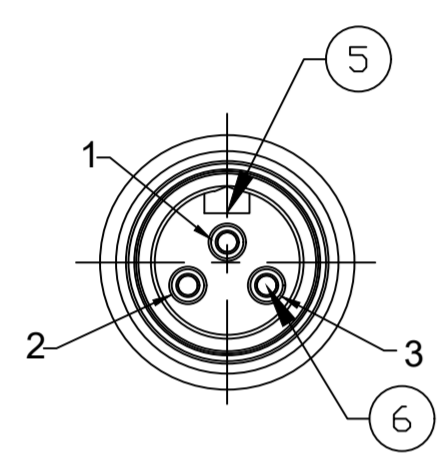


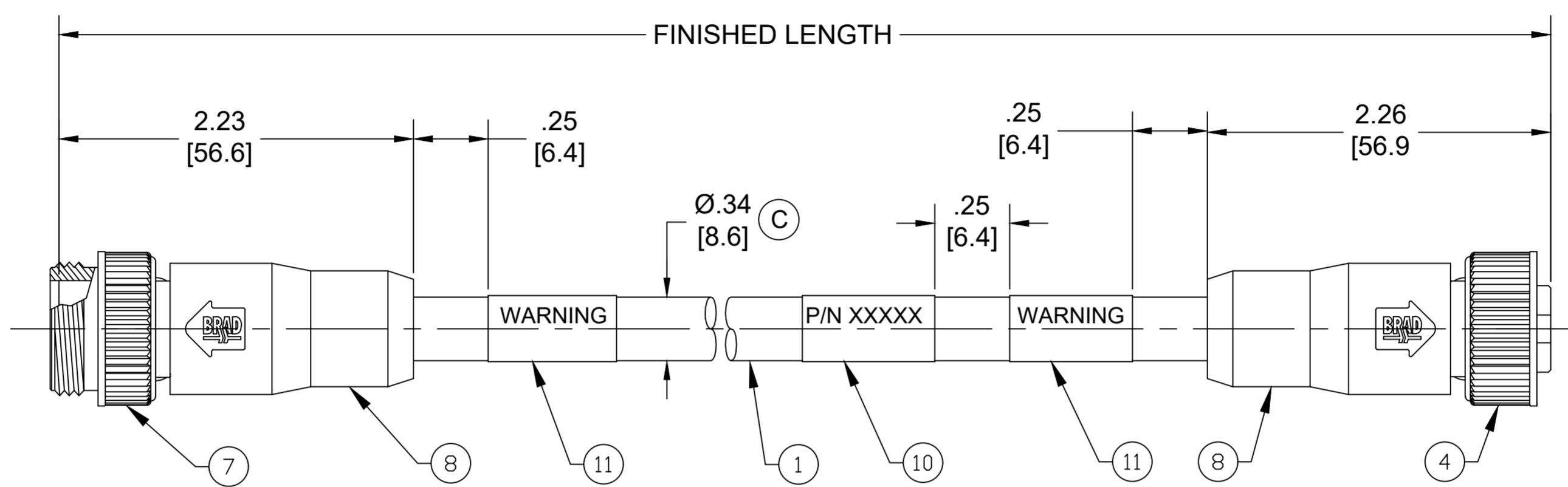
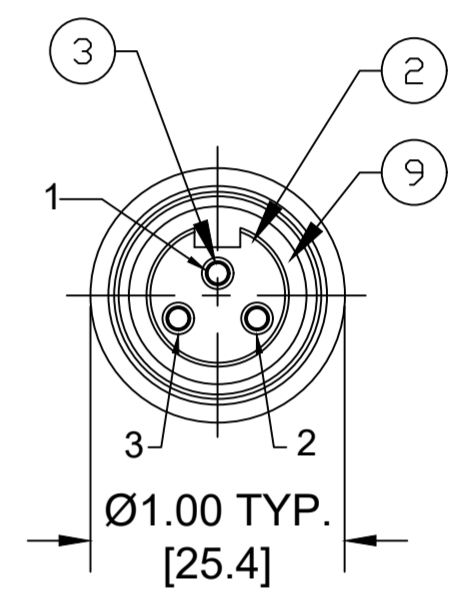
PART NO	ENGINEERING NO.	FINISHED LENGTH
1300621009	113030K20M020	2M [6 FT 7 IN]
1300621153	113030K20M900G	90M [295 FT 3 IN]
1300621122	113030K20T170E	170M [557 FT 9 IN]

CABLE LENGTH TOLERANCES	
<.3M [1FT]:	+19mm-0 [+.75in-0]
.3 - .9M [1 - 3FT]:	+44.5mm-0 [+1.75in-0]
.9 - 1.8M [3 - 6FT]:	+55.6mm-0 [+2.19in-0]
1.8 - 3.7M [6 - 12FT]:	+88.9mm-0 [+3.50in-0]
3.7 - 7.3M [12 - 24FT]:	+165.1mm-0 [+6.50in-0]
7.3-14.6M [24 - 48FT]:	+317.5mm-0 [+12.50in-0]
14.6 - 30.5M [48-100FT]:	+622.3mm-0 [+24.50in-0]
OVER 30M [100FT]	+2% OF FINISHED LENGTH

MALE - FACE VIEW



FEMALE - FACE VIEW



- NOTES:**
1. MATERIAL: AS NOTED
 2. FINISH: AS NOTED
 3. ELECTRICAL:
VOLTAGE: 500V PER IEC60664
600V PER UL2237
CURRENT: 15A
 4. TEMP RATING: -20° TO +90°C
 5. PROTECTION: IP67 (WHEN MATED)
 6. COUPLING THREAD: 7/8"-16UN
 7. UL LISTED FILE: E258922
 8. ALL DIMENSIONS ARE FOR REFERENCE UNLESS TOLERANCED OR NOTED OTHERWISE

PART NO. MATRIX
113030K20M020E

FINISHED LENGTH
M005= 0.5 METER
M010= 1 METER
M100= 10 METER
T100= 100 FEET
T150= 150 FEET

MOLD COLOR:
BLANK= GRAY (STD)
E= RED
G= BLACK

1	GRN/YEL	1
2	BLACK	2
3	WHITE	3

WIRING DIAGRAM

ITEM	COMPONENT	MATERIAL	FINISH
11	WARNING LABEL	VINYL	ORANGE/BLACK
10	WRAP LABEL	VINYL	BLACK/YELLOW
9	FRICTION RING	NYLON	NATURAL
8	OVERMOLD	TPE	SEE P/N MATRIX
7	MALE COUPLING NUT	ZINC ALLOY	BLACK E-COAT
6	CONTACT PIN	Cu ALLOY	GOLD PLATED
5	MALE INSERT	TPE	BLACK
4	FEMALE COUPLING NUT	ZINC ALLOY	BLACK E-COAT
3	CONTACT SOCKET	Cu ALLOY	GOLD PLATED
2	FEMALE INSERT	TPE	BLACK
1	CABLE 14AWG TC-ER	TPE JACKET	BLACK

FUNCTIONAL SYMBOLS $F_A=0$ $F_C=0$ $F_P=0$ DIVISIONAL SYMBOLS	THIS DRAWING CONTAINS INFORMATION THAT IS PROPRIETARY TO MOLEX ELECTRONIC TECHNOLOGIES, LLC AND SHOULD NOT BE USED WITHOUT WRITTEN PERMISSION		CURRENT REV DESC: ITEM 2, 5 & 8 WERE PVC. ADDED CABLE DIA. MODIFIED PART NUMBER CHART	
	DIMENSION UNITS	SCALE	EC NO: 663067	
	INCH/MM	NTS	DRWN: ABENJAMINLW	2020/10/28
	GENERAL TOLERANCES (UNLESS SPECIFIED)		CHK'D: RSTONE	2021/05/06
		APPR: BWOODMAN	2021/05/13	
		INITIAL REVISION:		
		DRWN: GGUSTAFS	2014/07/09	
		APPR: BWOODMAN	2014/09/04	
ANGULAR TOL ± --- °		THIRD ANGLE PROJECTION	DRAWING	
DRAFT WHERE APPLICABLE MUST REMAIN WITHIN DIMENSIONS			SERIES	
		C-SIZE	130062	
DOCUMENT STATUS		DOCUMENT NUMBER	DOC TYPE/DOC PART	
P1	RELEASE DATE	SD-130062-021	PSD 001	
2021/05/13	00:30:14	CUSTOMER	REVISION	
		GENERAL MARKET	C	
		MATERIAL NUMBER	SHEET NUMBER	
		SEE CHART	1 OF 1	