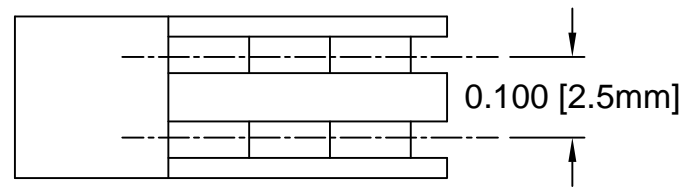
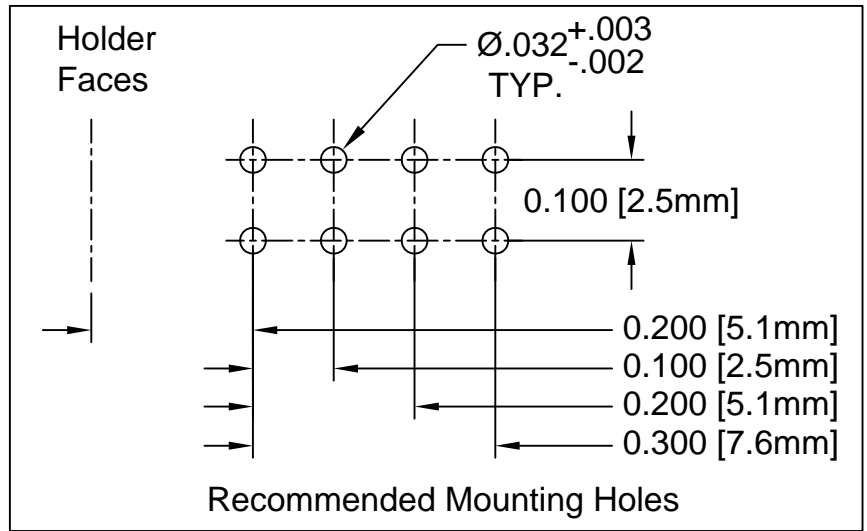
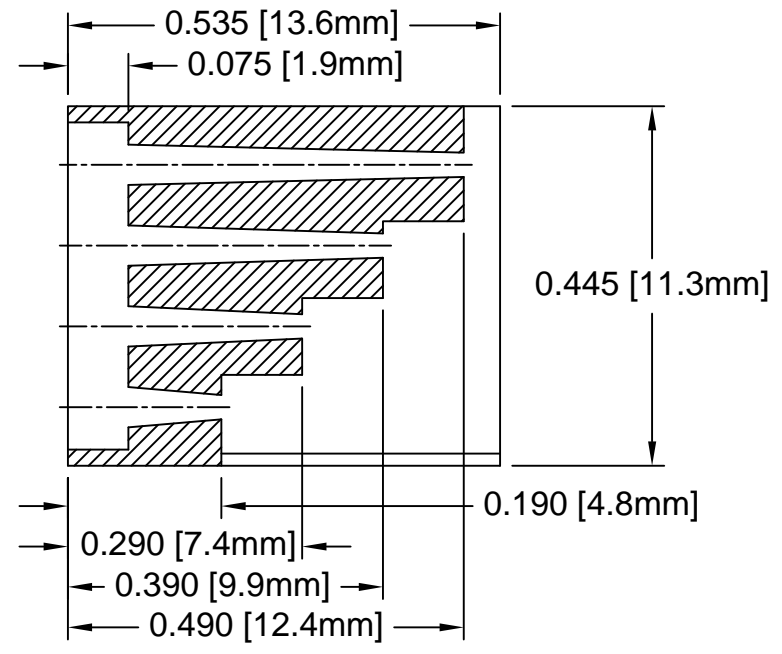
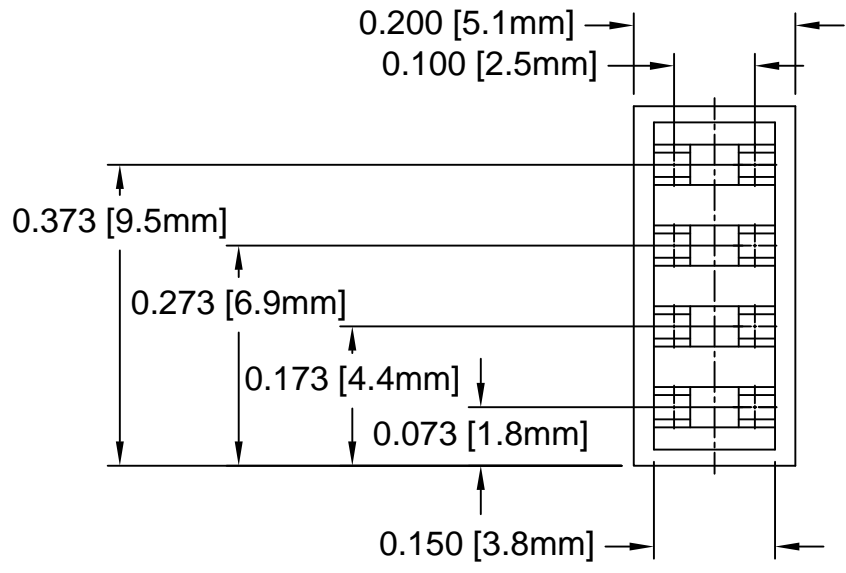

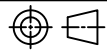


REV.	DESCRIPTION	DATE	APPROVED
B	Engineering Update w/o Changes	02/27/04	M. C.
C	Removed Material Code & P/N Correction	05/28/16	J. C.



- 2. MATERIAL: NYLON 6/6, 94V-0, BLACK.
- 1. GENERAL SPECIFICATIONS: BIVAR MOLDED COMPONENT SPECIFICATION BV00-E101.

STANDARD TOLERANCE (UNLESS OTHERWISE SPECIFIED)		 4 THOMAS, IRVINE, CA. 92618 TEL: (949) 951-8808 FAX: (949) 951-3974		
DECIMALS	ANGULAR			
.X ± .1	X° ± 1°		TITLE: QUAD-LEVEL 2mm LED HOLDER	
.XX ± .01			PART NO: H-485C	REVISION: C
.XXX ± .005			CAGE CODE : 32559	SHEET # 1 OF 1
DESIGNED: S. Irving	DATE: 05/03/99	CAD GENERATED DOCUMENT. DO NOT MEASURE DRAWING.		
CHECKED: M. Chen	DATE: 12/10/03			