

## Broadband DC Blocked Protector

DC blocked 50 ohm bulkhead mounted protector is ideal for two way radio and SCADA applications.

### Features

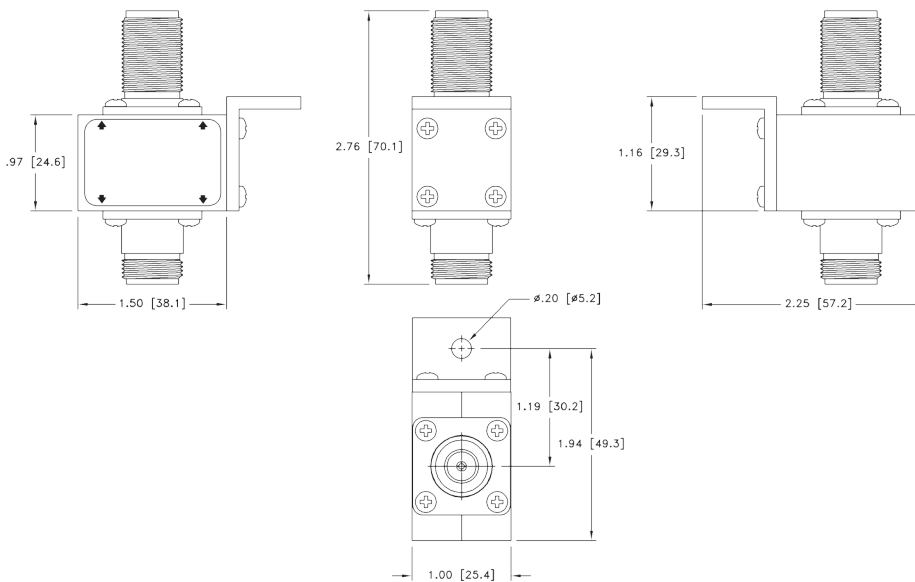
- Ideal for HF, UHF, VHF radios
- DC blocked gas tube design
- No DC continuity between center pins
- Multi-strike capability

### Standards and Certificates

- RoHS compliant



PCT-BWS07



### Technical Data

<b>Mount Type:</b> Bulkhead
<b>Protected Side Connector:</b> N Female
<b>Surge Side Connector:</b> N Female
<b>Turn On Voltage:</b> 600 VDC $\pm$ 20%
<b>RF Power:</b> VHF 375 W, UHF 125 to 50 W

### Mechanical Specifications

Model	Frequency Range	VSWR	Insertion Loss	Operating Temperature
PCT-BWS07	1.5-1000 MHz	$\leq 1.1:1$ over frequency range	$\leq 0.1$ dB	-45°C to 85°C

