

74F579

8-Bit Bidirectional Binary Counter with 3-STATE Outputs

General Description

The 74F579 is a fully synchronous 8-stage up/down counter with multiplexed 3-STATE I/O ports for bus-oriented applications. It features a preset capability for programmable operation, carry lookahead for easy cascading and a U/D input to control the direction of counting. All state changes, whether in counting or parallel loading, are initiated by the rising edge of the clock.

Features

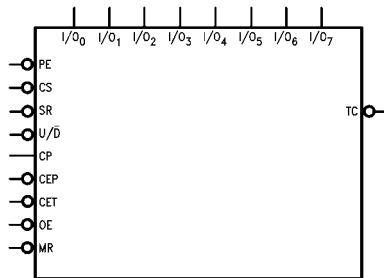
- Multiplexed 3-STATE I/O ports
- Built-in lookahead carry capability
- Count frequency 100 MHz typical
- Supply current 75 mA typical
- Guaranteed 4000V minimum ESD protection

Ordering Code:

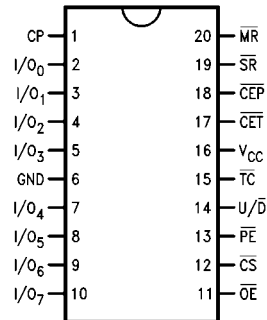
| Order Number | Package Number | Package Description |
|--------------|----------------|--|
| 74F579SC | M20B | 20-Lead Small Outline Integrated Circuit (SOIC), JEDEC MS-013, 0.300" Wide |
| 74F579SJ | M20D | 20-Lead Small Outline Package (SOP), EIAJ TYPE II, 5.3mm Wide |
| 74F579PC | N20A | 20-Lead Plastic Dual-In-Line Package (PDIP), JEDEC MS-001, 0.300 Wide |

Devices also available in Tape and Reel. Specify by appending the suffix letter "X" to the ordering code.

Logic Symbol



Connection Diagram



74F579 8-Bit Bidirectional Binary Counter with 3-STATE Outputs

Unit Loading/Fan Out

| Pin Names | Description | U.L. | Input I_{IH}/I_{IL} |
|------------------------------------|--|--------------------|-----------------------------------|
| | | HIGH/LOW | Output I_{OH}/I_{OL} |
| I/O ₀ -I/O ₇ | Data Inputs or 3-STATE Outputs | 3.5/0.333 75/15 | 70 μ A/-0.2 mA -3 mA/24 mA |
| \overline{PE} | Parallel Enable Input (Active LOW) | 0.25/0.333 | 5 μ A/-0.2 mA |
| $\overline{U/D}$ | Up-Down Count Control Input | 0.25/0.333 | 5 μ A/-0.2 mA |
| \overline{MR} | Master Reset Input (Active LOW) | 0.25/0.333 | 5 μ A/-0.2 mA |
| \overline{SR} | Synchronous Reset Input (Active LOW) | 0.25/0.333 | 5 μ A/-0.2 mA |
| \overline{CEP} | Count Enable Parallel Input (Active LOW) | 0.25/0.333 | 5 μ A/-0.2 mA |
| \overline{CET} | Count Enable Trickle Input (Active LOW) | 0.25/0.333 | 5 μ A/-0.2 mA |
| \overline{CS} | Chip Select Input Active (Active LOW) | 0.25/0.333 | 5 μ A/-0.2 mA |
| \overline{OE} | Output Enable Input (Active LOW) | 0.25/0.333 | 5 μ A/-0.2 mA |
| CP | Clock Pulse Input (Active Rising Edge) | 0.25/0.333 | 5 μ A/-0.2 mA |
| \overline{TC} | Terminal Count Output (Active LOW) | 25/12.5 | -1 mA/5 mA |

Function Table

| \overline{MR} | \overline{SR} | \overline{CS} | \overline{PE} | \overline{CEP} | \overline{CET} | $\overline{U/D}$ | \overline{OE} | CP | Function |
|-----------------|-----------------|-----------------|-----------------|------------------|------------------|------------------|-----------------|------------|--|
| X | X | H | X | X | X | X | X | X | I/O _a to I/O _h in High Z (\overline{PE} Disabled) |
| X | X | L | H | X | X | X | H | X | I/O _a to I/O _h in High Z |
| X | X | L | H | X | X | X | L | X | Flip-Flop Outputs Appear on I/O Lines |
| L | X | X | X | X | X | X | X | X | Asynchronous Reset for all Flip-Flops |
| H | L | X | X | X | X | X | X | \nearrow | Synchronous Reset for all Flip-Flops |
| H | H | L | L | X | X | X | X | \nearrow | Parallel Load all Flip-Flops |
| H | H | (Not LL) | H | X | X | X | X | \nearrow | Hold |
| H | H | (Not LL) | X | H | X | X | X | \nearrow | Hold (\overline{TC} Held HIGH) |
| H | H | (Not LL) | L | L | H | X | X | \nearrow | Count Up |
| H | H | (Not LL) | L | L | L | X | X | \nearrow | Count Down |

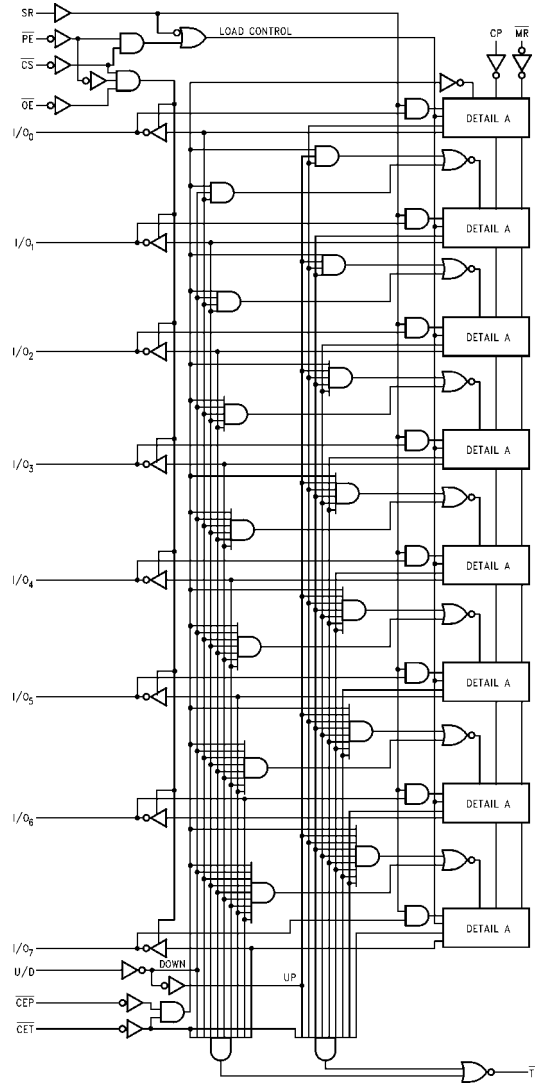
H = HIGH Voltage Level

L = LOW Voltage Level

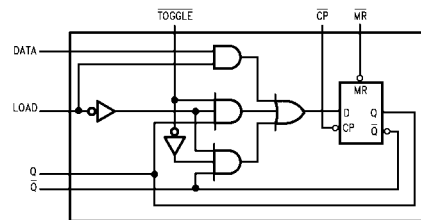
X = Immaterial

 \nearrow = LOW to HIGH Clock TransitionNot LL = \overline{CS} and \overline{PE} should never both be LOW voltage level at the same time.

Logic Diagrams



Please note that this diagram is provided only for the understanding of logic operations and should not be used to estimate propagation delays.



V_{CC} = Pin 16 GND = Pin 6 () = Pin Numbers

Detail A

Absolute Maximum Ratings (Note 1)

| | |
|--|--------------------------------------|
| Storage Temperature | -65°C to +150°C |
| Ambient Temperature under Bias | -55°C to +125°C |
| Junction Temperature under Bias | -55°C to +150°C |
| V _{CC} Pin Potential to Ground Pin | -0.5V to +7.0V |
| Input Voltage (Note 2) | -0.5V to +7.0V |
| Input Current (Note 2) | -30 mA to +5.0 mA |
| Voltage Applied to Output in HIGH State (with V _{CC} = 0V) | |
| Standard Output | -0.5V to V _{CC} |
| 3-STATE Output | -0.5V to +5.5V |
| Current Applied to Output in LOW State (Max) | twice the rated I _{OL} (mA) |
| ESD Last Passing Voltage (Min) | 4000V |

Recommended Operating Conditions

| | |
|------------------------------|----------------|
| Free Air Ambient Temperature | 0°C to +70°C |
| Supply Voltage | +4.5V to +5.5V |

Note 1: Absolute maximum ratings are values beyond which the device may be damaged or have its useful life impaired. Functional operation under these conditions is not implied.

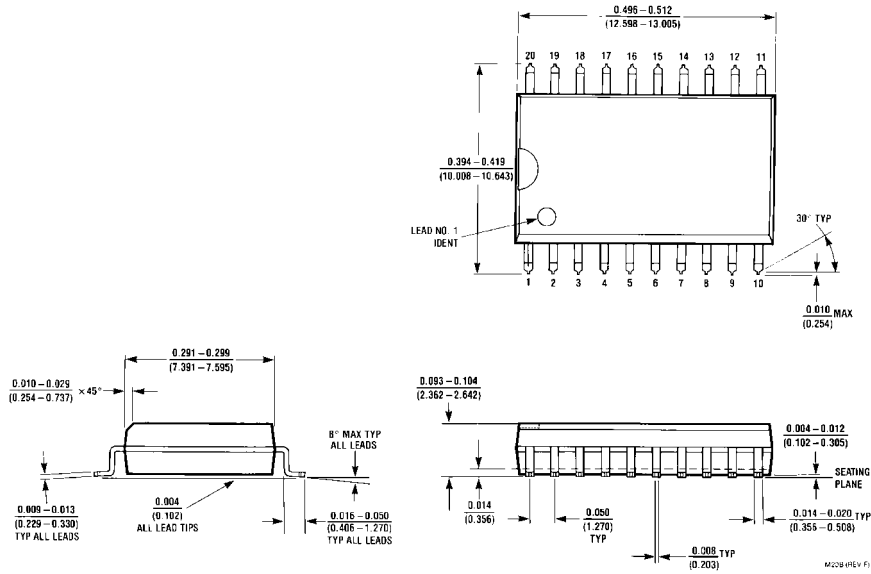
Note 2: Either voltage limit or current limit is sufficient to protect inputs.

DC Electrical Characteristics

| Symbol | Parameter | Min | Typ | Max | Units | V _{CC} | Conditions |
|------------------------------------|------------------------------------|---|------------|------------|-------|-----------------|--|
| V _{IH} | Input HIGH Voltage | 2.0 | | | V | | Recognized as a HIGH Signal |
| V _{IL} | Input LOW Voltage | | | 0.8 | V | | Recognized as a LOW Signal |
| V _{CD} | Input Clamp Diode Voltage | | | -1.2 | V | Min | I _{IN} = -18 mA |
| V _{OH} | Output HIGH Voltage | 10% V _{CC} 5% V _{CC} | 2.4 2.7 | | V | Min | I _{OH} = -3 mA |
| V _{OL} | Output LOW Voltage | 10% V _{CC} 5% V _{CC} | | 0.5 0.5 | V | Min | I _{OL} = 20 mA (T _C), I _{OL} = 24 mA (I/O _n) I _{OL} = 20 mA (T _C), I _{OL} = 24 mA (I/O _n) |
| I _{IH} | Input HIGH Current | | | 5.0 | μA | Max | V _{IN} = 2.7V (Non-I/O Pins) |
| I _{BVI} | Input HIGH Current Breakdown Test | | | 7.0 | μA | Max | V _{IN} = 7.0V (Non-I/O Pins) |
| I _{BVIT} | Input HIGH Current Breakdown (I/O) | | | 0.5 | mA | Max | V _{IN} = 5.5V (I/O _n) |
| I _{CEX} | Output HIGH Leakage Current | | | 50 | μA | Max | V _{OUT} = V _{CC} |
| V _{ID} | Input Leakage Test | 4.75 | | | V | 0.0 | I _{ID} = 1.9 μA All Other Pins Grounded |
| I _{OD} | Output Leakage Circuit Control | | | 3.75 | μA | 0.0 | V _{IOD} = 150 mV All Other Pins Grounded |
| I _{ZZ} | Bus Drainage Test | | 500 | | μA | 0.0 | V _{OUT} = 5.25V |
| I _{IL} | Input LOW Current | | | -0.2 | mA | Max | V _{IN} = 0.5V (Non-I/O Pins) |
| I _{IH} & I _{OZH} | Output Leakage Current | | | 70 | μA | Max | V _{OUT} = 2.7V (I/O _n) |
| I _{IL} & I _{OZL} | Output Leakage Current | | | -200 | μA | Max | V _{OUT} = 0.5V (I/O _n) |
| I _{OS} | Output Short-Circuit Current | -60 | | -150 | mA | Max | V _{OUT} = 0V |
| I _{CCH} | Power Supply Current | | 70 | 110 | mA | Max | V _O = HIGH |
| I _{CCL} | Power Supply Current | | 85 | 120 | mA | Max | V _O = LOW |
| I _{CCZ} | Power Supply Current | | 85 | 125 | mA | Max | V _O = HIGH Z |

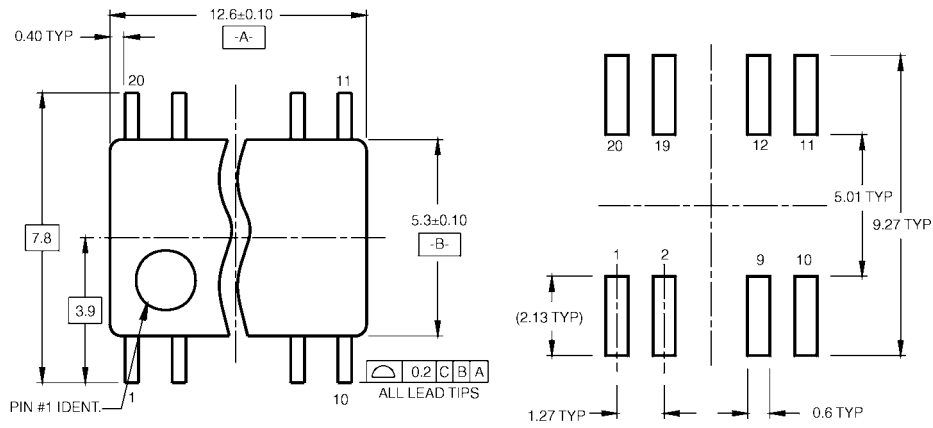
| AC Electrical Characteristics | | | | | | | |
|-------------------------------|--|---|------|------|--|------|-------|
| Symbol | Parameter | T _A = +25°C V _{CC} = +5.0V C _L = 50 pF | | | T _A = 0°C to +70°C V _{CC} = +5.0V C _L = 50 pF | | Units |
| | | Min | Typ | Max | Min | Max | |
| t _{MAX} | Maximum Clock Frequency | 70 | 85 | | 80 | | |
| t _{PLH} | Propagation Delay | 3.0 | 5.0 | 7.5 | 3.0 | 8.0 | ns |
| t _{PHL} | CP to I/O _n | 5.0 | 8.0 | 11.5 | 5.0 | 11.5 | |
| t _{PLH} | Propagation Delay | 5.0 | 7.5 | 11.5 | 5.0 | 12.0 | ns |
| t _{PHL} | CP to \overline{TC} | 5.0 | 7.0 | 11.5 | 5.0 | 12.0 | |
| t _{PLH} | Propagation Delay | 4.5 | 7.0 | 9.0 | 4.5 | 10.0 | ns |
| t _{PHL} | U/ \overline{D} to \overline{TC} | 4.5 | 8.0 | 9.5 | 4.5 | 10.0 | |
| t _{PLH} | Propagation Delay | 2.5 | 3.8 | 6.0 | 2.5 | 6.5 | ns |
| t _{PHL} | CEP or CET to TC | 3.5 | 6.0 | 8.0 | 3.5 | 8.5 | |
| t _{PHL} | Propagation Delay | 5.0 | 7.5 | 10.0 | 5.0 | 10.0 | ns |
| t _{PHL} | Propagation Delay | 6.5 | 10.0 | 13.0 | 6.5 | 13.5 | ns |
| t _{PZH} | Output Enable Time | 3.0 | 5.0 | 8.5 | 3.0 | 9.0 | ns |
| t _{PZL} | \overline{CS} or \overline{PE} to I/O | 5.5 | 8.0 | 10.5 | 5.5 | 11.5 | |
| t _{PHZ} | Output Disable Time | 2.0 | 5.0 | 8.5 | 2.0 | 9.0 | ns |
| t _{PLZ} | \overline{CS} or \overline{PE} to I/O | 2.0 | 4.5 | 8.0 | 2.0 | 8.5 | |
| t _{PZH} | Output Enable Time | 3.0 | 5.0 | 8.0 | 3.0 | 8.5 | ns |
| t _{PZL} | \overline{OE} to I/O _n | 5.0 | 8.0 | 11.0 | 5.0 | 12.0 | |
| t _{PHZ} | Output Disable Time | 2.0 | 4.0 | 6.5 | 2.0 | 6.5 | ns |
| t _{PLZ} | \overline{OE} to I/O _n | 2.0 | 4.0 | 6.0 | 2.0 | 6.5 | |
| AC Operating Requirements | | | | | | | |
| Symbol | Parameter | T _A = +25°C V _{CC} = +5.0V | | | T _A = 0°C to +70°C V _{CC} = +5.0V | | Units |
| | | Min | Typ | Max | Min | Max | |
| t _S (H) | Setup Time | 4.0 | | | 4.0 | | ns |
| t _S (L) | I/O _n to CP | 4.0 | | | 4.0 | | |
| t _H (H) | Hold Time | 0.0 | | | 0.0 | | ns |
| t _H (L) | I/O _n to CP | 0.0 | | | 0.0 | | |
| t _S (H) | Setup Time | 9.5 | | | 9.5 | | ns |
| t _S (L) | \overline{PE} , \overline{CS} or \overline{SR} to CP | 9.5 | | | 9.5 | | |
| t _H (H) | Hold Time | 0.0 | | | 0.0 | | ns |
| t _H (L) | \overline{PE} , \overline{CS} or \overline{SR} to CP | 0.0 | | | 0.0 | | |
| t _S (H) | Setup Time | 6.5 | | | 6.5 | | ns |
| t _S (L) | CET or CEP to CP | 9.5 | | | 9.5 | | |
| t _H (H) | Hold Time | 0.0 | | | 0.0 | | ns |
| t _H (L) | \overline{CET} or \overline{CEP} to CP | 0.0 | | | 0.0 | | |
| t _S (H) | Setup Time | 9.0 | | | 9.5 | | ns |
| t _S (L) | U/ \overline{D} to CP | 9.0 | | | 9.5 | | |
| t _H (H) | Hold Time | 0.0 | | | 0.0 | | ns |
| t _H (L) | U/ \overline{D} to CP | 0.0 | | | 0.0 | | |
| t _W (H) | Clock Pulse Width | 4.5 | | | 4.5 | | ns |
| t _W (L) | HIGH or LOW | 4.5 | | | 4.5 | | |
| t _W (L) | \overline{MR} Pulse Width | 3.0 | | | 3.0 | | ns |
| t _{REC} | Recovery Time | 4.0 | | | 4.0 | | ns |
| | \overline{MR} to CP | | | | | | |

Physical Dimensions inches (millimeters) unless otherwise noted

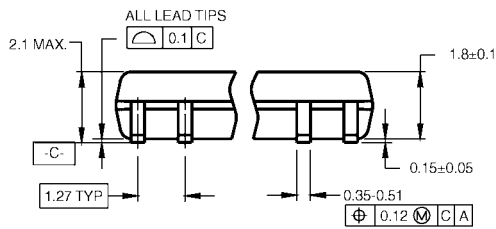


**20-Lead Small Outline Integrated Circuit (SOIC), JEDEC MS-013, 0.300" Wide
Package Number M20B**

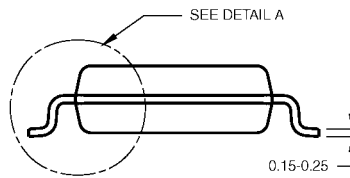
Physical Dimensions inches (millimeters) unless otherwise noted (Continued)



LAND PATTERN RECOMMENDATION



DIMENSIONS ARE IN MILLIMETERS



DETAIL A

- NOTES:
- A. CONFORMS TO EIAJ EDR-7320 REGISTRATION, ESTABLISHED IN DECEMBER, 1998.
 - B. DIMENSIONS ARE IN MILLIMETERS.
 - C. DIMENSIONS ARE EXCLUSIVE OF BURRS, MOLD FLASH, AND TIE BAR EXTRUSIONS.

M20DRevB1

**20-Lead Small Outline Package (SOP), EIAJ TYPE II, 5.3mm Wide
Package Number M20D**

