

MATERIALS AND FINISHES

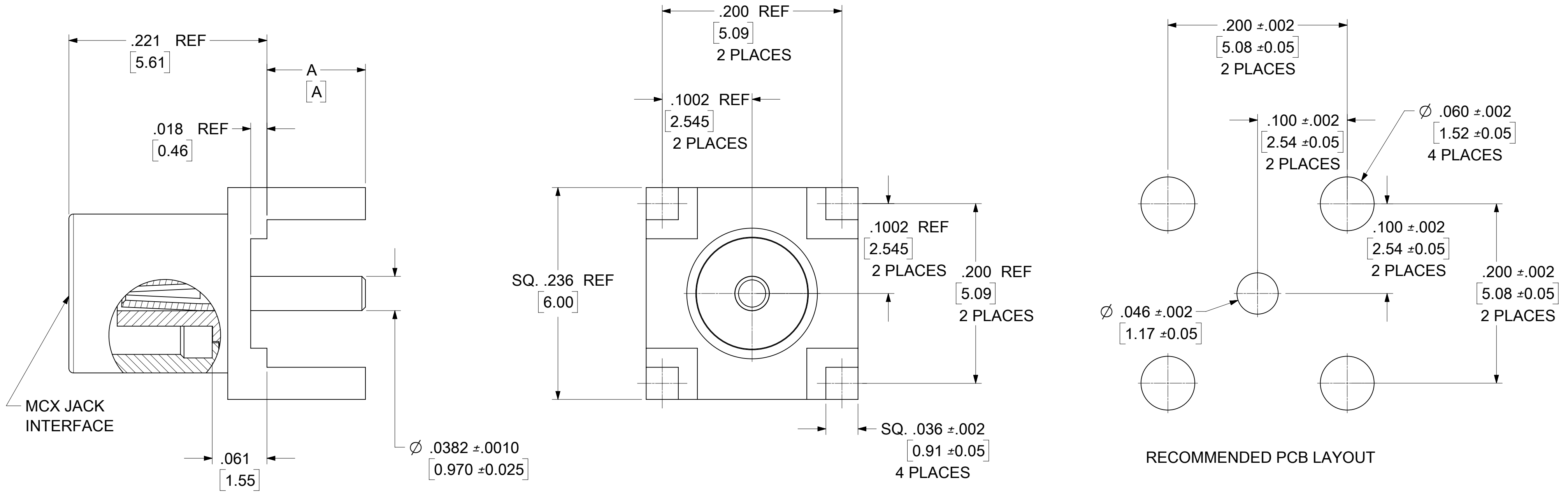
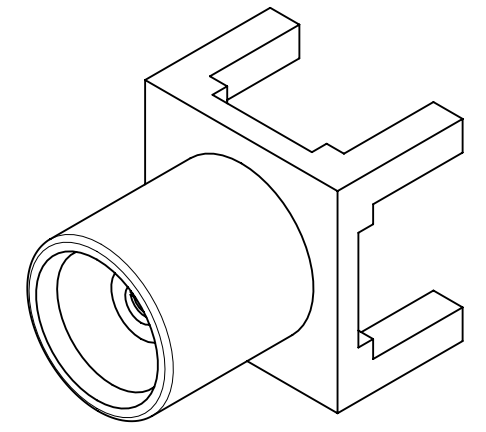
BODY: BRASS
PLATED SEE TABLE

CENTER CONTACT: BERYLLIUM COPPER
PLATED GOLD

INSULATOR: TEFLON

ELECTRICAL & MECHANICAL REQUIREMENTS:

1. FREQUENCY RATING: DC TO 6 GHz
2. MATING AND UN-MATING FORCE
MATING FORCE: 14 LBS MAX
UN-MATING FORCE: 1.8 LBS TO 7 LBS MAX.
3. CENTER CONTACT RETENTION FORCE: 2.25 LBS MIN.
4. CONNECTOR DURABILITY: 500 CYCLES
5. VSWR: 1.2 MAX. @ DC-6 GHz
6. INSERTION LOSS: 0.18 dB MAX. @ DC-6 GHz
7. DIELECTRIC WITHSTANDING VOLTAGE: 1000Vrms.
8. INSULATION RESISTANCE: 1 GΩ MIN. INITIAL



73415-4223	GOLD	.155 REF	3.94 REF
73415-4222	NICKEL	.110 REF	2.79 REF
73415-4221	TIN	.110 REF	2.79 REF
73415-4220	GOLD	.110 REF	2.79 REF
PART NO.	BODY PLATING	IN	MM
DIM(X)		DIM A	

CECC-22-220	MCX INTERFACE
SPECIFICATION	DESCRIPTION

A5	2020/07/08	ADD ELEC. & MECHAN. ; DELETE PS PER EWR13848-B
REV	DATE	DESCRIPTION

FUNCTIONAL SYMBOLS	THIS DRAWING CONTAINS INFORMATION THAT IS PROPRIETARY TO MOLEX ELECTRONIC TECHNOLOGIES, LLC AND SHOULD NOT BE USED WITHOUT WRITTEN PERMISSION		
	DIMENSION UNITS	SCALE	CURRENT REV DESC:
$\frac{E}{A} = 0$	IN/MM	NTS	EC NO: 640594 DRWN: CWEI02 CHK'D: YCHENG APPR: YCHENG INITIAL REVISION: DRWN: AZR APPR: GMH
$\frac{E}{C} = 0$	GENERAL TOLERANCES (UNLESS SPECIFIED)		
$\frac{E}{P} = 0$	ANGULAR TOL ± 2.0°		
DIVISIONAL SYMBOLS	4 PLACES ±	2020/06/17	
	3 PLACES ±	2020/07/08	2020/07/08
	2 PLACES ±	2020/07/08	2020/07/08
	1 PLACE ±		
	0 PLACES ±		
DRAFT WHERE APPLICABLE MUST REMAIN WITHIN DIMENSIONS	THIRD ANGLE PROJECTION	DRAWING	SERIES
		C-SIZE	73415
DOCUMENT STATUS	P1	RELEASE DATE	2020/07/08 06:50:28
DOCUMENT NUMBER		DOC TYPE	DOC PART
SD-73415-422		PSD	001
MATERIAL NUMBER		CUSTOMER	SHEET NUMBER
SEE TABLE		GENERAL MARKET	1 OF 2

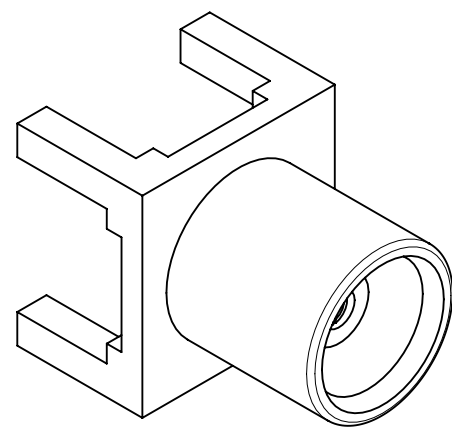
molex

MCX JACK VERT PCB TH
50 OHM, EWR-2524 MCX-J/PCB

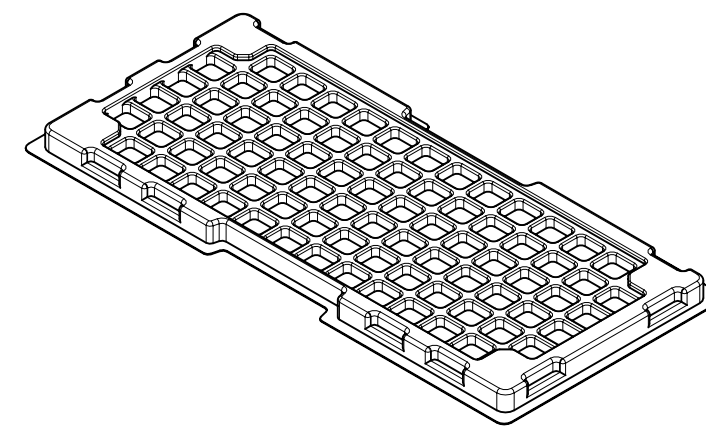
PRODUCT CUSTOMER DRAWING

SD-73415-422

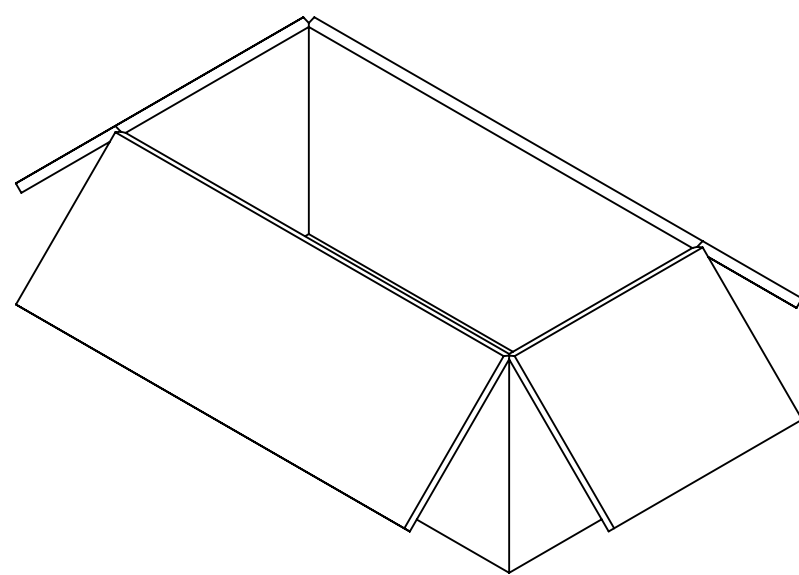
PSD 001 A5



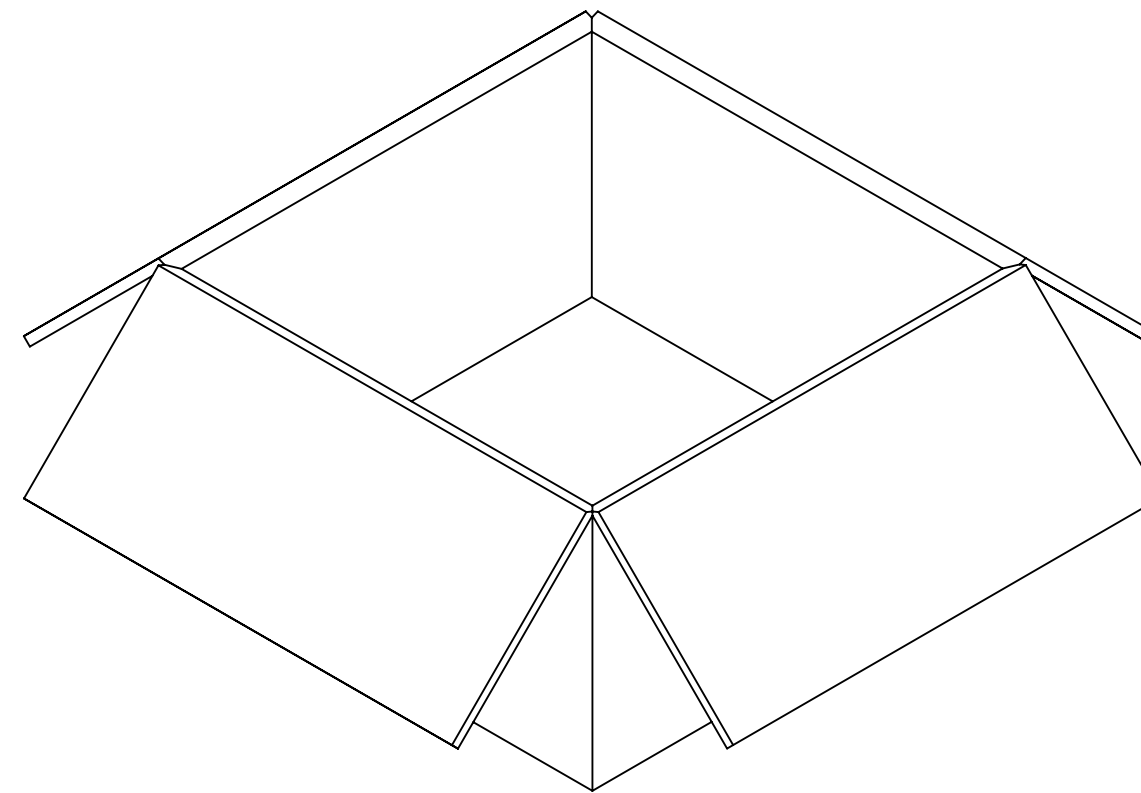
PART NO.: 73415-4220, 73415-4221
73415-4222, 73415-4223



80 SETS PER TRAY
P/N: 89707-0190



1600 SETS PER INNER CARTON BOX
P/N: 96707-0001



3200 SETS PER OUTER CARTON BOX
P/N: 96708-0005

FUNCTIONAL SYMBOLS $\frac{E}{A} = 0$ $\frac{E}{C} = 0$ $\frac{E}{P} = 0$	THIS DRAWING CONTAINS INFORMATION THAT IS PROPRIETARY TO MOLEX ELECTRONIC TECHNOLOGIES, LLC AND SHOULD NOT BE USED WITHOUT WRITTEN PERMISSION													
	DIMENSION UNITS		SCALE		CURRENT REV DESC:									
	IN/MM		NTS		EC NO: 640594									
	GENERAL TOLERANCES (UNLESS SPECIFIED)										DRWN: CWEI02 2020/06/17 CHK'D: YCHENG 2020/07/08 APPR: YCHENG 2020/07/08			
ANGULAR TOL $\pm 2.0^\circ$										INITIAL REVISION: DRWN: AZR 2003/04/09 APPR: GMH 2003/09/03				
DIVISIONAL SYMBOLS										DOCUMENT NUMBER SD-73415-422		DOC TYPE PSD	DOC PART 001	REVISION A5
DRAFT WHERE APPLICABLE MUST REMAIN WITHIN DIMENSIONS					THIRD ANGLE PROJECTION		DRAWING	SERIES	MATERIAL NUMBER		CUSTOMER		SHEET NUMBER	
							C-SIZE	73415	SEE TABLE		GENERAL MARKET		2 OF 2	