

# GTL2014

## 4-bit LVTTTL to GTL transceiver

Rev. 3.1 — 16 August 2021

Product data sheet

## 1 General description

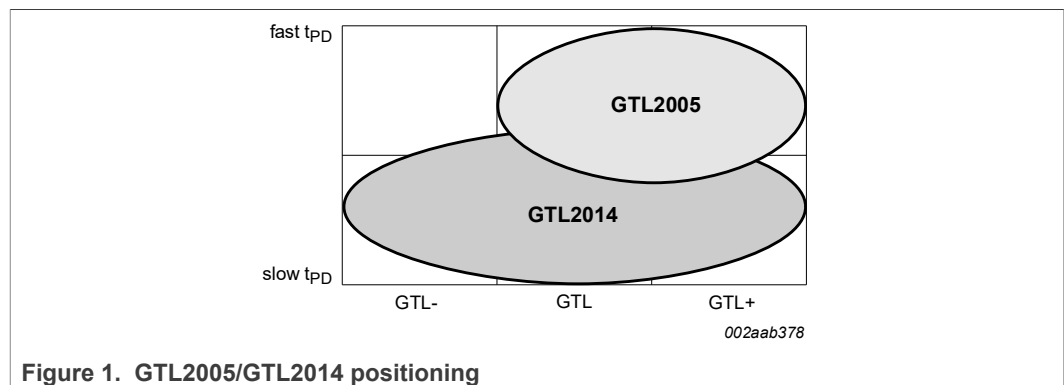
The GTL2014 is a 4-bit translating transceiver designed for 3.3 V LVTTTL system interface with a GTL-/GTL/GTL+ bus, where GTL-/GTL/GTL+ refers to the reference voltage of the GTL bus and the input/output voltage thresholds associated with it.

The direction pin allows the part to function as either a GTL to LVTTTL sampling receiver or as a LVTTTL to GTL interface.

The GTL2014 LVTTTL inputs (only) are tolerant up to 5.5 V allowing direct access to TTL or 5 V CMOS inputs. The LVTTTL outputs are not 5.5 V tolerant.

The GTL2014 GTL inputs and outputs operate up to 3.6 V, allowing the device to be used in higher voltage open-drain output applications.

GTL2014 is pin-to-pin backward compatible to the GTL2005 (labels for A port and B port are interchanged). GTL2014's  $V_{ref}$  tracks down to 0.5 V for low voltage CPU, propagation delays are slightly longer, while GTL2005's  $V_{ref}$  linearity degrades below 0.8 V and has shorter propagation delay.



## 2 Features and benefits

- Operates as a 4-bit GTL-/GTL/GTL+ sampling receiver or as a LVTTTL to GTL-/GTL/GTL+ driver
- 3.0 V to 3.6 V operation with 5 V tolerant LVTTTL input
- GTL input and output 3.6 V tolerant
- $V_{ref}$  adjustable from 0.5 V to  $V_{CC}/2$
- Partial power-down permitted
- ESD protection exceeds 2000 V HBM per JESD22-A114 and 1000 V CDM per JESD22-CC101
- Latch-up protection exceeds 500 mA per JESD78
- Package offered: TSSOP14



### 3 Quick reference data

Table 1. Quick reference data

 $T_{amb} = 25\text{ }^{\circ}\text{C}$ 

Symbol	Parameter	Conditions	Min	Typ	Max	Unit
$t_{PLH}$	LOW to HIGH propagation delay	An-to-Bn; $C_L = 50\text{ pF}$ ; $V_{CC} = 3.3\text{ V}$	-	2.8	-	ns
$t_{PHL}$	HIGH to LOW propagation delay	An-to-Bn; $C_L = 50\text{ pF}$ ; $V_{CC} = 3.3\text{ V}$	-	3.4	-	ns
$t_{PLH}$	LOW to HIGH propagation delay	Bn-to-An; $C_L = 50\text{ pF}$ ; $V_{CC} = 3.3\text{ V}$	-	5.2	-	ns
$t_{PHL}$	HIGH to LOW propagation delay	Bn-to-An; $C_L = 50\text{ pF}$ ; $V_{CC} = 3.3\text{ V}$	-	4.9	-	ns
$C_i$	input capacitance	control inputs; $V_I = 3.0\text{ V}$ or $0\text{ V}$	-	2	2.5	pF
$C_{io}$	input/output capacitance	A port; $V_O = 3.0\text{ V}$ or $0\text{ V}$	-	4.6	6	pF
		B port; $V_O = V_{TT}$ or $0\text{ V}$	-	3.4	4.3	pF

### 4 Ordering information

Table 2. Ordering information

Type number	Topside mark	Package		Version
		Name	Description	
GTL2014PW	GTL2014	TSSOP14	plastic thin shrink small outline package; 10 leads; body width 4.4 mm	SOT402-1

Standard packing quantities and other packaging data are available at [www.nxp.com/packages/](http://www.nxp.com/packages/).

#### 4.1 Ordering options

Table 3. Ordering options

Type number	Orderable part number	Package	Packing method	Minimum order quantity	Temperature
GTL2014PW	GTL2014PW, 118 <sup>[1]</sup>	TSSOP14	REEL 13" Q1/T1 *STANDARD MARK	2500	$T_{amb} = -40\text{ }^{\circ}\text{C}$ to $+85\text{ }^{\circ}\text{C}$
GTL2014PW	GTL2014PWZ	TSSOP14	REEL 13" Q1/T1 *STANDARD MARK SSB <sup>[2]</sup>	2500	$T_{amb} = -40\text{ }^{\circ}\text{C}$ to $+85\text{ }^{\circ}\text{C}$

[1] Discontinued in 202108008DN - drop in replacement is GTL2014PWZ - this is documented in PCN:202102035F01.

[2] This packing method uses a Static Shielding Bag (SSB) solution. Material should be kept in the sealed bag between uses.

**5 Functional diagram**

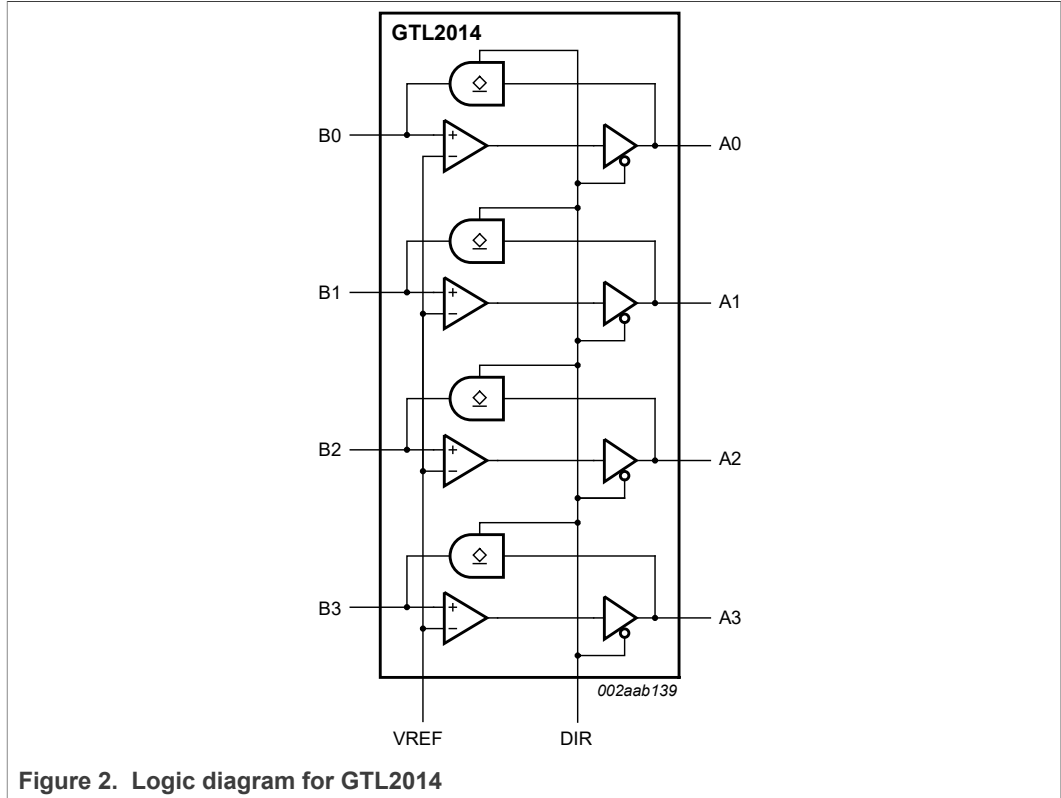


Figure 2. Logic diagram for GTL2014

**6 Pinning information**

**6.1 Pinning**

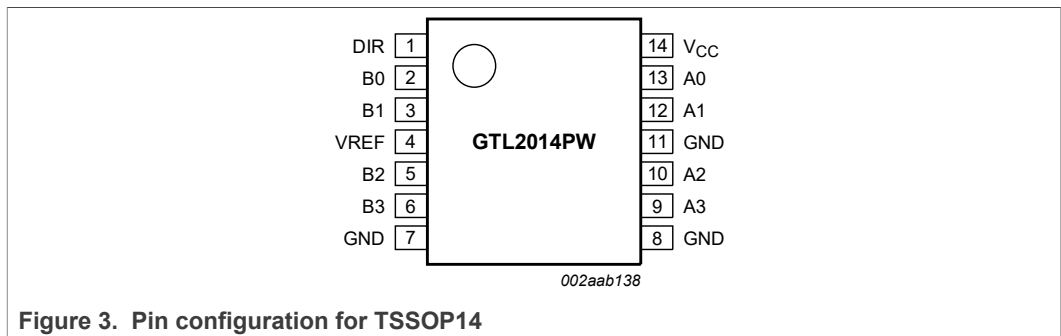


Figure 3. Pin configuration for TSSOP14

**6.2 Pin description**

Table 4. Pin description

Symbol	Pin	Description
DIR	1	direction control input (LVTTTL)
B0	2	data inputs/outputs (GTL)

Table 4. Pin description...continued

Symbol	Pin	Description
B1	3	
B2	5	
B3	6	
A0	13	data inputs/outputs (LVTTTL)
A1	12	
A2	10	
A3	9	
VREF	4	GTL reference voltage
GND	7, 8, 11	ground (0 V)
V <sub>CC</sub>	14	positive supply voltage

## 7 Functional description

Refer to [Figure 2](#).

### 7.1 Function table

Table 5. Function table

*H = HIGH voltage level; L = LOW voltage level.*

Input	Input/output	
DIR	A (LVTTTL)	B (GTL)
H	input	B <sub>n</sub> = A <sub>n</sub>
L	A <sub>n</sub> = B <sub>n</sub>	input

## 8 Limiting values

Table 6. Limiting values

*In accordance with the Absolute Maximum Rating System (IEC 60134).<sup>[1]</sup>*

*Voltages are referenced to GND (ground = 0 V).*

Symbol	Parameter	Conditions	Min	Max	Unit
V <sub>CC</sub>	supply voltage		-0.5	+4.6	V
I <sub>IK</sub>	input clamping current	V <sub>I</sub> < 0 V	-	-50	mA
V <sub>I</sub>	input voltage	A port	-0.5 <sup>[2]</sup>	+7.0	V
		B port	-0.5 <sup>[2]</sup>	+4.6	V
I <sub>OK</sub>	output clamping current	A port; V <sub>O</sub> < 0 V	-	-50	mA
V <sub>O</sub>	output voltage	output in OFF or HIGH state			
		A port	-0.5 <sup>[2]</sup>	+7.0	V
		B port	-0.5 <sup>[2]</sup>	+4.6	V
I <sub>OL</sub>	LOW-level output current	current into any output in the LOW state			

Table 6. Limiting values...continued

In accordance with the Absolute Maximum Rating System (IEC 60134).<sup>[1]</sup>

Voltages are referenced to GND (ground = 0 V).

Symbol	Parameter	Conditions	Min	Max	Unit
		A port	-	32	mA
		B port	-	80	mA
$I_{OH}$	HIGH-level output current	current into any output in the HIGH state; A port	-	-32	mA
$T_{stg}$	storage temperature		<sup>[3]</sup> -60	+150	°C

[1] Stresses beyond those listed may cause permanent damage to the device. These are stress ratings only and functional operation of the device at these or any other conditions beyond those indicated under [Section 9](#) is not implied. Exposure to absolute-maximum-rated conditions for extended periods may affect device reliability.

[2] The input and output negative voltage ratings may be exceeded if the input and output clamp current ratings are observed.

[3] The performance capability of a high-performance integrated circuit in conjunction with its thermal environment can create junction temperatures which are detrimental to reliability. The maximum junction temperature of this integrated circuit should not exceed 150 °C.

## 9 Recommended operating conditions

Table 7. Operating conditions <sup>[1]</sup>

Symbol	Parameter	Conditions	Min	Typ	Max	Unit
$V_{CC}$	supply voltage		3.0	-	3.6	V
$V_{TT}$	termination voltage <sup>[2]</sup>	GTL-	0.85	0.9	0.95	V
		GTL	1.14	1.2	1.26	V
		GTL+	1.35	1.5	1.65	V
$V_{ref}$	reference voltage	overall	0.5	$\frac{2}{3}V_{TT}$	$V_{CC}/2$	V
		GTL-	0.5	0.6	0.63	V
		GTL	0.76	0.8	0.84	V
		GTL+	0.87	1.0	1.10	V
$V_I$	input voltage	B port	0	$V_{TT}$	3.6	V
		except B port	0	3.3	5.5 <sup>[3]</sup>	V
$V_{IH}$	HIGH-level input voltage	B port	$V_{ref} + 0.050$	-	-	V
		except B port	2	-	-	V
$V_{IL}$	LOW-level input voltage	B port	-	-	$V_{ref} - 0.050$	V
		except B port	-	-	0.8	V
$I_{OH}$	HIGH-level output current	A port	-	-	-16	mA
$I_{OL}$	LOW-level output current	B port	-	-	40	mA
		A port	-	-	16	mA
$T_{amb}$	ambient temperature	operating in free-air	-40	-	+85	°C

[1] Unused inputs must be held HIGH or LOW to prevent them from floating.

[2]  $V_{TT}$  maximum of 3.6 V with resistor sized so  $I_{OL}$  maximum is not exceeded.

[3] A0, A1, A2, A3  $V_{I(max)}$  is 3.6 V if configured as outputs (DIR = L).

## 10 Static characteristics

**Table 8. Static characteristics**

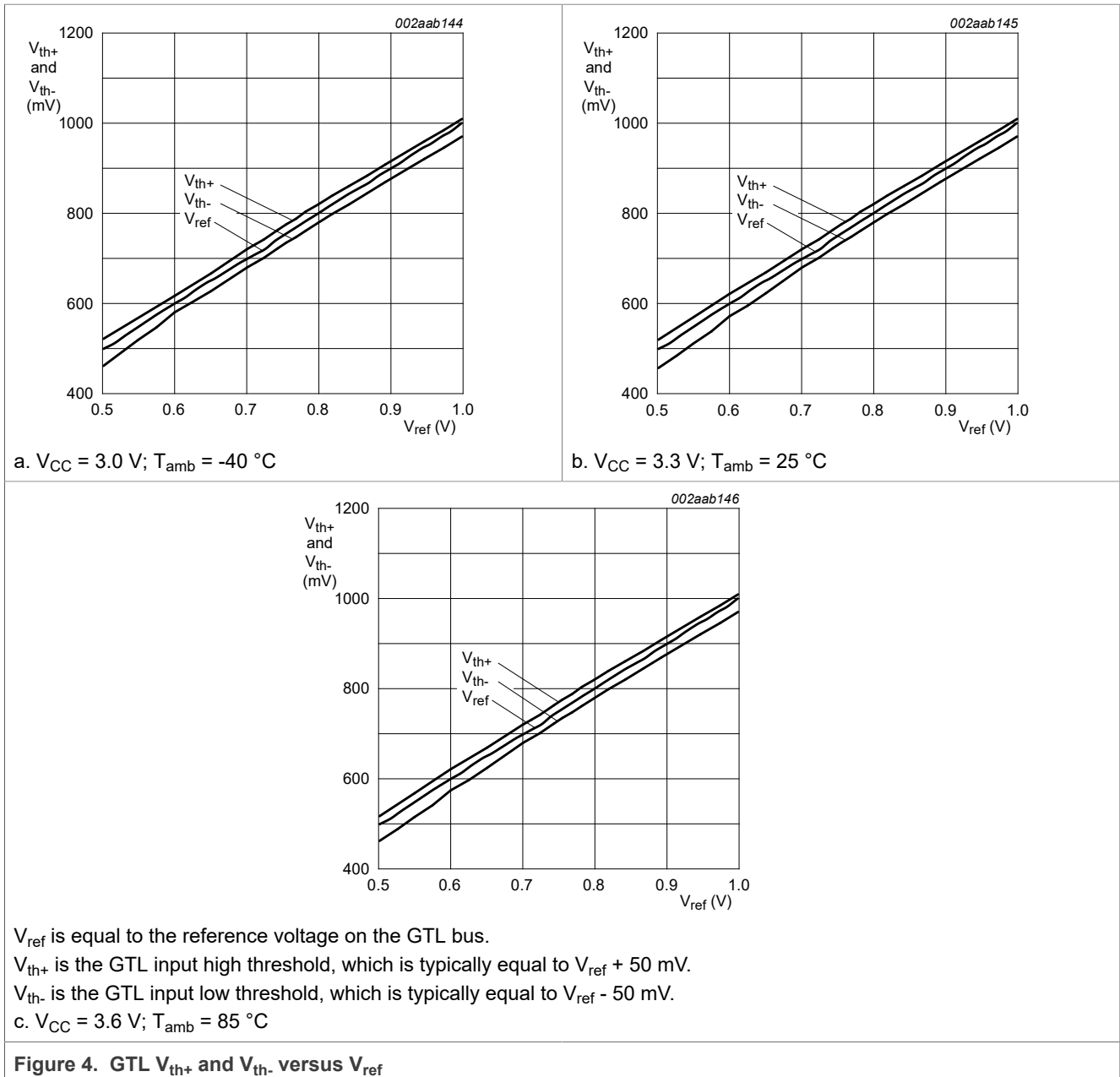
Recommended operating conditions; voltages are referenced to GND (ground = 0 V).  $T_{amb} = -40\text{ }^{\circ}\text{C}$  to  $+85\text{ }^{\circ}\text{C}$

Symbol	Parameter	Conditions	Min	Typ <sup>[1]</sup>	Max	Unit
V <sub>OH</sub>	HIGH-level output voltage	A port; V <sub>CC</sub> = 3.0 V to 3.6 V; I <sub>OH</sub> = -100 μA	[2] V <sub>CC</sub> - 0.2	-	-	V
		A port; V <sub>CC</sub> = 3.0 V; I <sub>OH</sub> = -16 mA	[2] 2.0	-	-	V
V <sub>OL</sub>	LOW-level output voltage	B port; V <sub>CC</sub> = 3.0 V; I <sub>OL</sub> = 40 mA	[2] -	0.23	0.4	V
		A port; V <sub>CC</sub> = 3.0 V; I <sub>OL</sub> = 8 mA	[2] -	0.28	0.4	V
		A port; V <sub>CC</sub> = 3.0 V; I <sub>OL</sub> = 12 mA	[2] -	0.40	0.55	V
		A port; V <sub>CC</sub> = 3.0 V; I <sub>OL</sub> = 16 mA	[2] -	0.55	0.8	V
I <sub>I</sub>	input current	control inputs; V <sub>CC</sub> = 3.6 V; V <sub>I</sub> = V <sub>CC</sub> or GND	-	-	±1	μA
		B port; V <sub>CC</sub> = 3.6 V; V <sub>I</sub> = V <sub>TT</sub> or GND	-	-	±1	μA
		A port; V <sub>CC</sub> = 0 V or 3.6 V; V <sub>I</sub> = 5.5 V	-	-	10	μA
		A port; V <sub>CC</sub> = 3.6 V; V <sub>I</sub> = V <sub>CC</sub>	-	-	±1	μA
		A port; V <sub>CC</sub> = 3.6 V; V <sub>I</sub> = 0 V	-	-	-5	μA
I <sub>OZ</sub>	OFF-state output current	A port; V <sub>CC</sub> = 0 V; V <sub>I</sub> or V <sub>O</sub> = 0 V to 3.6 V	-	-	±100	μA
I <sub>CC</sub>	quiescent supply current	A port; V <sub>CC</sub> = 3.6 V; V <sub>I</sub> = V <sub>CC</sub> or GND; I <sub>O</sub> = 0 mA	-	4	10	mA
		B port; V <sub>CC</sub> = 3.6 V; V <sub>I</sub> = V <sub>TT</sub> or GND; I <sub>O</sub> = 0 mA	-	4	10	mA
ΔI <sub>CC</sub> <sup>[3]</sup>	additional quiescent current (per input)	A port or control inputs; V <sub>CC</sub> = 3.6 V; V <sub>I</sub> = V <sub>CC</sub> - 0.6 V	-	-	500	μA
C <sub>i</sub>	input capacitance	control inputs; V <sub>I</sub> = 3.0 V or 0 V	-	2	2.5	pF
C <sub>io</sub>	input/output capacitance	A port; V <sub>O</sub> = 3.0 V or 0 V	-	4.6	6	pF
		B port; V <sub>O</sub> = V <sub>TT</sub> or 0 V	-	3.4	4.3	pF

[1] All typical values are measured at V<sub>CC</sub> = 3.3 V and T<sub>amb</sub> = 25 °C.

[2] The input and output voltage ratings may be exceeded if the input and output current ratings are observed.

[3] This is the increase in supply current for each input that is at the specified TTL voltage level rather than V<sub>CC</sub> or GND.



## 11 Dynamic characteristics

**Table 9. Dynamic characteristics**

$V_{CC} = 3.3\text{ V} \pm 0.3\text{ V}$

Symbol	Parameter	Conditions	Min	Typ <sup>[1]</sup>	Max	Unit
<b>GTL-</b> ; $V_{ref} = 0.6\text{ V}$ ; $V_{TT} = 0.9\text{ V}$						
$t_{PLH}$	LOW to HIGH propagation delay	An to Bn; see <a href="#">Figure 5</a>	-	2.8	5	ns
$t_{PHL}$	HIGH to LOW propagation delay	An to Bn; see <a href="#">Figure 5</a>	-	3.3	7	ns
$t_{PLH}$	LOW to HIGH propagation delay	Bn to An; see <a href="#">Figure 6</a>	-	5.3	8	ns

Table 9. Dynamic characteristics...continued

$V_{CC} = 3.3 V \pm 0.3 V$

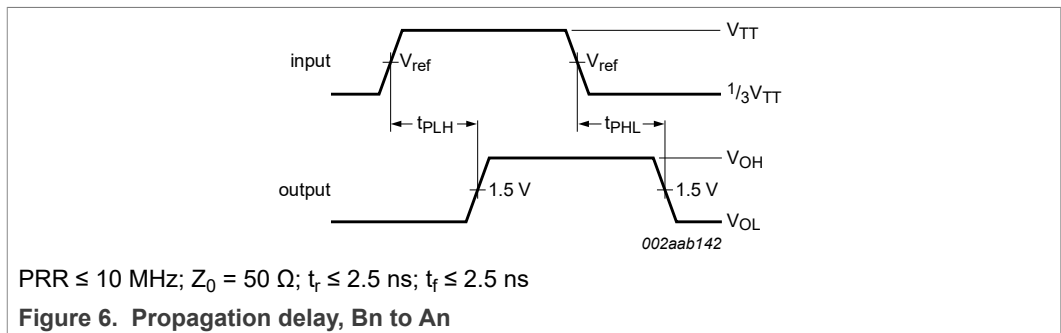
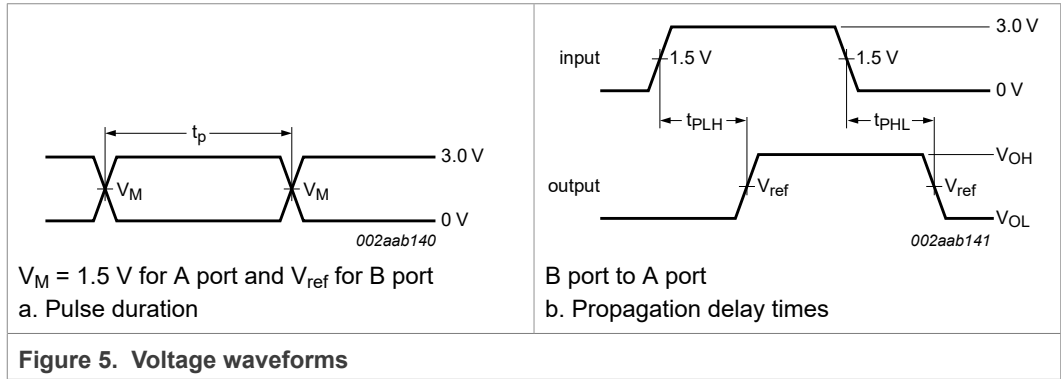
Symbol	Parameter	Conditions	Min	Typ <sup>[1]</sup>	Max	Unit
$t_{PHL}$	HIGH to LOW propagation delay	Bn to An; see <a href="#">Figure 6</a>	-	5.2	8	ns
<b>GTL; <math>V_{ref} = 0.8 V</math>; <math>V_{TT} = 1.2 V</math></b>						
$t_{PLH}$	LOW to HIGH propagation delay	An to Bn; see <a href="#">Figure 5</a>	-	2.8	5	ns
$t_{PHL}$	HIGH to LOW propagation delay	An to Bn; see <a href="#">Figure 5</a>	-	3.4	7	ns
$t_{PLH}$	LOW to HIGH propagation delay	Bn to An; see <a href="#">Figure 6</a>	-	5.2	8	ns
$t_{PHL}$	HIGH to LOW propagation delay	Bn to An; see <a href="#">Figure 6</a>	-	4.9	7	ns
<b>GTL+; <math>V_{ref} = 1.0 V</math>; <math>V_{TT} = 1.5 V</math></b>						
$t_{PLH}$	LOW to HIGH propagation delay	An to Bn; see <a href="#">Figure 5</a>	-	2.8	5	ns
$t_{PHL}$	HIGH to LOW propagation delay	An to Bn; see <a href="#">Figure 5</a>	-	3.4	7	ns
$t_{PLH}$	LOW to HIGH propagation delay	Bn to An; see <a href="#">Figure 6</a>	-	5.1	8	ns
$t_{PHL}$	HIGH to LOW propagation delay	Bn to An; see <a href="#">Figure 6</a>	-	4.7	7	ns

[1] All typical values are measured at  $V_{CC} = 3.3 V$  and  $T_{amb} = 25 ^\circ C$ .

1. All typical values are at  $V_{CC} = 3.3 V$  and  $T_{amb} = 25 ^\circ C$ .

11.1 Waveforms

$V_M = 1.5 V$  at  $V_{CC} \geq 3.0 V$ ;  $V_M = V_{CC}/2$  at  $V_{CC} \leq 2.7 V$  for A ports and control pins;  $V_M = V_{ref}$  for B ports.





**12 Test information**

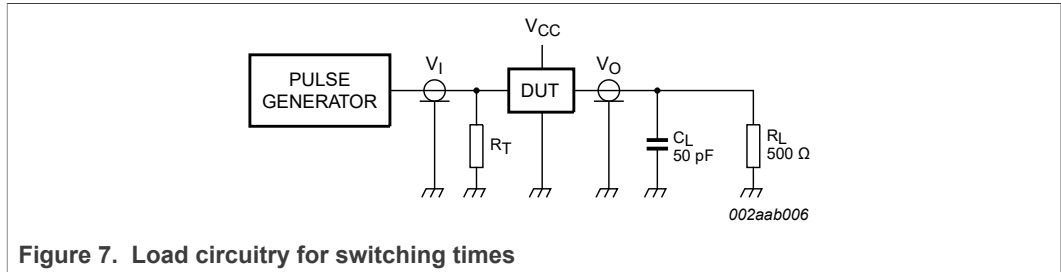


Figure 7. Load circuitry for switching times

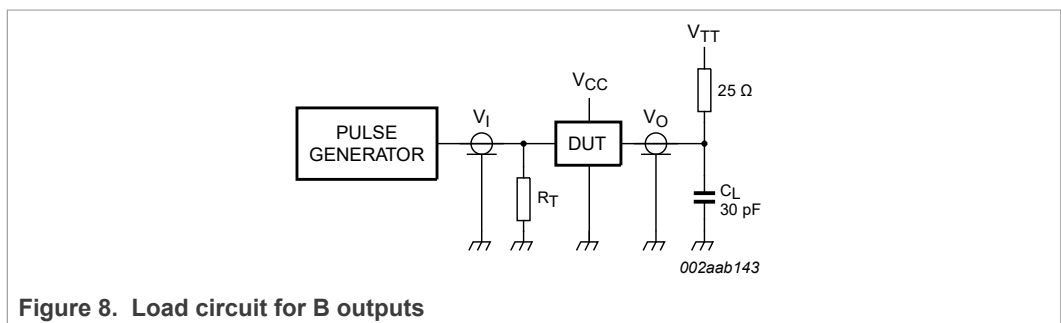


Figure 8. Load circuit for B outputs

**R<sub>L</sub>**

Load resistor

**C<sub>L</sub>**

Load capacitance; includes jig and probe capacitance

**R<sub>T</sub>**

Termination resistance; should be equal to output impedance of pulse generators.

### 13 Package outline

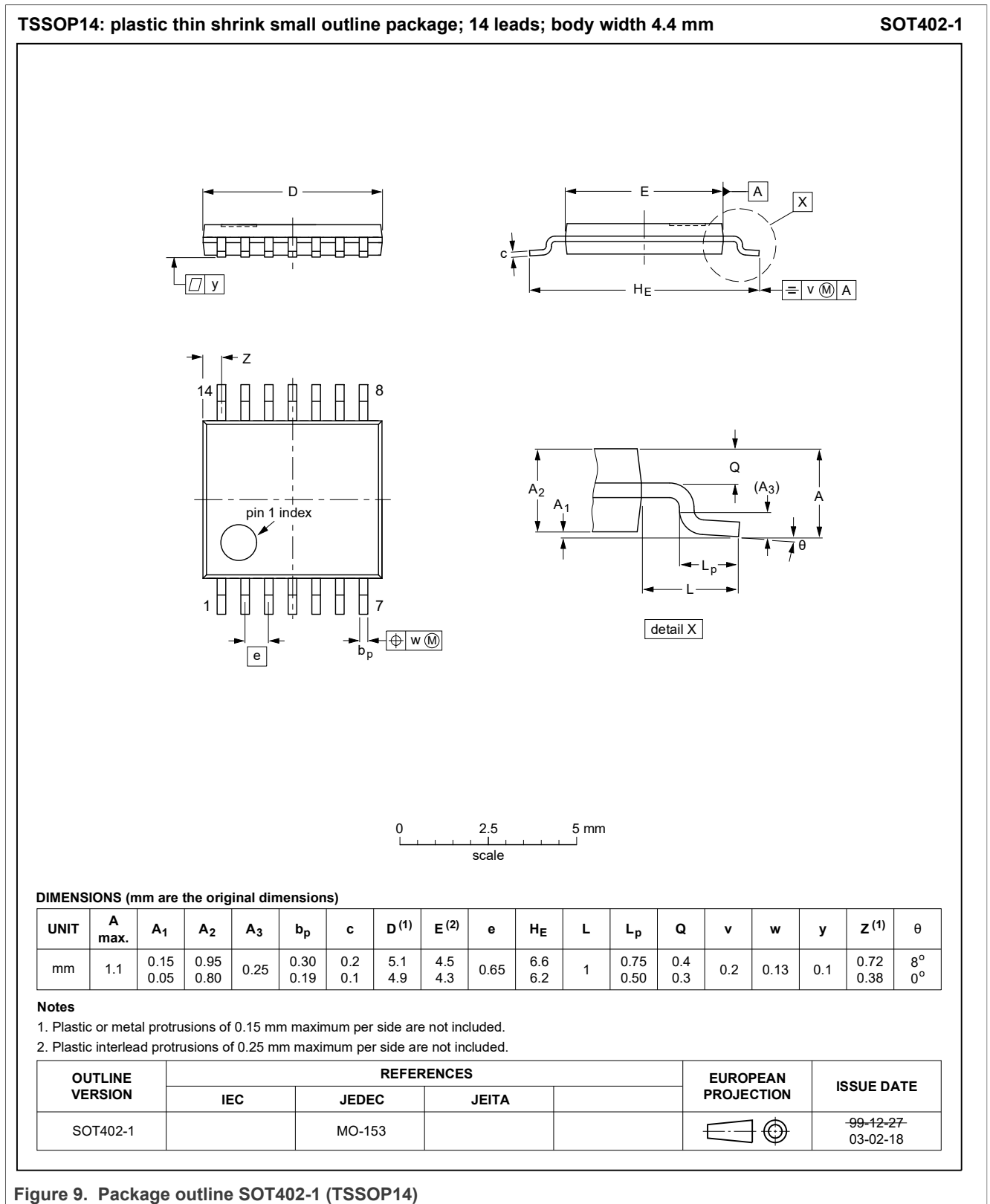


Figure 9. Package outline SOT402-1 (TSSOP14)

## 14 Soldering of SMD packages

This text provides a very brief insight into a complex technology. A more in-depth account of soldering ICs can be found in Application Note AN10365 “Surface mount reflow soldering description”.

### 14.1 Introduction to soldering

Soldering is one of the most common methods through which packages are attached to Printed Circuit Boards (PCBs), to form electrical circuits. The soldered joint provides both the mechanical and the electrical connection. There is no single soldering method that is ideal for all IC packages. Wave soldering is often preferred when through-hole and Surface Mount Devices (SMDs) are mixed on one printed wiring board; however, it is not suitable for fine pitch SMDs. Reflow soldering is ideal for the small pitches and high densities that come with increased miniaturization.

### 14.2 Wave and reflow soldering

Wave soldering is a joining technology in which the joints are made by solder coming from a standing wave of liquid solder. The wave soldering process is suitable for the following:

- Through-hole components
- Leaded or leadless SMDs, which are glued to the surface of the printed circuit board

Not all SMDs can be wave soldered. Packages with solder balls, and some leadless packages which have solder lands underneath the body, cannot be wave soldered. Also, leaded SMDs with leads having a pitch smaller than ~0.6 mm cannot be wave soldered, due to an increased probability of bridging.

The reflow soldering process involves applying solder paste to a board, followed by component placement and exposure to a temperature profile. Leaded packages, packages with solder balls, and leadless packages are all reflow solderable.

Key characteristics in both wave and reflow soldering are:

- Board specifications, including the board finish, solder masks and vias
- Package footprints, including solder thieves and orientation
- The moisture sensitivity level of the packages
- Package placement
- Inspection and repair
- Lead-free soldering versus SnPb soldering

### 14.3 Wave soldering

Key characteristics in wave soldering are:

- Process issues, such as application of adhesive and flux, clinching of leads, board transport, the solder wave parameters, and the time during which components are exposed to the wave
- Solder bath specifications, including temperature and impurities

### 14.4 Reflow soldering

Key characteristics in reflow soldering are:

- Lead-free versus SnPb soldering; note that a lead-free reflow process usually leads to higher minimum peak temperatures (see [Figure 10](#)) than a SnPb process, thus reducing the process window
- Solder paste printing issues including smearing, release, and adjusting the process window for a mix of large and small components on one board
- Reflow temperature profile; this profile includes preheat, reflow (in which the board is heated to the peak temperature) and cooling down. It is imperative that the peak temperature is high enough for the solder to make reliable solder joints (a solder paste characteristic). In addition, the peak temperature must be low enough that the packages and/or boards are not damaged. The peak temperature of the package depends on package thickness and volume and is classified in accordance with [Table 10](#) and [Table 11](#)

**Table 10. SnPb eutectic process (from J-STD-020D)**

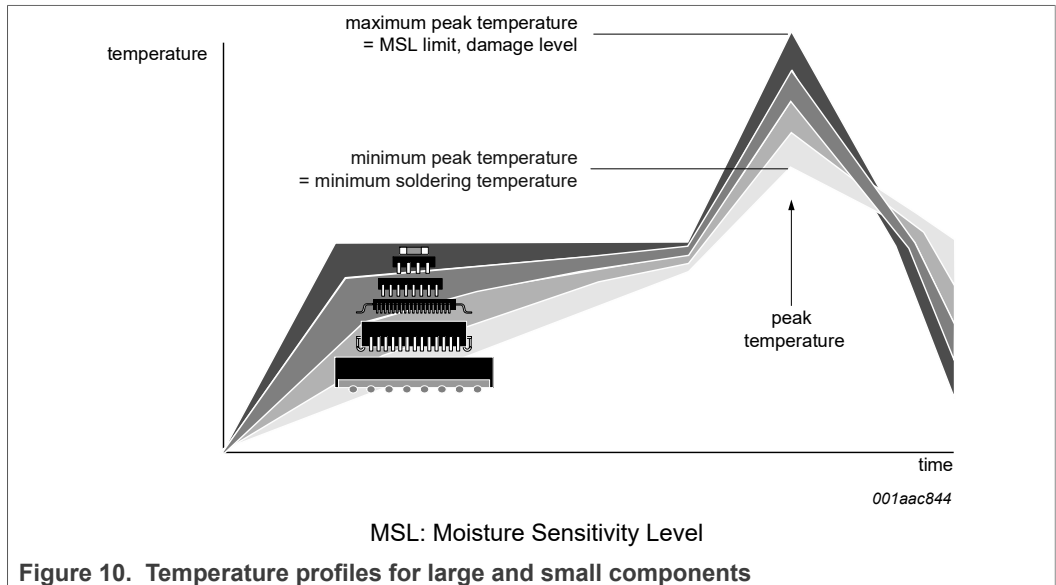
Package thickness (mm)	Package reflow temperature (°C)	
	Volume (mm <sup>3</sup> )	
	< 350	≥ 350
< 2.5	235	220
≥ 2.5	220	220

**Table 11. Lead-free process (from J-STD-020D)**

Package thickness (mm)	Package reflow temperature (°C)		
	Volume (mm <sup>3</sup> )		
	< 350	350 to 2000	> 2000
< 1.6	260	260	260
1.6 to 2.5	260	250	245
> 2.5	250	245	245

Moisture sensitivity precautions, as indicated on the packing, must be respected at all times.

Studies have shown that small packages reach higher temperatures during reflow soldering, see [Figure 10](#).



For further information on temperature profiles, refer to Application Note AN10365 “Surface mount reflow soldering description”.

## 15 Abbreviations

Table 12. Abbreviations

Acronym	Description
CDM	Charged-Device Model
CMOS	Complementary Metal-Oxide Semiconductor
CPU	Central Processing Unit
ESD	ElectroStatic Discharge
GTL	Gunning Transceiver Logic
HBM	Human Body Model
LVTTTL	Low Voltage Transistor-Transistor Logic
PRR	Pulse Rate Repetition
TTL	Transistor-Transistor Logic

## 16 Revision history

Table 13. Revision history

Document ID	Release date	Data sheet status	Change notice	Supersedes
GTL2014 v.3.1	20210816	Product data sheet	PCN:202102035F01	GTL2014 v.3
GTL2014 v.3	20120614	Product data sheet	-	GTL2014 v.2
Modifications:	<ul style="list-style-type: none"> <li>• <a href="#">Section 1</a>, first paragraph, first sentence: added phrase "where GTL-/GTL/GTL+ refers to the reference voltage of the GTL bus and the input/output voltage thresholds associated with it"</li> <li>• Added (new) <a href="#">Figure 4</a></li> </ul>			
GTL2014 v.2	20120306	Product data sheet	-	GTL2014 v.1

Table 13. Revision history...continued

Document ID	Release date	Data sheet status	Change notice	Supersedes
GTL2014 v.1 (9397 750 13534)	20050519	Product data sheet	-	-

## 17 Legal information

### 17.1 Data sheet status

Document status <sup>[1][2]</sup>	Product status <sup>[3]</sup>	Definition
Objective [short] data sheet	Development	This document contains data from the objective specification for product development.
Preliminary [short] data sheet	Qualification	This document contains data from the preliminary specification.
Product [short] data sheet	Production	This document contains the product specification.

[1] Please consult the most recently issued document before initiating or completing a design.

[2] The term 'short data sheet' is explained in section "Definitions".

[3] The product status of device(s) described in this document may have changed since this document was published and may differ in case of multiple devices. The latest product status information is available on the Internet at URL <http://www.nxp.com>.

### 17.2 Definitions

**Draft** — A draft status on a document indicates that the content is still under internal review and subject to formal approval, which may result in modifications or additions. NXP Semiconductors does not give any representations or warranties as to the accuracy or completeness of information included in a draft version of a document and shall have no liability for the consequences of use of such information.

**Short data sheet** — A short data sheet is an extract from a full data sheet with the same product type number(s) and title. A short data sheet is intended for quick reference only and should not be relied upon to contain detailed and full information. For detailed and full information see the relevant full data sheet, which is available on request via the local NXP Semiconductors sales office. In case of any inconsistency or conflict with the short data sheet, the full data sheet shall prevail.

**Product specification** — The information and data provided in a Product data sheet shall define the specification of the product as agreed between NXP Semiconductors and its customer, unless NXP Semiconductors and customer have explicitly agreed otherwise in writing. In no event however, shall an agreement be valid in which the NXP Semiconductors product is deemed to offer functions and qualities beyond those described in the Product data sheet.

### 17.3 Disclaimers

**Limited warranty and liability** — Information in this document is believed to be accurate and reliable. However, NXP Semiconductors does not give any representations or warranties, expressed or implied, as to the accuracy or completeness of such information and shall have no liability for the consequences of use of such information. NXP Semiconductors takes no responsibility for the content in this document if provided by an information source outside of NXP Semiconductors. In no event shall NXP Semiconductors be liable for any indirect, incidental, punitive, special or consequential damages (including - without limitation - lost profits, lost savings, business interruption, costs related to the removal or replacement of any products or rework charges) whether or not such damages are based on tort (including negligence), warranty, breach of contract or any other legal theory. Notwithstanding any damages that customer might incur for any reason whatsoever, NXP Semiconductors' aggregate and cumulative liability towards customer for the products described herein shall be limited in accordance with the Terms and conditions of commercial sale of NXP Semiconductors.

**Right to make changes** — NXP Semiconductors reserves the right to make changes to information published in this document, including without limitation specifications and product descriptions, at any time and without

notice. This document supersedes and replaces all information supplied prior to the publication hereof.

**Suitability for use** — NXP Semiconductors products are not designed, authorized or warranted to be suitable for use in life support, life-critical or safety-critical systems or equipment, nor in applications where failure or malfunction of an NXP Semiconductors product can reasonably be expected to result in personal injury, death or severe property or environmental damage. NXP Semiconductors and its suppliers accept no liability for inclusion and/or use of NXP Semiconductors products in such equipment or applications and therefore such inclusion and/or use is at the customer's own risk.

**Applications** — Applications that are described herein for any of these products are for illustrative purposes only. NXP Semiconductors makes no representation or warranty that such applications will be suitable for the specified use without further testing or modification. Customers are responsible for the design and operation of their applications and products using NXP Semiconductors products, and NXP Semiconductors accepts no liability for any assistance with applications or customer product design. It is customer's sole responsibility to determine whether the NXP Semiconductors product is suitable and fit for the customer's applications and products planned, as well as for the planned application and use of customer's third party customer(s). Customers should provide appropriate design and operating safeguards to minimize the risks associated with their applications and products. NXP Semiconductors does not accept any liability related to any default, damage, costs or problem which is based on any weakness or default in the customer's applications or products, or the application or use by customer's third party customer(s). Customer is responsible for doing all necessary testing for the customer's applications and products using NXP Semiconductors products in order to avoid a default of the applications and the products or of the application or use by customer's third party customer(s). NXP does not accept any liability in this respect.

**Limiting values** — Stress above one or more limiting values (as defined in the Absolute Maximum Ratings System of IEC 60134) will cause permanent damage to the device. Limiting values are stress ratings only and (proper) operation of the device at these or any other conditions above those given in the Recommended operating conditions section (if present) or the Characteristics sections of this document is not warranted. Constant or repeated exposure to limiting values will permanently and irreversibly affect the quality and reliability of the device.

**Terms and conditions of commercial sale** — NXP Semiconductors products are sold subject to the general terms and conditions of commercial sale, as published at <http://www.nxp.com/profile/terms>, unless otherwise agreed in a valid written individual agreement. In case an individual agreement is concluded only the terms and conditions of the respective agreement shall apply. NXP Semiconductors hereby expressly objects to applying the customer's general terms and conditions with regard to the purchase of NXP Semiconductors products by customer.

**No offer to sell or license** — Nothing in this document may be interpreted or construed as an offer to sell products that is open for acceptance or the grant, conveyance or implication of any license under any copyrights, patents or other industrial or intellectual property rights.

**Quick reference data** — The Quick reference data is an extract of the product data given in the Limiting values and Characteristics sections of this document, and as such is not complete, exhaustive or legally binding.

**Export control** — This document as well as the item(s) described herein may be subject to export control regulations. Export might require a prior authorization from competent authorities.

**Non-automotive qualified products** — Unless this data sheet expressly states that this specific NXP Semiconductors product is automotive qualified, the product is not suitable for automotive use. It is neither qualified nor tested in accordance with automotive testing or application requirements. NXP Semiconductors accepts no liability for inclusion and/or use of non-automotive qualified products in automotive equipment or applications. In the event that customer uses the product for design-in and use in automotive

applications to automotive specifications and standards, customer (a) shall use the product without NXP Semiconductors' warranty of the product for such automotive applications, use and specifications, and (b) whenever customer uses the product for automotive applications beyond NXP Semiconductors' specifications such use shall be solely at customer's own risk, and (c) customer fully indemnifies NXP Semiconductors for any liability, damages or failed product claims resulting from customer design and use of the product for automotive applications beyond NXP Semiconductors' standard warranty and NXP Semiconductors' product specifications.

**Translations** — A non-English (translated) version of a document is for reference only. The English version shall prevail in case of any discrepancy between the translated and English versions.

## 17.4 Trademarks

Notice: All referenced brands, product names, service names and trademarks are the property of their respective owners.



## Tables

Tab. 1.	Quick reference data .....	2	Tab. 8.	Static characteristics .....	6
Tab. 2.	Ordering information .....	2	Tab. 9.	Dynamic characteristics .....	7
Tab. 3.	Ordering options .....	2	Tab. 10.	SnPb eutectic process (from J-STD-020D) .....	12
Tab. 4.	Pin description .....	3	Tab. 11.	Lead-free process (from J-STD-020D) .....	12
Tab. 5.	Function table .....	4	Tab. 12.	Abbreviations .....	13
Tab. 6.	Limiting values .....	4	Tab. 13.	Revision history .....	13
Tab. 7.	Operating conditions .....	5			

## Figures

Fig. 1.	GTL2005/GTL2014 positioning .....	1	Fig. 7.	Load circuitry for switching times .....	9
Fig. 2.	Logic diagram for GTL2014 .....	3	Fig. 8.	Load circuit for B outputs .....	9
Fig. 3.	Pin configuration for TSSOP14 .....	3	Fig. 9.	Package outline SOT402-1 (TSSOP14) .....	10
Fig. 4.	GTL $V_{th+}$ and $V_{th-}$ versus $V_{ref}$ .....	7	Fig. 10.	Temperature profiles for large and small components .....	13
Fig. 5.	Voltage waveforms .....	8			
Fig. 6.	Propagation delay, $B_n$ to $A_n$ .....	8			

---

## Contents

---

<b>1</b>	<b>General description .....</b>	<b>1</b>
<b>2</b>	<b>Features and benefits .....</b>	<b>1</b>
<b>3</b>	<b>Quick reference data .....</b>	<b>2</b>
<b>4</b>	<b>Ordering information .....</b>	<b>2</b>
4.1	Ordering options .....	2
<b>5</b>	<b>Functional diagram .....</b>	<b>3</b>
<b>6</b>	<b>Pinning information .....</b>	<b>3</b>
6.1	Pinning .....	3
6.2	Pin description .....	3
<b>7</b>	<b>Functional description .....</b>	<b>4</b>
7.1	Function table .....	4
<b>8</b>	<b>Limiting values .....</b>	<b>4</b>
<b>9</b>	<b>Recommended operating conditions .....</b>	<b>5</b>
<b>10</b>	<b>Static characteristics .....</b>	<b>6</b>
<b>11</b>	<b>Dynamic characteristics .....</b>	<b>7</b>
11.1	Waveforms .....	8
<b>12</b>	<b>Test information .....</b>	<b>9</b>
<b>13</b>	<b>Package outline .....</b>	<b>10</b>
<b>14</b>	<b>Soldering of SMD packages .....</b>	<b>11</b>
14.1	Introduction to soldering .....	11
14.2	Wave and reflow soldering .....	11
14.3	Wave soldering .....	11
14.4	Reflow soldering .....	11
<b>15</b>	<b>Abbreviations .....</b>	<b>13</b>
<b>16</b>	<b>Revision history .....</b>	<b>13</b>
<b>17</b>	<b>Legal information .....</b>	<b>15</b>

---

Please be aware that important notices concerning this document and the product(s) described herein, have been included in section 'Legal information'.

---

© NXP B.V. 2021.

All rights reserved.

For more information, please visit: <http://www.nxp.com>

For sales office addresses, please send an email to: [salesaddresses@nxp.com](mailto:salesaddresses@nxp.com)

Date of release: 16 August 2021

Document identifier: GTL2014