

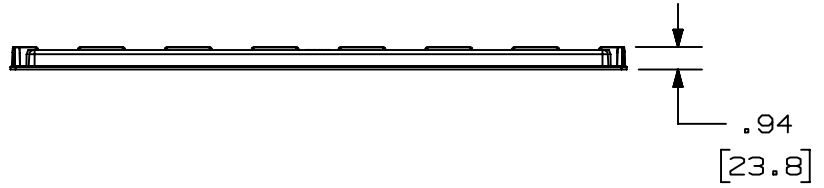
2

1

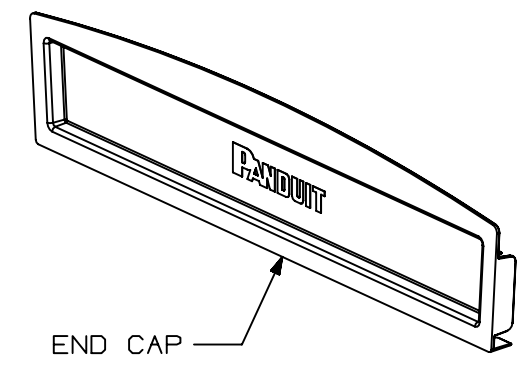
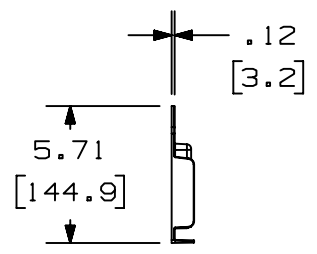
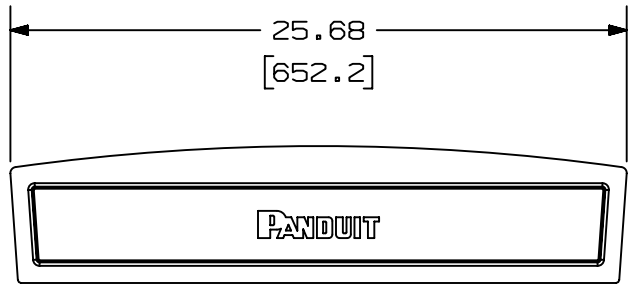
THIS COPY IS PROVIDED ON A RESTRICTED BASIS AND IS NOT TO BE USED IN ANY WAY DETRIMENTAL TO THE INTERESTS OF PANDUIT CORP.

NOTES:

- 1. SEE CURRENT CATALOG FOR ADDITIONAL PART SUFFIXES TO INDICATE COLOR AND/OR PACKAGE QUANTITY.
- 2. DIMENSIONS IN PARENTHESES ARE IN METRIC.
- 3. PARTS SUPPLIED:  
(1) - END CAP



PANDUIT PART NUMBER	WEIGHT	MATERIAL
FREC24X4**	1.00 LB/EACH (454g/EACH)	ABS
FREC24X4L**	1.00 LB/EACH (454g/EACH)	PC/ABS



B

B

A

A

GLOBAL SIZE

REV	DATE	BY	CHK	APR	DESCRIPTION	ECN
00B	9/1/20	MEX-JAGC	DWR	DWR	ADDED PART NUMBER UPDATED DRAWING BORDER & TITLE BLOCK	V09002DZ/11

<b>TITLE</b> FIBERRUNNER 24x4 END CAP (FREC24X4**, FREC24X4L**)					
<b>CUSTOMER DRAWING</b>					
<b>ITEM REVISION NAME</b> D39701BE/03					
<b>DATASET FILE NAME</b> D39701BE_DC/03A					
<b>MATERIAL:</b> SEE PART NUMBER TABLE ABOVE			<b>DRAWING NUMBER:</b> 39701-16		
		<b>THIRD ANGLE PROJECTION</b>			
<b>DRAWN BY</b> MSO	<b>DATE</b> 10/21/08	<b>CHK</b> SL	<b>SCALE</b> NONE	<b>SHT 1 OF 1</b>	
					<b>SIZE</b> A

2

1