



SY89856U

2GHz, Low-Power, 1:6 LVPECL Fanout Buffer with 2:1 Input MUX and Internal Termination

General Description

The SY89856U is a 2.5V/3.3V precision, high-speed, 1:6 fanout capable of handling clocks up to 2.0GHz. A differential 2:1 MUX input is included for redundant clock switchover applications.

The differential input includes Micrel's unique, 3-pin input termination architecture that allows the device to interface to any differential signal (AC- or DC-coupled) as small as 100mV (200mV_{pp}) without any level shifting or termination resistor networks in the signal path. The outputs are LVPECL (100k, temperature compensated), with extremely fast rise/fall times guaranteed to be less than 200ps.

The SY89856U operates from a 2.5V \pm 5% supply or a 3.3V \pm 10% supply and is guaranteed over the full industrial temperature range of -40°C to $+85^{\circ}\text{C}$. The SY89856U is part of Micrel's high-speed, Precision Edge[®] product line.

Datasheets and support documentation are available on Micrel's web site at: www.micrel.com.

Features

- 6 ultra-low skew copies of the selected input
- 2:1 MUX input included for clock switchover applications
- Low power: 225mW typical (2.5V)
- 2.5V to 3.3V supply voltage
- Unique input isolation design minimizes crosstalk
- Guaranteed AC performance over temperature and voltage:
 - Clock frequency range: DC to $>2.0\text{GHz}$
 - $<400\text{ps}$ IN-to-OUT t_{pd}
 - $<200\text{ps}$ t_r/t_f times
 - $<30\text{ps}$ skew (output-to-output)
- Ultra-low jitter design:
 - 40fs RMS phase jitter
 - 0.7ps_{RMS} crosstalk-induced jitter
- Unique input termination and VT pin accepts DC- and AC-coupled inputs (CML, PECL, LVDS)
- 100k LVPECL compatible output swing
- -40°C to $+85^{\circ}\text{C}$ industrial temperature range
- Available in 32-pin (5mm x 5mm) QFN package

Applications

- Redundant clock distribution
- All SONET/SDH clock/data distribution
- All Fibre Channel distribution
- All Gigabit Ethernet clock distribution

Markets

- LAN/WAN
- Enterprise servers
- ATE
- Test and measurement

United States Patent No. RE44,134

Precision Edge is a registered trademark of Micrel, Inc.

Micrel Inc. • 2180 Fortune Drive • San Jose, CA 95131 • USA • tel +1 (408) 944-0800 • fax + 1 (408) 474-1000 • <http://www.micrel.com>

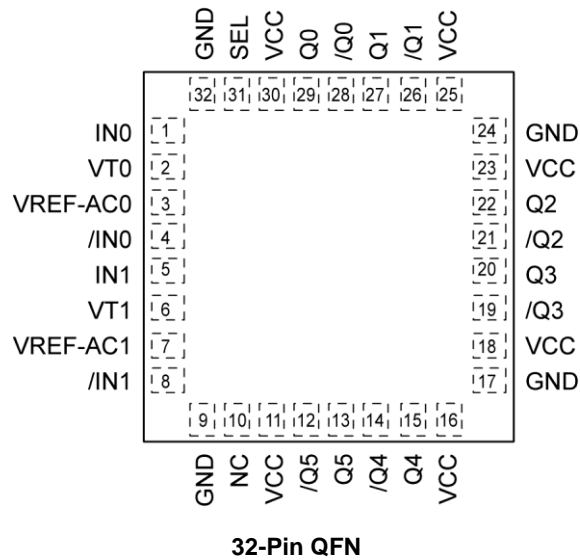
Ordering Information⁽¹⁾

Part Number	Package Type	Operating Range	Package Marking	Lead Finish
SY89856UMG	QFN-32	Industrial	SY89856U with Pb-Free bar-line indicator	NiPdAu Pb-Free
SY89856UMGTR ⁽²⁾	QFN-32	Industrial	SY89856U with Pb-Free bar-line indicator	NiPdAu Pb-Free

Notes:

1. Contact factory for die availability. Dice are guaranteed at T_A = 25°C, DC Electricals only.
2. Tape and Reel.

Pin Configuration



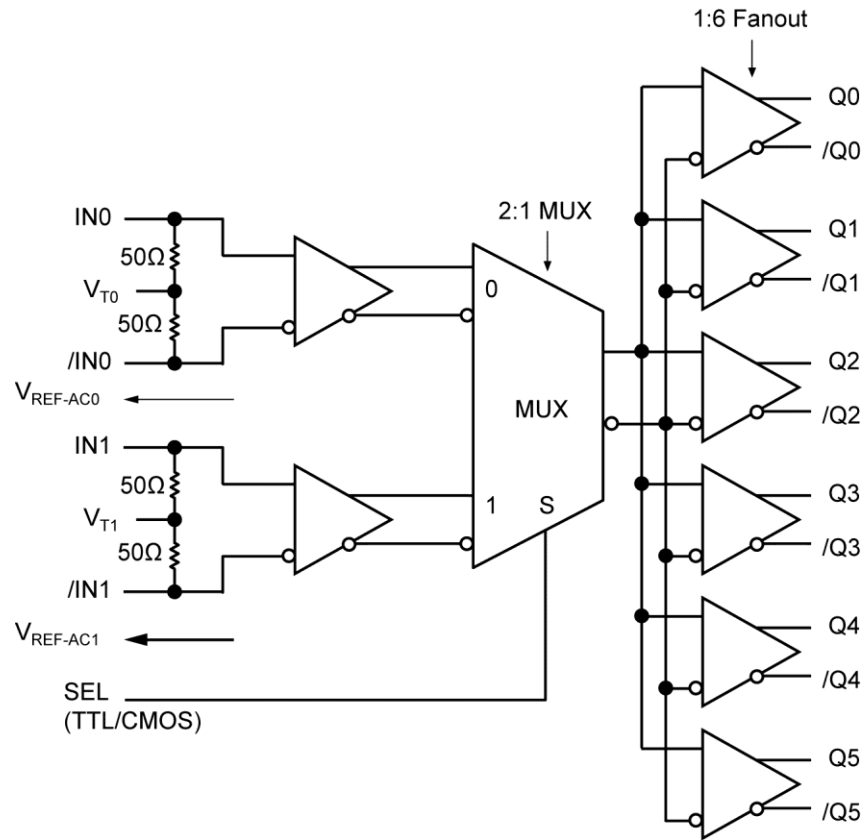
Pin Description

Pin Number	Pin Name	Pin Function
1, 4 5, 8	IN0, /IN0 IN1, /IN1	Differential Input: These input pairs are the differential signal inputs to the device. These inputs accept AC- or DC-coupled signals as small as 100mV (200mV _{p-p}). Each pin of a pair internally terminates to a VT pin through 50Ω. Note that these inputs will default to an indeterminate state if left open. Please refer to the “ Input Interface Applications ” section for more details.
2, 6	VT0, VT1	Input Termination Center-Tap: Each side of the differential input pair terminates to a VT pin. The VT0 and VT1 pins provide a center-tap to a termination network for maximum interface flexibility. See the “ Input Interface Applications ” section for more details.
31	SEL	This single-ended TTL/CMOS-compatible input selects the inputs to the multiplexer. Note that this input is internally connected to a 25kΩ pull-up resistor and will default to logic HIGH state if left open. The MUX select switchover function is asynchronous.
10	NC	No connect.
11, 16, 18, 23, 25, 30	VCC	Positive Power Supply: Bypass with 0.1μF//0.01μF low ESR capacitors as close to VCC pins as possible.
29, 28 27, 26 22, 21 20, 19 15, 14 13, 12	Q0, /Q0, Q1, /Q1, Q2, /Q2, Q3, /Q3, Q4, /Q4, Q5, /Q5	Differential Outputs: These 100k (temperature compensated) LVPECL output pairs are low skew copies of the selected input. Unused output pins may be left floating. Please refer to the “ LVPECL Output Interface Applications ” section for details.
9, 17, 24, 32	GND, Exposed Pad	Ground: Ground pins and exposed pad must be connected to the same ground plane.
3, 7	VREF-AC0 VREF-AC1	Reference Voltage: This output biases to V _{CC} – 1.2V. It is used for AC-coupling inputs (IN, /IN). Connect VREF_AC directly to the VT pin. Bypass with 0.01μF low ESR capacitor to V _{CC} . See the “ Input Interface Applications ” section. Maximum sink/source current is ±1.5mA. Due to the limited drive capability use for input at the same package only.

LVPECL Output Interface Applications

SEL	Output
0	IN0 Input Selected
1	IN1 Input Selected

Functional Block Diagram



Absolute Maximum Ratings⁽³⁾

Supply Voltage (V_{CC})	–0.5V to +4.0V
Input Voltage (V_{IN})	–0.5V to V_{CC}
LVPECL Output Current (I_{OUT})	
Continuous	50mA
Surge	100mA
Termination Current	
Source or sink current on V_T	± 100 mA
V_{REF-AC} Source or sink current	± 2.0 mA
Lead Temperature (soldering, 20s)	+260°C
Storage Temperature (T_s)	–65°C to 150°C

Operating Ratings⁽⁴⁾

Supply Voltage (V_{CC})	+2.375V to +2.625V
	+3.0V to +3.6V
Ambient Temperature (T_A)	–40°C to +85°C
Package Thermal Resistance ⁽⁵⁾	
QFN (θ_{JA})	
Still-Air	35°C/W
QFN (ψ_{JB})	
Junction-to-Board	16°C/W

DC Electrical Characteristics⁽⁶⁾

$T_A = -40^\circ\text{C}$ to $+85^\circ\text{C}$, unless otherwise noted.

Symbol	Parameter	Condition	Min.	Typ.	Max.	Units
V_{CC}	Power Supply Voltage		2.375	2.5	2.625	V
			3.0	3.3	3.6	V
I_{CC}	Power Supply Current	No load, max V_{CC} .		90	140	mA
R_{IN}	Input Resistance (IN-to- V_T)		45	50	55	Ω
R_{DIFF_IN}	Differential Input Resistance (IN-to-/IN)		90	100	110	Ω
V_{IH}	Input High Voltage (IN, /IN)	Note 7	$V_{IH} - 1.6$		V_{CC}	V
V_{IL}	Input Low Voltage (IN, /IN)		0		$V_{IH} - 0.1$	V
V_{IN}	Input Voltage Swing (IN, /IN)	See Figure 1.	0.1		1.7	V
V_{DIFF_IN}	Differential Input Voltage Swing IN-/IN	See Figure 2.	0.2			V
V_{T_IN}	IN-to- V_T (IN, /IN)				1.28	V
V_{REF-AC}	Output Reference Voltage		$V_{CC} - 1.3$	$V_{CC} - 1.2$	$V_{CC} - 1.1$	V

Notes:

- Permanent device damage may occur if absolute maximum ratings are exceeded. This is a stress rating only and functional operation is not implied at conditions other than those detailed in the operational sections of this data sheet. Exposure to absolute maximum ratings for extended periods may affect device reliability.
- The datasheet limits are not guaranteed if the device is operated beyond the operating ratings.
- Package thermal resistance assumes exposed pad is soldered (or equivalent) to the device's most negative potential on the PCB. θ_{JA} and ψ_{JB} values are determined for a 4-layer board in still air, unless otherwise stated.
- The circuit is designed to meet the DC specifications shown in the above table after thermal equilibrium has been established.
- V_{IH} (min) not lower than 1.2V.

LVPECL DC Electrical Characteristics⁽⁶⁾

$V_{CC} = 2.5V \pm 5\%$ or $3.3V \pm 10\%$; $T_A = -40^\circ C$ to $+85^\circ C$; $R_L = 50\Omega$ to $V_{CC} - 2V$, unless otherwise noted.

Symbol	Parameter	Condition	Min.	Typ.	Max.	Units
V_{OH}	Output HIGH Voltage		$V_{CC} - 1.145$		$V_{CC} - 0.895$	V
V_{OL}	Output LOW Voltage		$V_{CC} - 1.945$		$V_{CC} - 1.695$	V
V_{OUT}	Output Voltage Swing	See Figure 1.	550	800		mV
$V_{DIFF-OUT}$	Differential Output Voltage Swing	See Figure 2.	1.1	1.6		V

LVTTTL/CMOS DC Electrical Characteristics⁽⁶⁾

$V_{CC} = 2.5V \pm 5\%$ or $3.3V \pm 10\%$; $T_A = -40^\circ C$ to $+85^\circ C$, unless otherwise noted.

Symbol	Parameter	Condition	Min.	Typ.	Max.	Units
V_{IH}	Input HIGH Voltage		2.0			V
V_{IL}	Input LOW Voltage				0.8	V
I_{IH}	Input HIGH Current		-125		30	μA
I_{IL}	Input LOW Current		-300			μA

AC Electrical Characteristics⁽⁸⁾

$V_{CC} = 2.5V \pm 5\%$ or $3.3V \pm 10\%$; $T_A = -40^{\circ}C$ to $+85^{\circ}C$, unless otherwise noted.

Symbol	Parameter	Condition	Min.	Typ.	Max.	Units
f_{MAX}	Maximum Operating Frequency	$V_{OUT} \geq 400mV$	2.0	3.0		GHz
t_{pd}	Differential Propagation Delay					
	(IN0 or IN1-to-Q)		200	280	400	ps
	(SEL-to-Q)		140		460	ps
Δt_{pd} Tempco	Differential Propagation Delay Temperature Coefficient			65		fs/ $^{\circ}C$
t_{SKEW}	Output-to-Output	Note 9		10	30	ps
	Part-to-Part	Note 10			150	ps
t_{JITTER}	RMS Phase Jitter	Output = 500MHz Integration Range – 12kHz – 20MHz		40		fs
	Adjacent Channel Crosstalk-Induced Jitter	Note 11			0.7	ps _(rms)
t_r, t_f	Output Rise/Fall Time	Full swing, 20% to 80%.	75	130	200	ps

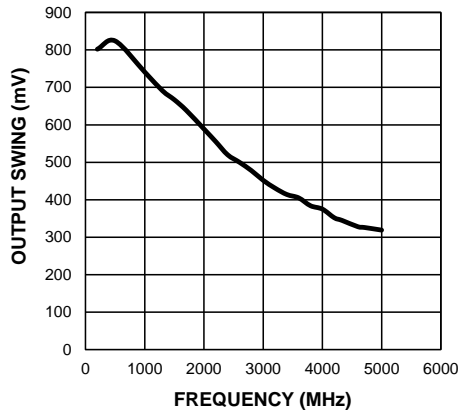
Notes:

8. High-frequency AC-parameters are guaranteed by design and characterization.
9. Output-to-output skew is measured between outputs under identical input conditions.
10. Part-to-part skew is defined for two parts with identical power supply voltages at the same temperature and with no skew of the edges at the respective inputs.
11. Crosstalk is measured at the output while applying two similar differential clock frequencies that are asynchronous with respect to each other at the inputs.

Typical Characteristics

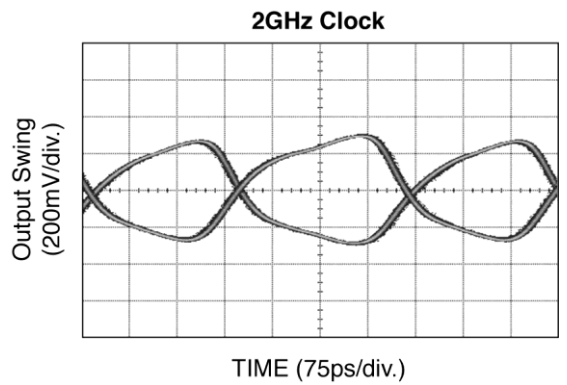
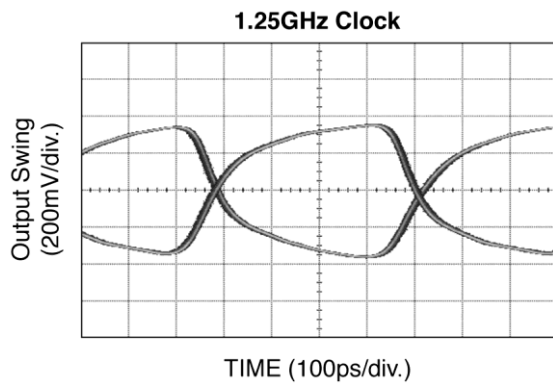
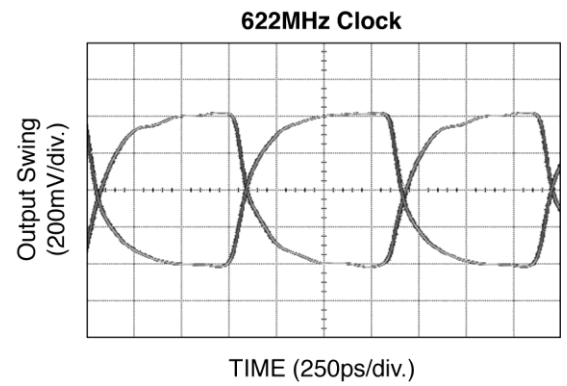
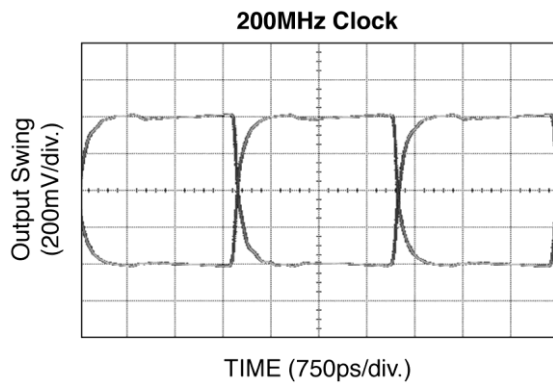
$V_{CC} = 3.3V$, $GND = 0V$, $V_{IN} \geq 400mV$, $t_r/t_f \leq 300ps$, $T_A = 25^\circ C$, unless otherwise noted.

Output Swing vs. Frequency



Functional Characteristics

$V_{CC} = 3.3V$, $GND = 0V$, $V_{IN} \geq 400mV$, $t_r/t_f \leq 300ps$, $T_A = 25^\circ C$, unless otherwise stated.



Singed-Ended and Differential Swings

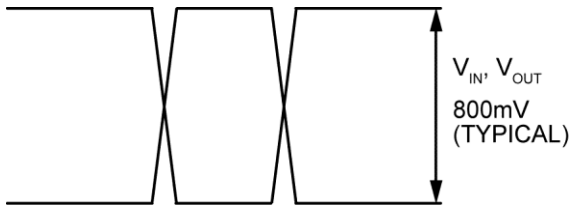


Figure 1. Single-Ended Voltage Swing

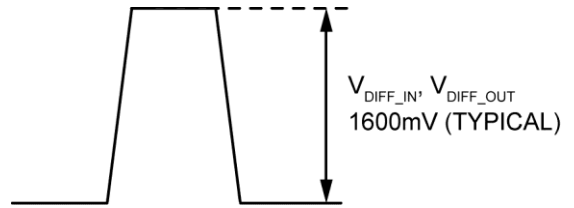
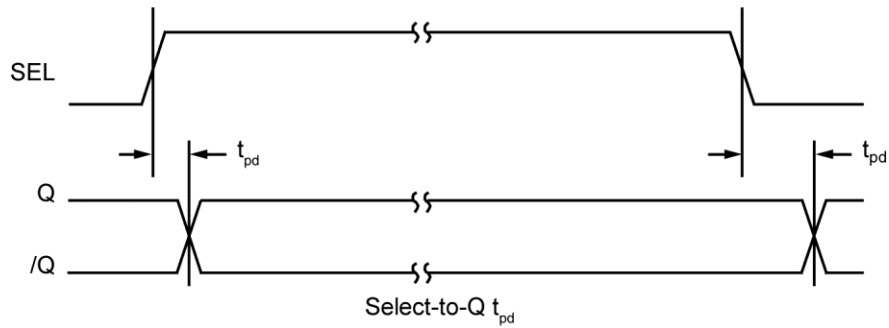
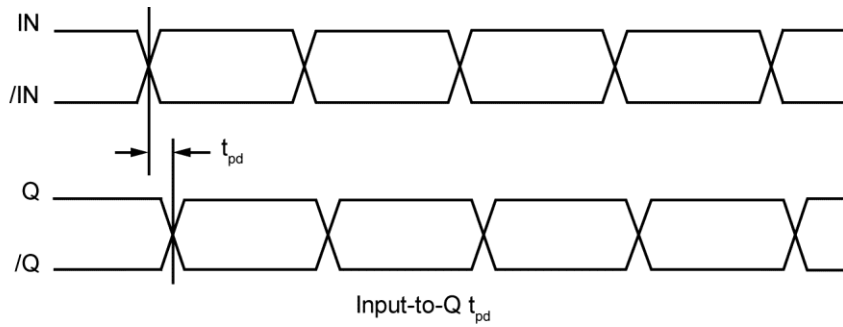


Figure 2. Differential Voltage Swing

Timing Diagrams



Input and Output Stages

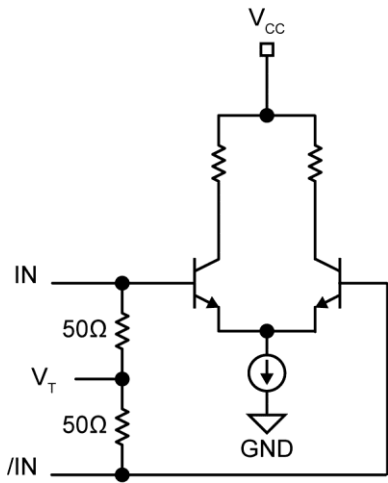


Figure 3. Simplified Differential

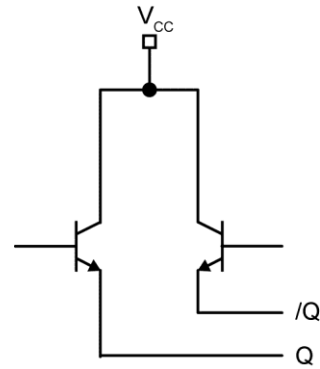


Figure 4. Simplified LVPECL Output Stage

Input Interface Applications

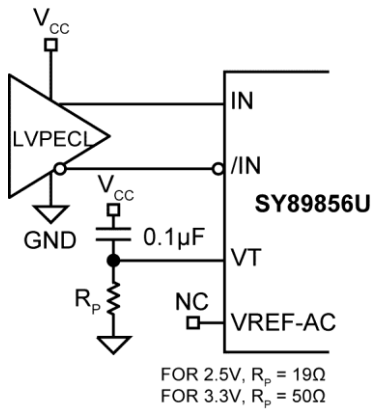


Figure 5. DC-Coupled LVPECL Input Interface

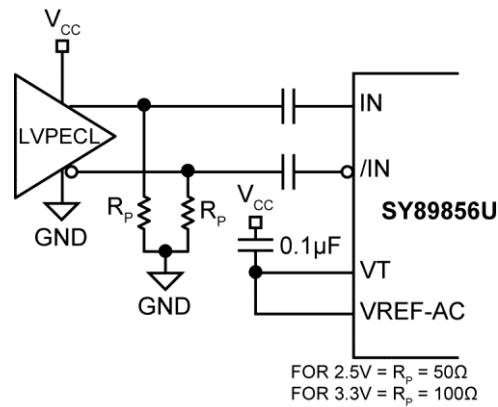


Figure 6. AC-Coupled LVPECL Input Interface

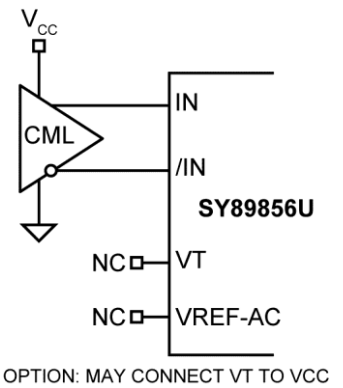


Figure 7. DC-Coupled CML Input Interface

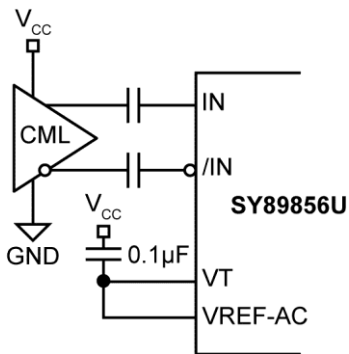


Figure 8. AC-Coupled CML Input Interface

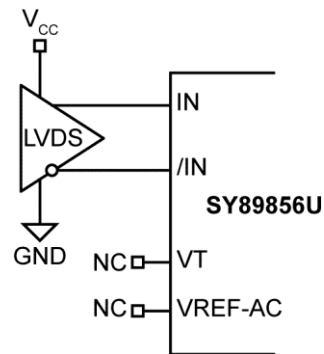


Figure 9. LVDS Input Interface

LVPECL Output Interface Applications

LVPECL has a high input impedance and a very low output impedance (open emitter), and a small signal swing which results in low EMI. LVPECL is ideal for driving 50Ω and 100Ω-controlled impedance transmission lines. There are several techniques for terminating the LVPECL output: parallel termination-Thevenin equivalent, parallel termination (3-resistor), and AC-coupled termination. Unused output pairs may be left floating. However, single-ended outputs must be terminated or balanced.

lines. There are several techniques for terminating the LVPECL output: parallel termination-Thevenin equivalent, parallel termination (3-resistor), and AC-coupled termination. Unused output pairs may be left floating. However, single-ended outputs must be terminated or balanced.

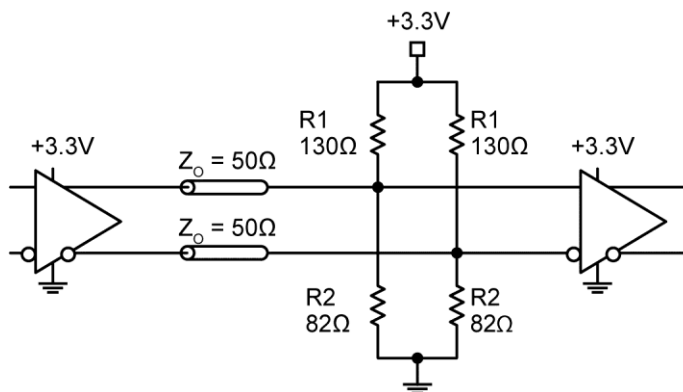


Figure 10. Parallel Termination-Thevenin Equivalent

Note:

12. For 2.5V Systems: R1 = 250Ω, R2 = 62.5Ω.

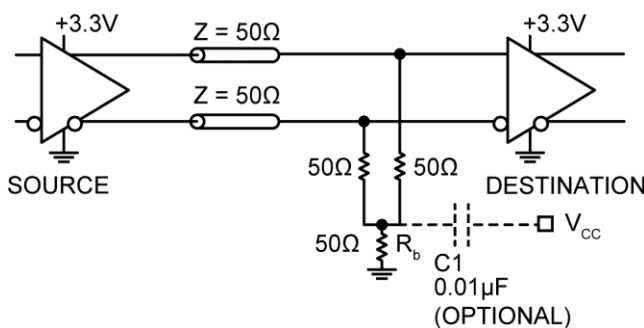


Figure 11. Parallel Termination (3-Resistors)

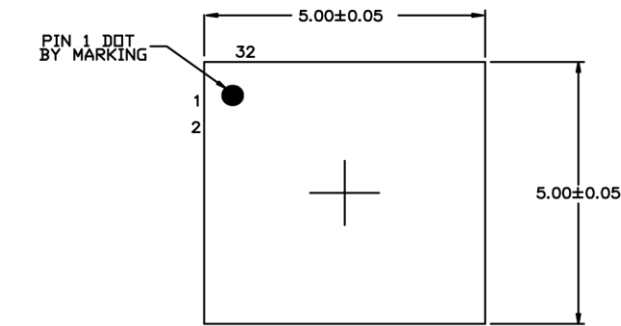
Notes:

- 13. Power-saving alternative to Thevenin termination.
- 14. Place termination resistors as close to destination inputs as possible.
- 15. R_b resistor sets the DC bias voltage, equal to V_T.
- 16. For 2.5V systems, R_b = 19Ω.

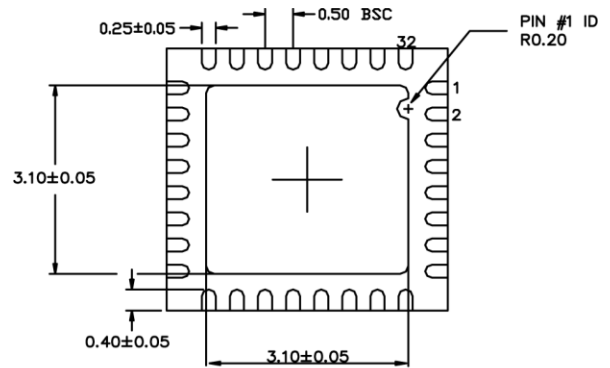
Related Documentation

Part Number	Function	Datasheet Link
SY58035U	4.5GHz, 1:6 LVPECL Fanout Buffer with 2:1 MUX Input and Internal Termination	www.micrel.com/_PDF/HBW/sy58035u.pdf
HBW Solutions	New Products and Applications	www.micrel.com/index.php/en/products/clock-timing/clock-data-distribution.html

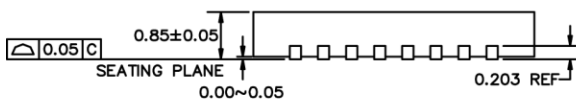
Package Information⁽¹⁷⁾



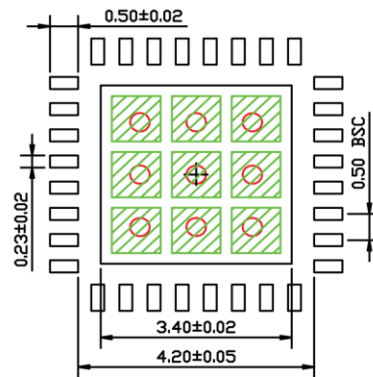
TOP VIEW
NOTE: 1, 2, 3



BOTTOM VIEW
NOTE: 1, 2, 3



SIDE VIEW
NOTE: 1, 2, 3



RECOMMENDED LAND PATTERN
NOTE: 4, 5

- NOTE:
1. MAX PACKAGE WARPAGE IS 0.05 MM
 2. MAX ALLOWABLE BURR IS 0.076MM IN ALL DIRECTIONS
 3. PIN #1 IS ON TOP WILL BE LASER MARKED
 4. RED CIRCLE IN LAND PATTERN INDICATE THERMAL VIA. SIZE SHOULD BE 0.30-0.3M IN DIAMETER AND SHOULD BE CONNECTED TO GND FOR MAX THERMAL PERFORMANCE
 5. GREEN RECTANGLES (SHADED AREA) INDICATE SOLDER STENCIL OPENING ON EXPOSED PAD AREA. SIZE SHOULD BE 0.87x0.87 MM IN SIZE, 1.07 MM PITCH.

32-Pin QFN (QFN-32)

Note:

17. Package information is correct as of the publication date. For updates and most current information, go to www.micrel.com.

MICREL, INC. 2180 FORTUNE DRIVE SAN JOSE, CA 95131 USA

TEL +1 (408) 944-0800 FAX +1 (408) 474-1000 WEB <http://www.micrel.com>

Micrel makes no representations or warranties with respect to the accuracy or completeness of the information furnished in this data sheet. This information is not intended as a warranty and Micrel does not assume responsibility for its use. Micrel reserves the right to change circuitry, specifications and descriptions at any time without notice. No license, whether express, implied, arising by estoppel or otherwise, to any intellectual property rights is granted by this document. Except as provided in Micrel's terms and conditions of sale for such products, Micrel assumes no liability whatsoever, and Micrel disclaims any express or implied warranty relating to the sale and/or use of Micrel products including liability or warranties relating to fitness for a particular purpose, merchantability, or infringement of any patent, copyright or other intellectual property right.

Micrel Products are not designed or authorized for use as components in life support appliances, devices or systems where malfunction of a product can reasonably be expected to result in personal injury. Life support devices or systems are devices or systems that (a) are intended for surgical implant into the body or (b) support or sustain life, and whose failure to perform can be reasonably expected to result in a significant injury to the user. A Purchaser's use or sale of Micrel Products for use in life support appliances, devices or systems is a Purchaser's own risk and Purchaser agrees to fully indemnify Micrel for any damages resulting from such use or sale.

© 2005 Micrel, Incorporated.