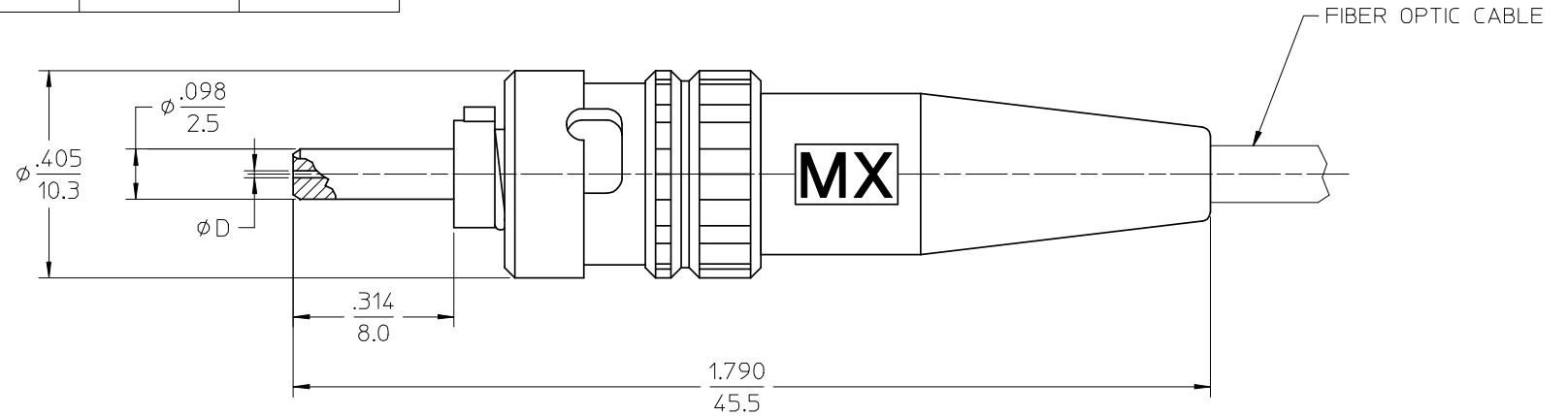


CONNECTOR P/N	D (µm)	FERRULE MATERIAL	BOOT COLOR	COUPLING NUT COLOR	CABLE TYPE
106010-0200	127	Zr PLUS	BLACK	BLACK	MULTIMODE
106010-0210*			RED		
106010-0240			BLACK		
106010-0260*			RED		
106010-2200	125.5	Zr	BLACK		SINGLE MODE
106010-2240			RED		
106010-3200	128		BLACK		MULTIMODE
106010-3240			RED		
106010-4200	125		BLACK		SINGLE MODE
106010-5200	126		YELLOW		
106010-5230			RED		
106010-5240			BLACK		
106010-7200	127		LOW COST Zr	BLACK	
106010-5299	126				



NOTES:

- DUST CAP IS INCLUDED, BUT NOT SHOWN.
- P/Ns 106010-0210 AND 106010-0260 ARE BULK PACKED IN QUANTITIES OF 100 PCS.

ENTER DESCRIPTION EC NO: MF2008-0531 DRAWN: IGUMIN CHKD: IGUMIN APPR: IGUMIN	2008/06/03 2008/06/03 2008/06/03	DESCRIPTION REV	QUALITY SYMBOLS	GENERAL TOLERANCES (UNLESS SPECIFIED)	DIMENSION STYLE	SCALE	DESIGN UNITS	THIRD ANGLE PROJECTION
			▽=0	mm INCH	IN/MM	4:1	INCH	
			∇=0	4 PLACES ± --- ± ---	DRAWN BY DATE	TITLE		
				3 PLACES ± --- ± ---	RPACIFICI 2006/01/26	ST CONNECTOR (CRIMP VERSION)		
				2 PLACES ± --- ± ---	CHECKED BY DATE			
	1 PLACE ± --- ± ---	APPROVED BY DATE	MOLEX INCORPORATED					
	ANGULAR ±1/2°	IGUMIN 2006/01/26	MATERIAL NO. DOCUMENT NO. SHEET NO.					
			SEE TABLE SD-10601X-X2X0 1 OF 1					
			DRAFT WHERE APPLICABLE MUST REMAIN WITHIN DIMENSIONS					
			THIS DRAWING CONTAINS INFORMATION THAT IS PROPRIETARY TO MOLEX INCORPORATED AND SHOULD NOT BE USED WITHOUT WRITTEN PERMISSION					