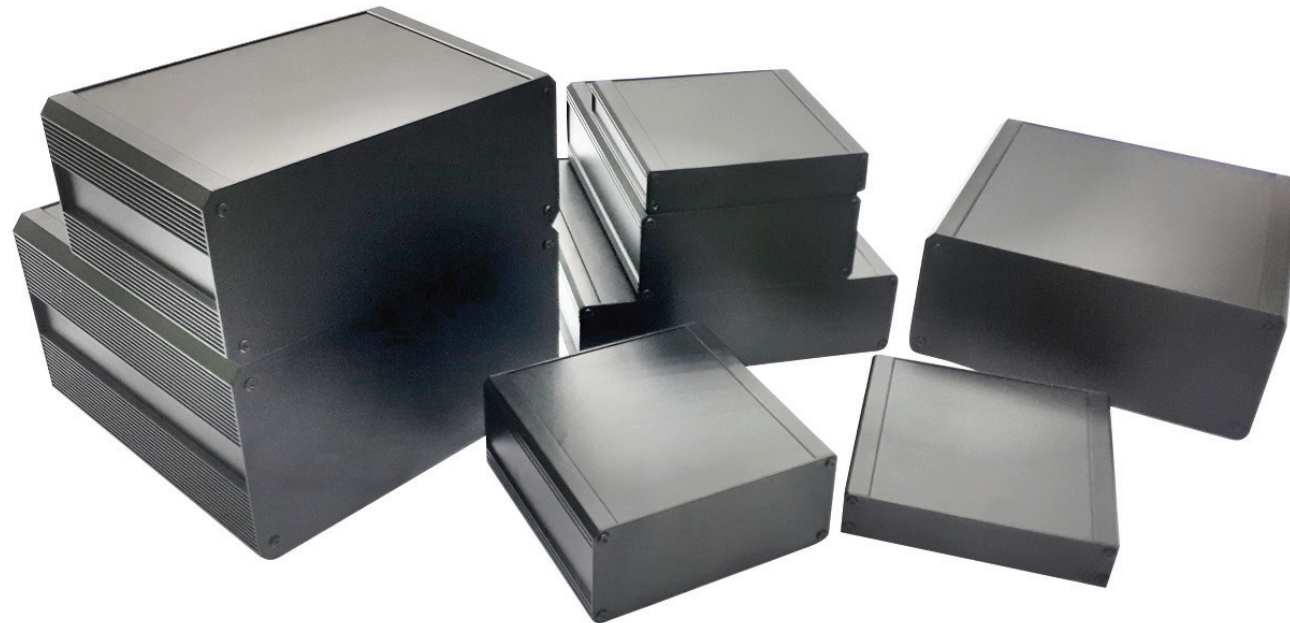
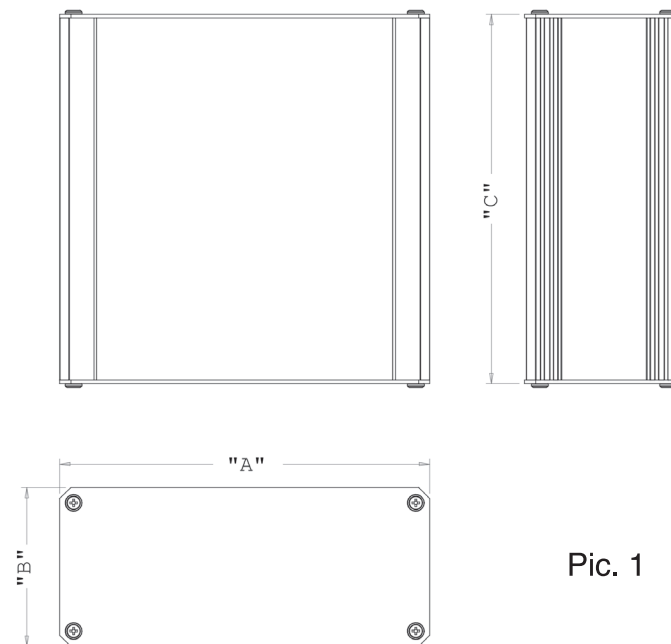


# EAB SERIES

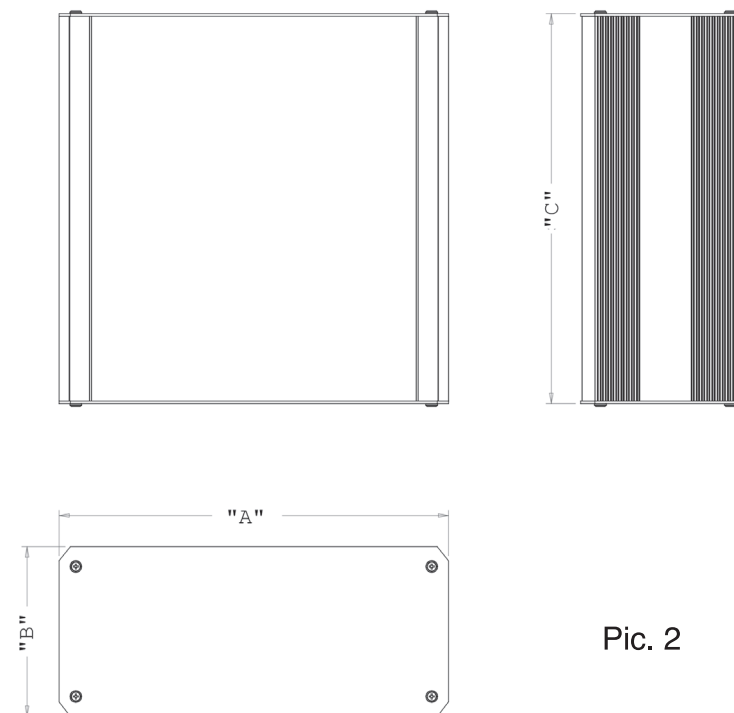


## EAB Models and Dimensions



Pic. 1

Note: The head of screw M5x10 phillips is 2.00 mm thick



Pic. 2

Note: The head of screw M5x10 phillips is 2.00 mm thick

Pic. 1 Table

For side frame 1U and 2U

No.	MODEL	Dimension unit mm.			Net Weight [kg]	Shipping Weight [kg]
		"A"	"B"	"C"		
1	EAB 1.0-100W-200D	100	41	200	0.45	0.49
2	EAB 1.0-100W-300D	100	41	300	0.62	0.67
3	EAB 1.0-100W-400D	100	41	400	0.78	0.86
4	EAB 1.0-200W-200D	200	41	200	0.63	0.78
5	EAB 1.0-200W-300D	200	41	300	0.92	1.04
6	EAB 1.0-200W-400D	200	41	400	1.18	1.32
7	EAB 1.0-300W-200D	300	41	200	0.88	1.00
8	EAB 1.0-300W-300D	300	41	300	1.23	1.38
9	EAB 1.0-300W-400D	300	41	400	1.57	1.73
10	EAB 2.0-100W-200D	100	86	200	0.58	0.62
11	EAB 2.0-100W-300D	100	86	300	0.79	0.85
12	EAB 2.0-100W-400D	100	86	400	1.00	1.08
13	EAB 2.0-200W-200D	200	86	200	0.85	0.93
14	EAB 2.0-200W-300D	200	86	300	1.15	1.40
15	EAB 2.0-200W-400D	200	86	400	1.45	1.59
16	EAB 2.0-300W-200D	300	86	200	1.12	1.24
17	EAB 2.0-300W-300D	300	86	300	1.50	1.72
18	EAB 2.0-300W-400D	300	86	400	1.89	2.05

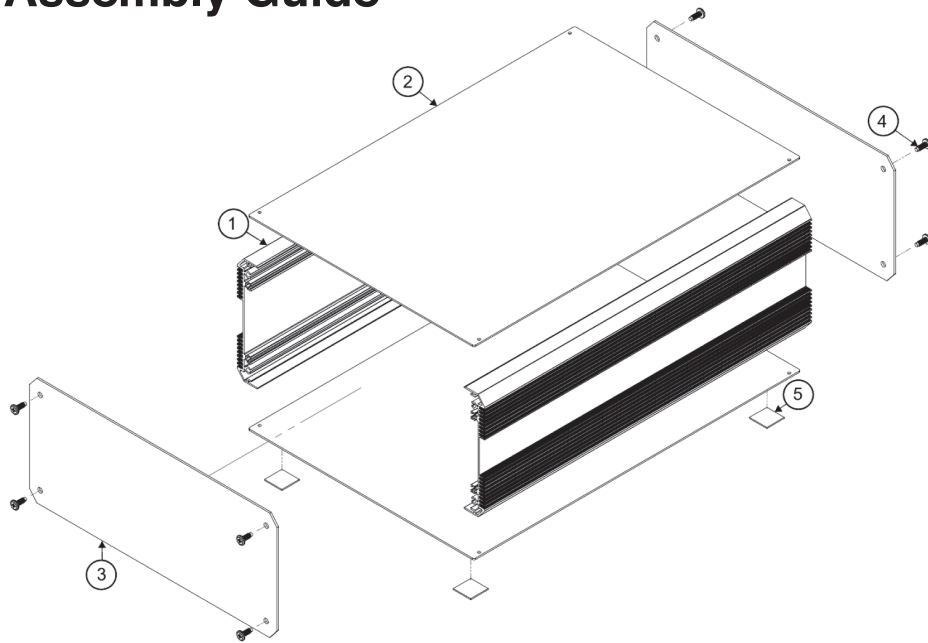
Pic. 2 Table

For side frame 3U and 6U

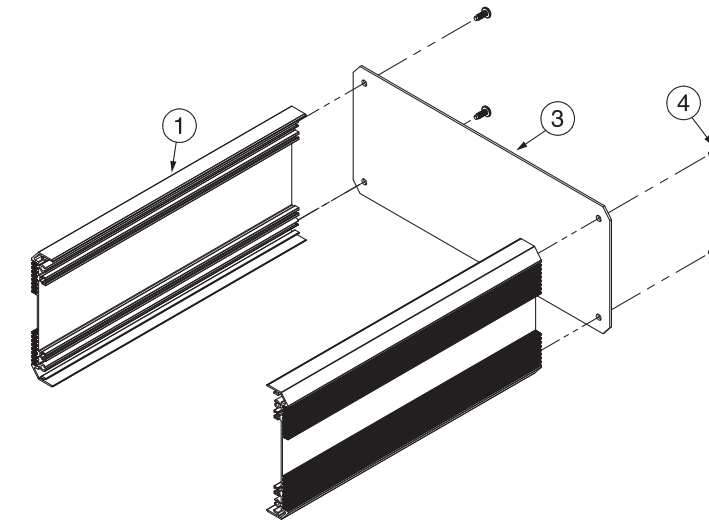
No.	MODEL	Dimension unit mm.			Net Weight [kg]	Shipping Weight [kg]
		"A"	"B"	"C"		
1	EAB 3.0-100W-200D	100	130	200	0.95	0.99
2	EAB 3.0-100W-300D	100	130	300	1.33	1.38
3	EAB 3.0-100W-400D	100	130	400	1.70	1.77
4	EAB 3.0-200W-200D	200	130	200	1.27	1.34
5	EAB 3.0-200W-300D	200	130	300	1.73	1.85
6	EAB 3.0-200W-400D	200	130	400	2.19	2.33
7	EAB 3.0-300W-200D	300	130	200	1.59	1.80
8	EAB 3.0-300W-300D	300	130	300	2.14	2.40
9	EAB 3.0-300W-400D	300	130	400	2.69	2.85
10	EAB 4.0-100W-200D	100	175	200	1.28	1.32
11	EAB 4.0-100W-300D	100	175	300	1.80	1.86
12	EAB 4.0-100W-400D	100	175	400	2.32	2.39
13	EAB 4.0-200W-200D	200	175	200	1.65	1.73
14	EAB 4.0-200W-300D	200	175	300	2.26	2.38
15	EAB 4.0-200W-400D	200	175	400	2.86	3.00
16	EAB 4.0-300W-200D	300	175	200	2.02	2.14
17	EAB 4.0-300W-300D	300	175	300	2.71	3.20
18	EAB 4.0-300W-400D	300	175	400	3.41	3.57
19	EAB 5.0-200W-200D	200	219	200	2.05	2.13
20	EAB 5.0-200W-300D	200	219	300	2.81	2.93
21	EAB 5.0-200W-400D	200	219	400	3.57	3.71
22	EAB 5.0-300W-200D	300	219	200	2.47	2.59
23	EAB 5.0-300W-300D	300	219	300	3.32	3.47
24	EAB 5.0-300W-400D	300	219	400	4.16	4.50
25	EAB 6.0-200W-200D	200	264	200	2.46	2.53
26	EAB 6.0-200W-300D	200	264	300	3.37	3.49
27	EAB 6.0-200W-400D	200	264	400	4.28	4.42
28	EAB 6.0-300W-200D	300	264	200	2.93	3.05
29	EAB 6.0-300W-300D	300	264	300	3.93	4.08
30	EAB 6.0-300W-400D	300	264	400	4.92	5.08



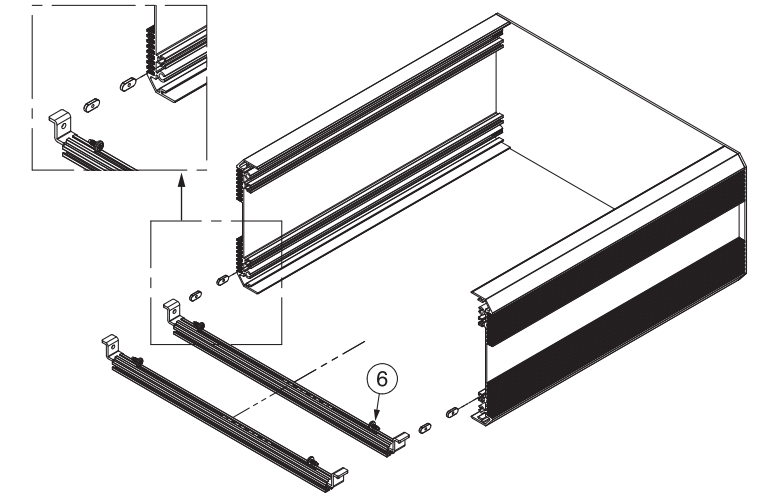
# EAB SERIES Assembly Guide



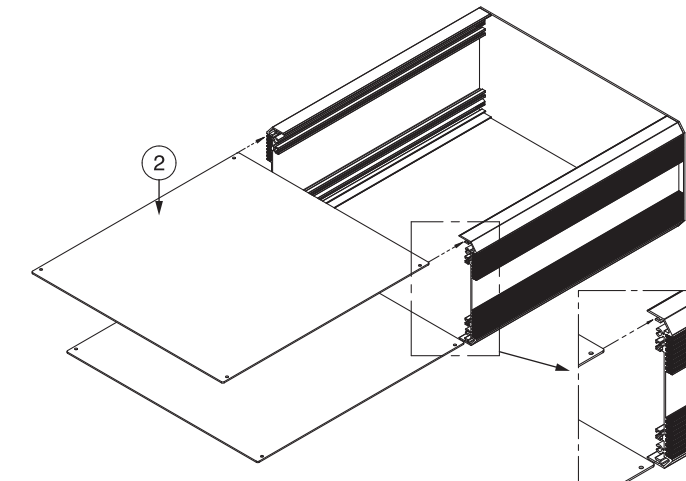
User should prepare all component assemblies and complete any modifications (drilling/punching holes) before assembly.



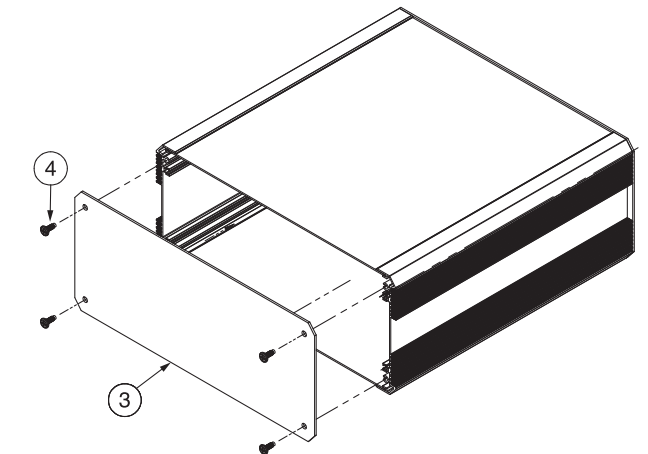
1. Install (3) front/rear panel to (1) side frame and secure with (4) screw M5x10 phillips 4pcs.



2. Install (6) GP Bar kit [option] into the slide rail slot in side frame and secure with GP bar position by screw M3x6 phillips. We advice to install user components at this stage. Our GP Bar Kits are ideal for this purpose, but user can prepare their own method



3. Slide the (2) top/bottom covers into the side frame slots.



4. Install (3) front/rear cover and secure with (4) screw M5x10 phillips 4pcs.

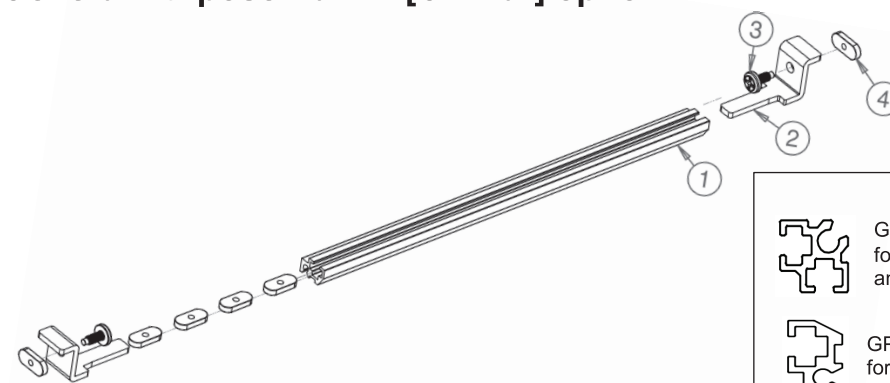
## Description

- 1. Side Frame
- 2. Top/Bottom Cover
- 3. Front/Rear Panel
- 4. Screw M5x10 Phillips
- 5. Rubber Feet

## Q'ty

- [2]
- [2]
- [2]
- [8]
- [4]

## General Purpose Bar kit [GP Bar] option



GP Bar Profile

GP Bar Large side : GP Bar L for EAB3.0, EAB4.0, EAB5.0 and EAB6.0

GP Bar Small side : GP Bar S for EAB1.0 and EAB2.0

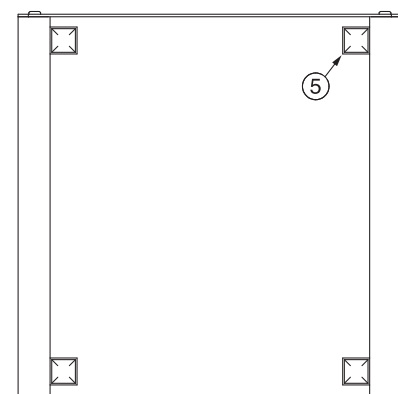
## Q'ty

GP Bar kit (L or S) consist of

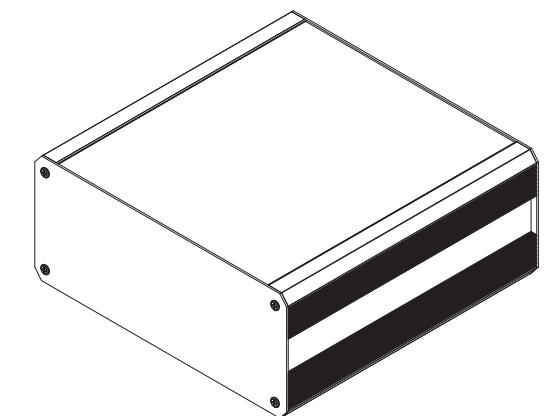
- 1. GP Bar (L or S)
- 2. GP bracket
- 3. Screw M3x6 phillips
- 4. Nut OB M3

- [2]
- [4]
- [4]
- [12]

Note: GP Bar length relates to the width ["A" dimension] when you order pls tell us GP Bar profile and the width such as "GP-S Bar 100W or GP-L Bar 200W"



5. Place the (5) rubber feet 4pcs. at the bottom side of EAB box. \*\*\* clean surface before placing rubber foot. Isopropyl Alcohol 70% is recommended \*\*\*



6. Completed Assembly.

