

Power management system IC

Features

- Two 5V low-drop voltage regulators (250mA, 100mA continuous mode)
- Low stand-by current: V_{BAT} stby, 7 μ A; V_1 stby, 45 μ A, (75 μ A in cycl. sense)
- Window watchdog and fail-safe output
- Interrupt output
- Wake-up logic with cyclic contact monitoring
- LIN 2.1 compliant (SAEJ2602 compatible) transceiver
- 24 bit SPI interface for mode control and diagnostic
- Output drivers
- 4 High side drivers for e.g. LED or HALL ($R_{DSon,typ} = 7 \Omega$)
- 1 High side driver Out_HS ($R_{DSon,typ} = 1 \Omega$)
- 2 Relay drivers ($R_{DSon,typ} = 2 \Omega$)
- Outputs are short circuit protected
- 2 Op amp's for current sensing in GND return lines
- Temperature warning and thermal shutdown



Applications

- Automotive ECU' s such as door zone and body control modules.

Description

The L9952GXP is a power management system IC containing two low drop regulators with advanced contact monitoring and additional peripheral functions.

The integrated standard serial peripheral interface (SPI) controls all L9952GXP operation modes and provides driver diagnostic functions.

Table 1. Device summary

Package	Order codes	
	Tube	Tape and reel
PowerSSO-36	L9952GXP	L9952GXPTR

Contents

- 1 Pin definitions and functions 8**
- 2 Description 11**
 - 2.1 Voltage regulator11
 - 2.1.1 Voltage regulator: V1 11
 - 2.1.2 Voltage regulator: V2 11
 - 2.2 Power control in operating modes 12
 - 2.2.1 Active mode 12
 - 2.2.2 Flash mode 12
 - 2.2.3 V1 standby mode 12
 - 2.2.4 VBAT standby mode 12
 - 2.3 Wake up events 13
 - 2.4 Functional overview (truth table) 14
 - 2.5 Wake up inputs 16
 - 2.6 Hall sensor ports: WU3,4, Dig_Out 3,4 16
 - 2.7 Interrupt 17
 - 2.8 Cyclic contact supply 17
 - 2.9 Window – watchdog 17
 - 2.10 Fail safe output 19
 - 2.11 Reset – generator 19
 - 2.12 V1, V2 fail 20
 - 2.13 Low side driver outputs Rel1, Rel2 20
 - 2.14 PWM inputs 20
 - 2.15 Operational amplifiers 21
 - 2.16 LIN bus interface 21
 - 2.17 Error handling 22
 - 2.17.1 Dominant TxD time out 22
 - 2.17.2 Short to battery time out 22
 - 2.17.3 Short to ground mode 22
 - 2.18 Wake up (from LIN) 22
 - 2.18.1 Normal wake up 22
 - 2.18.2 Wake up from short to GND condition 22

2.18.3	RxD pin in V1 standby	22
2.19	LINPU	23
2.20	Serial Peripheral Interface (SPI)	23
2.20.1	Chip Select Not (CSN)	23
2.20.2	Serial Data In (DI)	24
2.20.3	Serial Data Out (DO)	24
2.20.4	Serial Clock (CLK)	24
2.20.5	Data registers	24
3	Protection and diagnosis	25
3.1	Power supply fail	25
3.1.1	Over voltage	25
3.1.2	Under voltage	25
3.2	Temperature warning and thermal shutdown	25
3.3	SPI diagnosis	25
3.4	High side driver outputs	27
3.5	Low side driver outputs Rel1, Rel2	27
4	Absolute maximum ratings	28
5	ESD protection	29
6	Thermal data	30
6.1	Operating junction temperature	30
6.2	Temperature warning and thermal shutdown	30
6.3	Package and PCB thermal data	31
7	Electrical characteristics	34
7.1	Supply and supply monitoring	34
7.2	Oscillator	35
7.3	Power-on reset (Vs)	35
7.4	Voltage regulator V1	35
7.5	Voltage regulator V2	36
7.6	Reset generator (V1 supervision)	37
7.7	Watchdog	37

- 7.8 High side outputs 39
 - 7.8.1 Output (Out_HS) 39
 - 7.8.2 Outputs (OUT1...4) 40
- 7.9 Relay drivers 40
- 7.10 Wake up inputs (WU1..WU4) 41
- 7.11 Wake up input (INH) 42
- 7.12 LIN 42
- 7.13 Operational amplifier 47
- 7.14 SPI 48
 - 7.14.1 Input: CSN 48
 - 7.14.2 Inputs: CLK, DI, PWM 1, PWM 2 48
 - 7.14.3 Input PWM 2 Vth for flash mode 49
 - 7.14.4 DI timing 49
 - 7.14.5 DO, FSO, Dig_Out3,4 50
 - 7.14.6 DO timing 50
 - 7.14.7 CSN timing 51
- 8 SPI control and status registers 54**
 - 8.1 SPI registers 54
 - 8.1.1 Control register 0 55
 - 8.1.2 Control register 1 56
 - 8.1.3 Control register 2 59
 - 8.1.4 Status register 0 61
 - 8.1.5 Status register 1 62
- 9 Package and packing information 64**
 - 9.1 ECOPACK® packages 64
 - 9.2 PowerSSO-36 package information 64
 - 9.3 PowerSSO-36 packing information 66
- 10 Revision history 67**



List of tables

Table 1.	Device summary	1
Table 2.	Pins definitions and functions	8
Table 4.	Functional overview (truth table)	14
Table 5.	Absolute maximum ratings	28
Table 6.	ESD protection	29
Table 7.	Operating junction temperature	30
Table 8.	Temperature warning and thermal shutdown	30
Table 9.	Thermal parameters	33
Table 10.	Supply and supply monitoring.	34
Table 11.	Oscillator.	35
Table 12.	Power-on Reset (Vs)	35
Table 13.	Voltage regulator V1	35
Table 14.	Voltage regulator V2.	36
Table 15.	Reset generator	37
Table 16.	Watchdog	37
Table 17.	High side outputs (Out_HS)	39
Table 18.	High side outputs (OUT 1..4)	40
Table 19.	Relay drivers.	40
Table 20.	Wake up inputs(WU1...WU4)	41
Table 21.	Wake up input (INH)	42
Table 22.	LIN receiver	42
Table 23.	LIN DC parameters.	43
Table 24.	LIN transmitter	44
Table 25.	LIN timing	44
Table 26.	LIN DC values.	45
Table 27.	Operational amplifier.	47
Table 28.	SPI (Input CSN)	48
Table 29.	Inputs: CLK, DI, PWM 1, PWM 2	48
Table 30.	Input PWM2 Vth for flash mode	49
Table 31.	DI timing	49
Table 32.	DO, FSO, Digout3,4	50
Table 33.	DO timing	50
Table 34.	CSN timing	51
Table 35.	SPI registers	54
Table 36.	Control register 0	55
Table 37.	Configuration bit HSxx	55
Table 38.	Configuration bit OUT_HSx	55
Table 39.	Configuration bit RELx	55
Table 40.	Configuration bit On_V2x	55
Table 41.	Configuration bit TRIG, GO_VBAT, GO_V1.	56
Table 42.	Control register 1	56
Table 43.	Configuration bit Wx	56
Table 44.	Configuration bit Ux	57
Table 45.	Configuration bit Lx.	57
Table 46.	Configuration bit Txx.	58
Table 47.	Configuration bit INT_enable	58
Table 48.	Control register 2	59
Table 49.	Configuration bit OLT_HSx, VSLOCK Out, O_HS_REC, LINPU and TXD_TOUT.	59

Table 50.	Configuration bit LEVx	59
Table 51.	Configuration bit ICxx	60
Table 52.	Configuration bit LIN slope, LS_ovuv and ICMP	60
Table 53.	Status register 0	61
Table 54.	Configuration bit HSx_OL, HSx_OC and Relx_OC	61
Table 55.	Configuration bit SHT5V2, WUx, INH, LIN and Cold Start	61
Table 56.	Status register 1	62
Table 57.	Configuration bit OV, UV, TW, TSDx and Vx Fail	62
Table 58.	Configuration bit STx	62
Table 59.	Configuration bit Rx, WDx, TRIG, SHT_GND, SHT_BAT and DOM_TXD	63
Table 60.	PowerSSO-36 mechanical data	64
Table 61.	Document revision history	67

List of figures

Figure 1.	Block diagram	8
Figure 2.	Pins configuration	10
Figure 3.	Operating modes, main states	15
Figure 4.	Watchdog	18
Figure 5.	FSO	19
Figure 6.	NReset	19
Figure 7.	Lin master pull up	21
Figure 8.	Protection and diagnosis	26
Figure 9.	PowerSSO-36 PC board.	31
Figure 10.	PowerSSO-36 thermal resistance junction ambient Vs. PCB copper area (V1 ON)	32
Figure 11.	PowerSSO-36 thermal impedance junction ambient single pulse (V1 ON)	32
Figure 12.	PowerSSO-36 thermal fitting model (V1 ON)	33
Figure 13.	Watchdog timing	38
Figure 14.	Watchdog, closed and open window tolerances and save trigger area	39
Figure 15.	LIN transmit, receive timing	46
Figure 16.	SPI - Input timing	51
Figure 17.	SPI - Edges timing	52
Figure 18.	SPI - CSN low to high transition	53
Figure 19.	SPI - High to low transition	53
Figure 20.	PowerSSO-36 package dimensions	64
Figure 21.	PowerSSO-36 tube shipment (no suffix).	66
Figure 22.	PowerSSO-36 tape and reel shipment (suffix "TR")	66

1 Pin definitions and functions

Figure 1. Block diagram

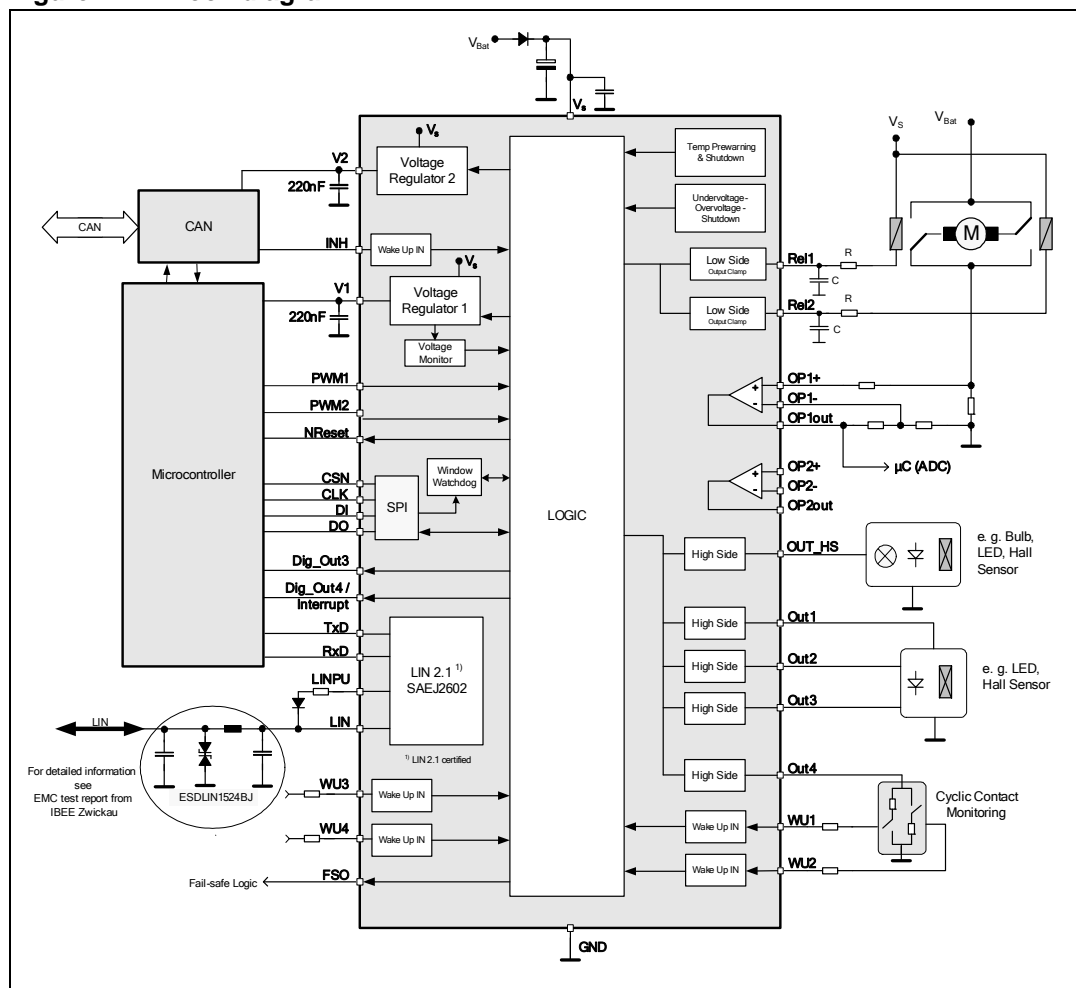


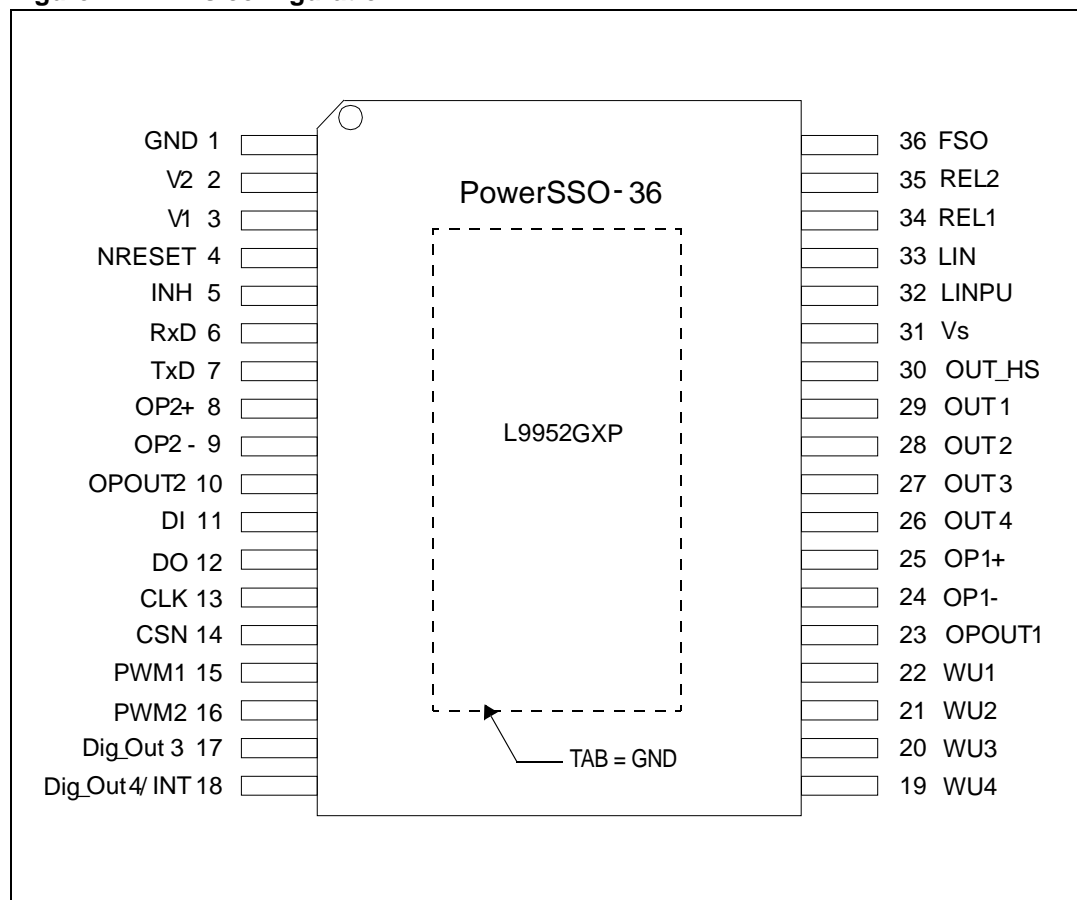
Table 2. Pins definitions and functions

Pin name	PowerSS0-36	Function
GND	1	Ground
V2	2	Voltage regulator 2 output : 5 V supply for external loads e.g. IR receiver, potentiometer
V1	3	Voltage regulator 1 output : 5 V supply e.g. micro controller, Can transceiver
NReset	4	NReset output to micro controller - Internal pull-up of typ. 100KΩ (reset state = low)
INH	5	Wake-up input e.g. from CAN transceiver
RxD	6	Receiver output of the LIN 2.1 transceiver

Table 2. Pins definitions and functions (continued)

Pin name	PowerSS0-36	Function
TxD	7	Transmitter input of the LIN 2.1 transceiver
OP2+	8	Non inverting input of operational sense amplifier
OP2-	9	Inverting input of operational sense amplifier
OP2 _{OUT}	10	Output of operational sense amplifier
DI	11	SPI : serial data input
DO	12	SPI : serial data output
CLK	13	SPI : serial clock input
CSN	14	SPI : chip select not input
PWM1	15	Pulse width modulation input
PWM2	16	Pulse width modulation input
Dig_Out3	17	Digital output
Dig_Out4/INT	18	Digital output (configurable as Interrupt Output)
Wu _{4..1}	19 to 22	Wake-up input: input pins for static or cyclic monitoring of external contacts
OP1 _{OUT}	23	Output of operational sense amplifier
OP1-	24	Inverting input of operational sense amplifier
OP1+	25	Non inverting input of operational sense amplifier
Out _{4..1}	26 to 29	High side driver (7 Ω , typ.) - to supply e.g. LED' s, HALL sensors or external contacts
Out_HS	30	High side drivers (1 Ω , typ.) - to supply e.g. LED' s, Bulbs, HALL sensors or external contacts
Vs	31	Power supply voltage
LINPU	32	LIN master pull up
LIN	33	LIN bus line
Rel1	34	Low side driver (2 Ω , typ.) - e.g. relay
Rel2	35	Low side driver (2 Ω , typ.) - e.g. relay
FSO	36	Fail safe output - used to supervise or control applications in case of watchdog and/or V1 under-voltage failure (e.g. to activate emergency lights)

Figure 2. Pins configuration



2 Description

2.1 Voltage regulator

The L9952GXP contains 2 independent and fully protected low drop voltage regulators, which are designed for very fast transient response.

The output voltage is stable with loads capacitors $\geq 220\text{nF}$.

2.1.1 Voltage regulator: V1

The voltage regulator V1 provides 5V supply voltage and up to 250mA continuous load current for the external digital logic (micro controller, CAN transceiver ...). In addition the regulator V1 drives the L9952GXP internal 5V loads. The voltage regulator is protected against overload and over-temperature. An external reverse current protection has to be provided by the application circuitry to prevent the output capacitor from being discharged by negative transients or low input voltage. The output voltage precision is better than $\pm 2\%$ (incl. temperature drift and line-/load regulation) for operating mode; respectively $\pm 3\%$ during low current mode. Current limitation of the regulator ensures fast charge of external bypass capacitors. The output voltage is stable for ceramic load capacitors $\geq 220\text{nF}$.

If device Temperature exceeds TSD1 threshold, all outputs (Hsx, Lsx, V2, LIN) will be deactivated except V1. Hence the micro controller has the possibility for interaction or error logging. In case of exceeding TSD2 threshold ($\text{TSD2} > \text{TSD1}$), also V1 will be deactivated (see state chart Fig. 3.1: "Protection and diagnosis"). A timer is started and the voltage regulator is deactivated for $t_{\text{TSD}} = 1\text{sec}$. During this time, all other wakeup sources (CAN, LIN, and WU1...4) are disabled. After 1 sec, the voltage regulator will try to restart automatically. If TSD2 occurs within one minute and for 8 consecutive times, the L9952GXP enters the V_{BAT} - standby mode.

In case of short to GND at "V1" after initial turn on ($V1 < 2\text{V}$ for at least 4ms) the L9952GXP enters the V_{BAT} - standby mode. Reactivation (wake-up) of the device can be achieved with signals from CAN, LIN, WU1..4, SPI.

2.1.2 Voltage regulator: V2

The voltage regulator V2 supplies additional 5V loads (e.g. Logic components, external sensors, external potentiometers). The continuous load current is 50mA. The regulator provides accuracy better than $\pm 3\%$ @ 50mA (4% @ 100mA) load current.

In case of short to GND at "V2" after initial turn on ($V2 < 2\text{V}$ for at least 4ms) the V2 regulator is switched off. Micro processor has to send a clear command to reactivate the V2 regulator.

V2 is protected against:

- Overload
- Over temperature
- Short circuit (short to ground and battery supply voltage)
- Reverse biasing

2.2 Power control in operating modes

The L9952GXP can be operated in 4 different operating modes:

- Active
- Flash
- V_1 - standby
- V_{BAT} - standby

A cyclic monitoring of wake-up inputs is available in stand-by modes.

2.2.1 Active mode

All functions are available.

2.2.2 Flash mode

To disable the watchdog feature a FLASH program mode is available.

The mode can be entered by $V_{PWM2} \geq 9V$

In this case all other functions are the same as in active mode

Watchdog can be disabled as well as soon as L9952GXP enters the V_1 standby mode (see section 2.9 for details)

Note: "High" level for flash mode selection is $V_{PWM2} \geq 9V$. For all other operation modes, standard 5V logic signals are required. For proper operation PWM1 must not be set to a voltage level above standard 5V logic.

2.2.3 V_1 standby mode

Outputs and internal loads are switched off. To supply the micro controller in a low power mode, the voltage regulator1 (V_1) remains active. The intention of the V_1 standby mode is to preserve the RAM contents. A cyclic contact supply and wake-up input sense feature (for cyclic monitoring of external contacts) can be activated by SPI.

2.2.4 V_{BAT} standby mode

To achieve minimum current consumption during V_{BAT} standby mode, all L9952GXP functions (except the ones for wake up functionality) are switched off.

In V_{BAT} - standby mode the current consumption of the L9952GXP is reduced to $7\mu A$, typical (without cyclic sense feature selected).

The transitions from active mode to either V_1 -standby or V_{BAT} - standby are controlled by SPI.

V_{BAT} - standby mode is dominant; i.e. if both bits, V_1 - standby and V_{BAT} - standby are set to "1", the L9952GXP will enter V_{BAT} - standby mode.

2.3 Wake up events

A wake-up from standby mode will switch the device to active mode. This can be initiated by one or more of the following sources:

- Change of the LIN state at LIN bus interfaces
- A current at the INH pin ($I \geq 200\mu\text{A}$) controlled by the CAN-transceiver (the CAN transceiver is not a part of the IC).
- Positive/negative edge at wake up pins WU1...WU4 -> change of level after going into stand-by
- Change of open-load state at OUT1 to 4
- SPI access in V1-standby mode (CSN is low and first rising edge on CLK)

Table 3. Wake up events

Wake up source	Description
LIN	Always active
INH	Always active
WU1...4	Can be individually disabled via SPI
Open Load at HS outputs	Can be individually disabled via SPI
SPI Access	Always active (except in V_{BAT} - standby mode)
High level at PWM2 input	$V_{\text{PWM2}} > 9\text{V}$ ⁽¹⁾

1. Only if internal oscillator is running (e. g. in cyclic sense configuration or after wake-up request).

All wake-up events (except wake-up by LIN, INH or SPI from V1standby mode) generate a Reset pulse (NReset low for 2ms).

Wake-up events from V1standby by LIN, INH or SPI do not cause a Reset and the Reset generation is blocked for 2ms, i. e. a watchdog failure during this timeframe will not cause a reset.

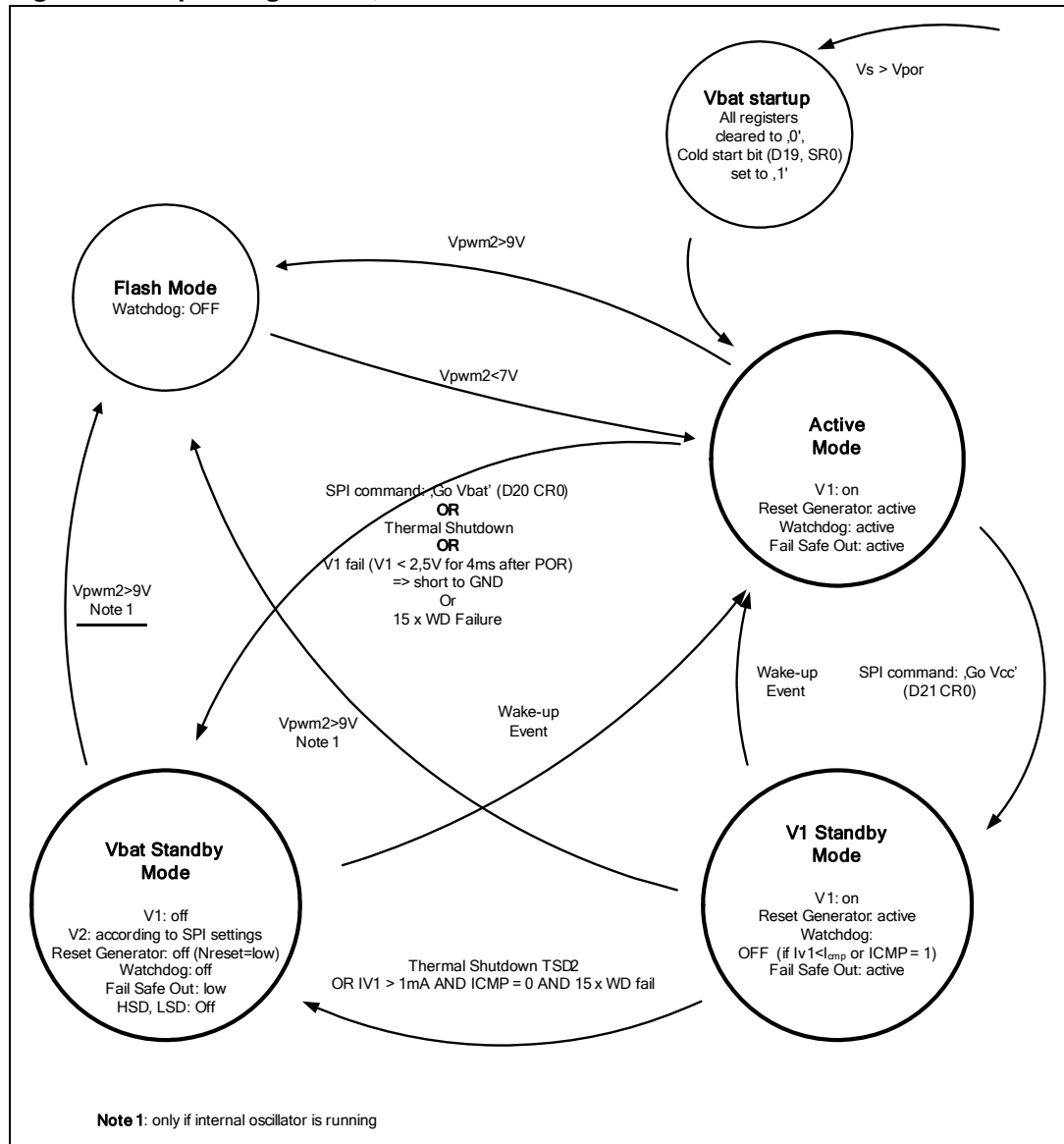
2.4 Functional overview (truth table)

Table 4. Functional overview (truth table)

	Function	Comments	Operating modes		
			Active mode	V ₁ -standby static mode (cyclic sense)	V _{BAT} -standby static mode (cyclic sense)
2.3.1	Voltage-regulator, V1	VOUT= 5V	On	On ⁽¹⁾	Off
2.3.2	Voltage-regulator, V2	VOUT= 5V	On / Off ⁽²⁾	On ⁽²⁾ / Off	On ⁽²⁾ / Off
2.3.3	Reset-generator		On	On	Off
2.3.4	Window watchdog	V ₁ monitor	On	Off if (I _{V1} < I _{CMP} and I _{CMP} =0) or I _{CMP} = 1	Off
2.3.5	Wake up		Off ⁽³⁾	Active ⁽⁴⁾	Active ⁽⁴⁾
2.3.6	HS-cyclic supply	Oscillator timebase	On / Off	On ⁽²⁾ / Off	On ⁽²⁾ / Off
2.3.7	Relay driver		On	Off	Off
2.3.8	Operational amplifiers		On	Off	Off
2.3.9	LIN line driver	LIN 2.1	On	Off	Off
2.3.10	LIN line receiver		On	On	On
2.3.11	FSO	Fail-safe output	Hi – no error Lo – WD or V1 fail	Hi – no error Lo – WD or V1 fail ⁽⁵⁾	Lo -> because V1= off
2.3.12	Oscillator		On	⁽⁶⁾	⁽⁶⁾
2.3.13	Vs-Monitor		On	⁽⁷⁾	⁽⁷⁾

1. Supply the processor in low current mode
2. Only active when selected via SPI
3. Input Status can be read by SPI (Status Register 0); Inputs should be configured for static sense (Control Register 2)
4. Unless disabled by SPI
5. Watchdog is active in V1 standby mode, until I(V1) is below I_{CMP} current threshold
6. Activation = ON if cyclic sense is selected
7. Cyclic activation = pulsed ON during cyclic sense

Figure 3. Operating modes, main states



2.5 Wake up inputs

The de-bounced digital inputs WU1...WU4 can be used to wake up the L9952GXP from standby modes. These inputs are sensitive to any level transition (positive and negative edge)

For static contact monitoring, a filter time of 64 μ s is implemented at WU1-4. The filter is started when the input voltage passes the specified threshold. At $V_{in} > 1V$ and $V_{in} < (V_s - 2V)$, a Wake-up request is processed. During Wake-up request, the internal oscillator and other circuit blocks are activated in order to allow more accurate monitoring of the inputs.

In addition to the continuous sensing (static contact monitoring) at the wake up inputs, a cyclic wake up feature is implemented. This feature allows periodical activation of the wake-up inputs to read the status of the external contacts. The periodical activation can be linked to Timer 1 (0.5sec to 4.0sec in 0.5sec steps) or Timer 2 (50ms). The input signal is filtered with a filter time of 16 μ s after a programmable delay (80 μ s or 800 μ s). A Wake-up will be processed if the status has changed versus the previous cycle.

The Outputs OUT_HS and OUT1-4 can be used to supply the external contacts with the timing according to the cyclic monitoring of the wake-up inputs.

If the wake-up inputs are configured for cyclic sense mode (Ic_{xx} in control register 2), the same input filter timing (Timer1 or Timer2) and the corresponding input filter delay (control register 2) must be used for the HS Outputs (Hs_{xx} in control register 0) which supply the external contact switches.

In Standby mode, the inputs WU1-4 are SPI configurable for pull-up or pull-down current source configuration according to the setup of the external contacts (pull-up for active low contacts, pull-down for active high contacts). In active mode the inputs have a pull down resistor of 100 k Ω (typ).

In Active mode, the input status can be read by SPI (Status Register 0). Static sense should be configured (Control Register 2) before the read operation is started (In cyclic sense configuration, the input status is updated according to the cyclic sense timing; Therefore, reading the input status in this mode may not reflect the actual status).

2.6 Hall sensor ports: WU3,4, Dig_Out 3,4

Applications like Hall sensor outputs need high processing speed. The 12V signals connected to the wakeup inputs WU3 and WU4 can be looped through to the digital outputs Dig_Out 3 and Dig_Out 4 (5V) in order to avoid read out of the input state by SPI.

The setup is programmable by SPI.

The open load states of the High Side Drivers OUT1 and OUT2 can be looped through the digital outputs Dig_Out3 and Dig_Out4 without delay. In addition, the status of OUT1 and OUT2 can be accessed through the SPI interface. This feature is intended for 2-pin HALL sensors. Open Load information is only valid during ON state.

The Open Load threshold at pins OUT1...4 can be switched from $I_{OLD1} = 2mA$ to $I_{OLD2} = 8 mA$ via SPI .

2.7 Interrupt

Dig_Out4 can be configured via SPI as Interrupt output (INT) by setting Bit 20 / CR1:INT_enable='1'.

This configuration will enable the following behaviour:

- INT pin is pulled high for 2ms in case of any wake-up from V1 standby mode (WU inputs, LIN, INH, SPI, open load HS, $I_{V1} > I_{CMP_ris}$)
- Wake-up events from V1 standby do not generate a reset (i.e. NRESET is not pulled low)
- The Dig_Out4 settings in CR1 (Bits 12..14) will be ignored

2.8 Cyclic contact supply

In V1 and V_{BAT} -standby mode, any high side driver output (OUT1..4, OUTHS) can be used to periodically supply external contacts.

The timing is selectable by SPI

Timer 1: period is X sec, the on-time is 10ms resp. 20ms

With $X \in \{0.5, 1.0, 1.5, \dots 4\}$

Timer 2: period is 50ms, the on- time is 100us resp. 1ms:

Note: Cyclic sense setup: if cyclic sense feature is used for wake-up inputs (Icxx in control register 2), same input filter timing (Timer1 or Timer2) must be used for HS Outputs (Hsxx in control register 0).

2.9 Window – watchdog

During normal operation the watchdog monitors the micro controller within a nominal trigger cycle of 10ms.

In V_{BAT} -standby , V1-standby and Flash program modes, the watchdog circuit is automatically disabled. However, the watchdog will remain enabled in V1-standby mode until the current at V1 decreases below I_{CMP_fall} . The V1 current monitoring can be disabled, if the I_{CMP} bit (CR2, D20) is set to '1'.

After 'power-on', 'standby mode' or reset, the window watchdog starts with a long open window (65ms). The long open window allows the micro controller to run its own setup and then to trigger the watchdog via the SPI. The trigger is finally accepted when the CSN input becomes HIGH after the transmission of the SPI word.

A correct watchdog trigger will start the window watchdog with a closed window (< 6ms) followed by an open window (< 10ms), see timing diagrams. Subsequently, the micro controller has to serve the watchdog by alternating the watchdog trigger bit (CR0, D19). The "negative" or "positive" edge has to meet the open window time. A correct watchdog trigger signal will immediately start the next closed window.

After 8 watchdog failures in sequence, the V1 regulator is switched off for 200ms. In case of 7 further watchdog failures, the V1 regulator is completely turned off and the device goes into V_{BAT} .standby mode until a wakeup occurs. (e.g. via LIN, CAN/INH).

The watchdog is triggered by toggling the trigger bit (CR0, D19).

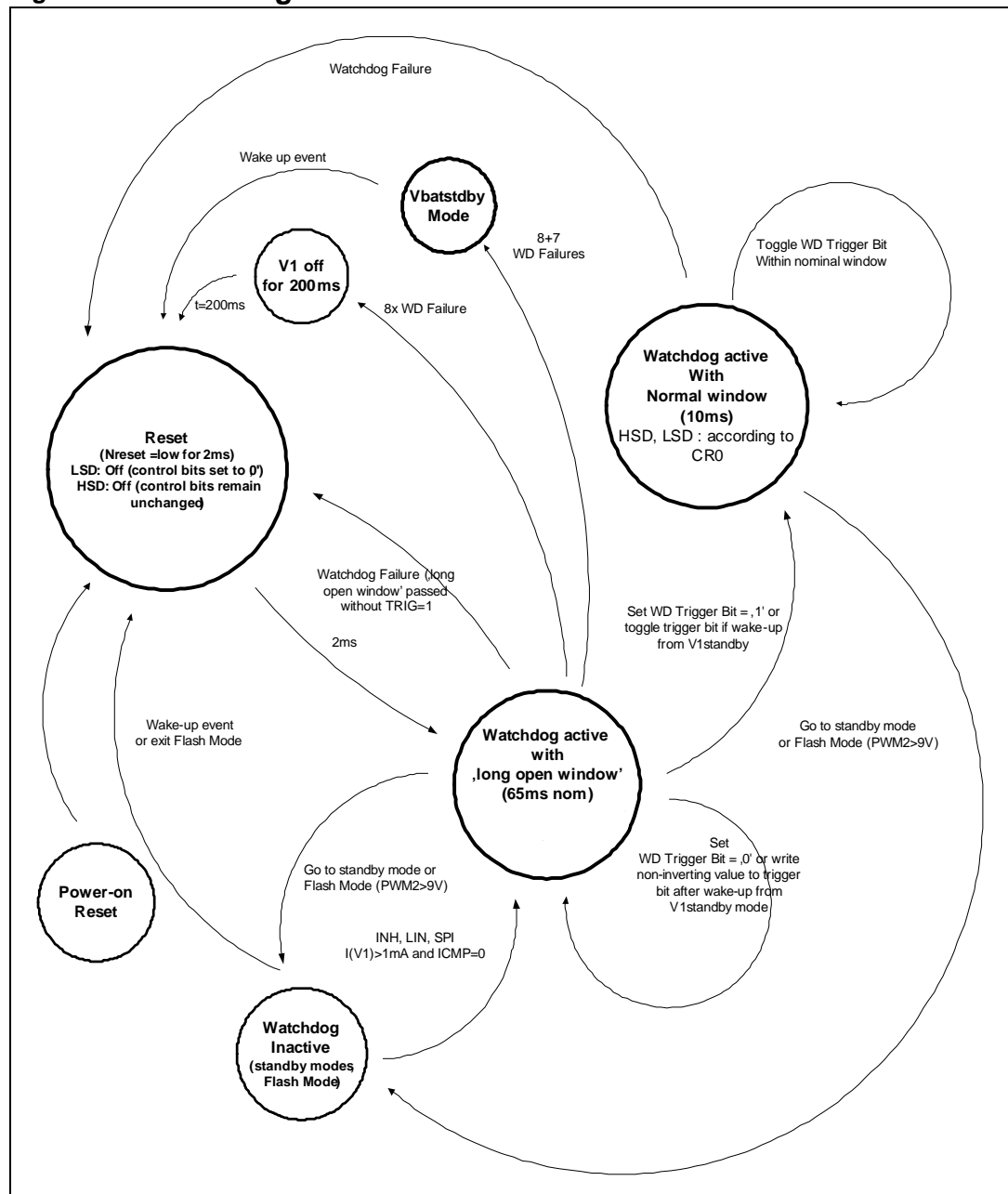
Note: The active trigger window will be reset after each correct trigger write operation.

In case of reset (NReset low for 2ms) the trigger bit is set to "0".

In case of a WD failure, the outputs (Lsx, Hsx, V2) are switched off and NReset is pulled low for 2ms.

Writing to control register 0 without inverting the WD trigger bit is possible at any time.

Figure 4. Watchdog



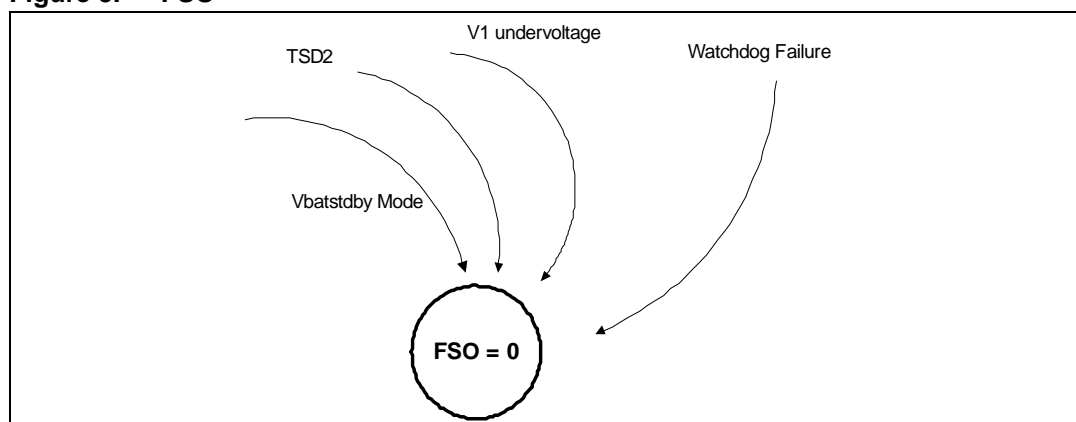
2.10 Fail safe output

After power-on ($V_s > V_{POR}$) or wakeup from V_{BAT} -standby mode, the output FSO is set to "HIGH", if V1 is above the V1 threshold. FSO is set to "LOW" in case of V1 under voltage or watchdog failure.

During V1-standby mode, FSO is HIGH unless a V1 under-voltage or watchdog reset occurs. WD remains enabled in V1 standby mode until I_{V1} drops below 150uA. In V_{BAT} -standby mode, FSO is low. At exit from V_{BAT} -standby mode, it goes to high as soon as V1 is stable.

At wakeup FSO remains high, provided that the watchdog is triggered successfully. It is set low if the watchdog is not served during the long open window of if a V1 under-voltage occurs.

Figure 5. FSO

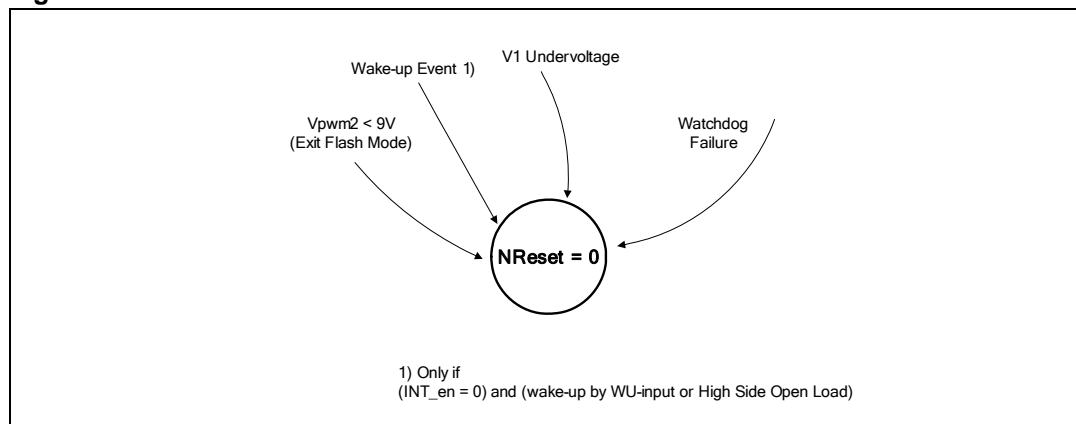


2.11 Reset – generator

IF V1 is turned on and the voltage exceeds the V1 reset threshold, the reset output "NRESET" is switched to "HIGH" after a 2ms reset delay time. This is necessary for a defined start of the micro controller when the application is switched on.

As soon as an under voltage condition of the output voltage ($V1 < VRT$) for more than 8us appears, the reset output is switched low again.

Figure 6. NReset



2.12 V1, V2 fail

The V_1 , and V_2 regulator output voltages are monitored.

In case of a drop below the V_1, V_2 – fail thresholds ($V_{1,2} < 2V$, typ for $t > 2\mu s$), the $V_{1,2}$ - fail bits are latched. The fail bits are cleared by a dedicated SPI command.

If 4ms after turn on of the regulator the $V_{1,2}$ voltage is below the $V_{1,2}$ fail thresholds, (independent for $V_{1,2}$), the L9952GXP will identify a short circuit condition at the related regulator output and the regulator will be switched off.

In case of a V1 failure the device enters V_{BAT} - standby mode automatically.

In case of a V2 failure the SHT5V2 bit (SR0 Bit12) is set.

2.13 Low side driver outputs Rel1, Rel2

The outputs Rel1, Rel2 ($R_{DSon} = 2 \Omega$ typ. @25 °C) are specially designed to drive relay loads.

Typical relays used have the following characteristics:

Relay type 1:

- closed armature: $R = 160 \Omega \pm 10\%$, $L = 300mH$
- open armature: $R = 160 \Omega \pm 10\%$, $L = 240mH$

Relay type 2:

- closed armature: $R = 220 \Omega \pm 10\%$, $L = 420mH$
- open armature: $R = 220 \Omega \pm 10\%$, $L = 330mH$

The outputs provide an active output zener clamping (40V) feature for the demagnetisation of the relay coil, even though a load dump condition exists. In case of watchdog failure the relay drivers will be switched off and the low side driver control bits are cleared.

- Note:*
- 1 *Due to relays bouncing, high dV/dt and/or dI/dt transients may occur on the low side driver outputs. In case high currents are switched (for example window lift motor), due to parasitic capacitive inductive coupling from load side of relays to the relays coils, the Absolute Maximum Ratings of the Low Side driver outputs may be exceeded. In order to avoid this, it is recommended to place a 10nF capacitor at the Rel1, Rel2 outputs to GND.*
 - 2 *If a hard short circuit to V_{BAT} is possible at the "Low Side Driver" outputs, an RC network is required with $T_{RC} > 1\mu s$, $R \geq 1 \Omega$ (see block diagram, the value is given for an output short circuit of given $dI/dt = 5A/\mu s$).*

2.14 PWM inputs

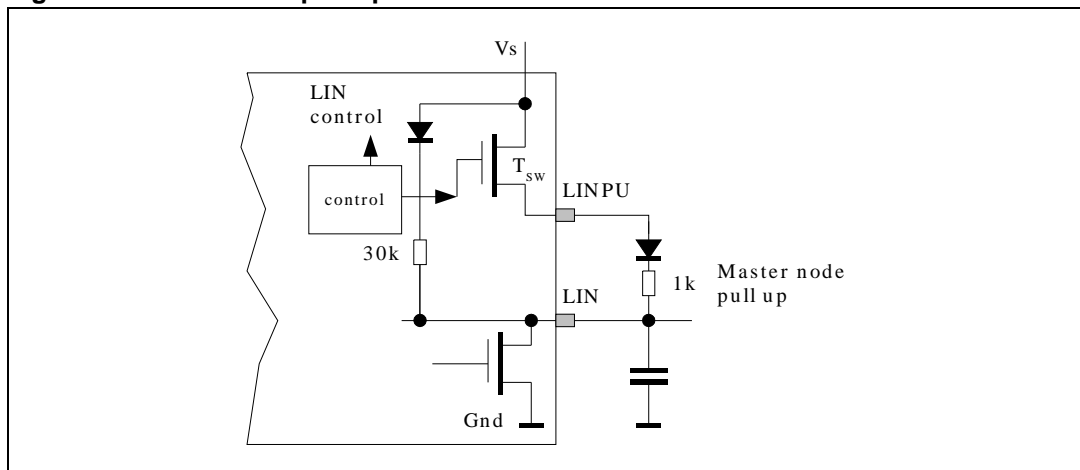
The inputs PWM 1,2 can be used to control the output drivers Out1..4 and OUT_HS with a PWM signal. Each PWM input can be mapped individually to each of the above listed outputs according to the SPI settings.

2.15 Operational amplifiers

The operational amplifiers are especially designed to be used for sensing and amplifying the voltage drop across ground connected shunt resistors. Therefore the input common mode range includes - 0.2 ... 3V.

The operational amplifiers are designed for GND + 3V... GND – 0.2V input voltage swing and rail-to-rail output voltage range. All Pins (positive, negative and outputs) are available to be able to operate in non-inverting and inverting mode. Both operational amplifiers are on-chip compensated for stability over the whole operating range within the defined load impedance.

Figure 7. Lin master pull up



A dedicated built-in switch “Tsw” enables the LIN to act as a master. (see chapter 2.18)

2.16 LIN bus interface

General requirements:

- Speed communication up to 20kbit/s
- LIN 2.0 compliant (SAEJ2602 compatible) transceiver
- Function range from +40V to -18V DC at LIN Pin
- GND disconnection fail safe at module level
- Off mode: does not disturb network
- GND shift operation at system level
- Microcontroller Interface with CMOS compatible I/O pins.
- Pull up resistor internal.
- ESD: immunity against automotive transients per ISO7637 specification (see application note)
- Matched output slopes and propagation delay

In order to further reduce the current consumption in standby mode, the integrated LIN bus interface offers an ultra low current consumption.

2.17 Error handling

The L9952GXP provides the following 3 error handling features which are not described in the LIN Spec. V2.1, but are realized in different stand alone LIN transceivers / micro controllers to switch the application back to normal operation mode.

2.17.1 Dominant TxD time out

If TXI is in dominant state (low) for more than 12ms (typ) the transmitter will be disabled until TXI becomes recessive (high). This feature can be disabled via SPI.

2.17.2 Short to battery time out

If TXI changes to dominant (low) state but RXI signal does not follow within 40 μ s, the transmitter will be disabled until TXI becomes recessive (high).

2.17.3 Short to ground mode

A wake up caused by a message on the bus will start the voltage regulator and the micro controller to switch the application back to normal operation mode.

2.18 Wake up (from LIN)

In standby mode the L9952GXP can receive a wake up from LIN bus. For the wake up feature the L9952GXP logic differentiates two different conditions.

2.18.1 Normal wake up

Normal wake up can occur when the LIN transceiver was set in standby mode while LIN was in recessive (high) state. A dominant level at LIN for at least 40 μ s, will switch the L9952GXP to active mode.

2.18.2 Wake up from short to GND condition

If the LIN transceiver was set in standby mode while LIN was in dominant (low) state, recessive level at LIN for at least 40 μ s, will switch the L9952GXP to active mode.

2.18.3 RxD pin in V1 standby

In V1 standby condition the RxD is a tristate pin.

2.19 LINPU

The LINPU (LIN pull up) signal is set by L9952GXP logic in order to drive the LIN transceiver in master mode. The master mode is realized by an internal high side switch and an external diode in series with an external 1k resistor. In master mode the high side switch is closed causing an external pull up path in parallel to the internal one (diode & 30k resistor).

HS (high side) characteristics:

- HS does not have an over current protection.
- The HS remains active in standby mode.
- Switch off only in case of over temperature (TSD2 = thermal shutdown #2).
- Typical R_{DSon} , 10 Ω .

The Linpu is activated by default (LIN master mode) and can be switched off with a SPI command (see register 2) to reduce current in case of LIN shorted to ground.

2.20 Serial Peripheral Interface (SPI)

A 24 bit SPI command (2 addresses + 22 data bits) is used for bi-directional communication with the micro controller.

During active mode, the SPI:

- 1) triggers the watchdog
- 2) controls the modes and status of all L9952GXP modules (incl. input and output drivers)
- 3) provides driver output diagnostic
- 4) provide L9952 diagnostic (incl. over temperature warning, L9952GXP operation status)

Note: During stand-by modes, the SPI is generally deactivated.

The SPI can be driven by a micro controller with its SPI peripheral running in following mode:

CPOL=0 and CPHA=0.

For this mode input data is sampled by the low to high transition of the clock CLK, and output data is changed from the high to low transition of CLK.

This device is not limited to micro controller with a build-in SPI. Only three CMOS-compatible output pins and one input pin will be needed to communicate with the device. A fault condition can be detected by setting CSN to low. If CSN = 0, the DO-pin will reflect the global error flag (fault condition) of the device which is a logical "OR" of all over current, Vs-over / under voltage, temperature warning/shutdown and V1 Fail bits. The micro controller can poll the status of the device without the need of a full SPI-communication cycle.

2.20.1 Chip Select Not (CSN)

The input pin is used to select the serial interface of this device. When CSN is high, the output pin (DO) will be in high impedance state. A low signal activates the output driver and a serial communication can be started. The state during CSN = 0 is called a communication frame.

2.20.2 Serial Data In (DI)

The input pin is used to transfer data serial into the device. The data applied to the DI will be sampled at the rising edge of the CLK signal and shifted into an internal 24 bit shift register. At the rising edge of the CSN signal the contents of the shift register will be transferred to Data Input Register. The writing to the selected Data Input Register is only enabled if exactly 24 bits are transmitted within one communication frame (i.e. CSN low). If more or less clock pulses are counted within one frame the complete frame will be ignored. This safety function is implemented to avoid an activation of the output stages by a wrong communication frame.

Note: Due to this safety functionality a daisy chaining of SPI is not possible. Instead, a parallel operation of the SPI bus by controlling the CSN signal of the connected IC's is recommended.

2.20.3 Serial Data Out (DO)

The data output driver is activated by a logical low level at the CSN input and will go from high impedance to a low or high level depending on the global error flag (fault condition). The first rising edge of the CLK input after a high to low transition of the CSN pin will transfer the content of the selected status register into the data out shift register. Each subsequent falling edge of the CLK will shift the next bit out.

2.20.4 Serial Clock (CLK)

The CLK input is used to synchronize the input and output serial bit streams. The data input (DI) is sampled at the rising edge of the CLK and the data output (DO) will change with the falling edge of the CLK signal. The SPI can be driven with a CLK frequency up to 1MHz.

2.20.5 Data registers

The device has 3 Control registers and 2 Status registers. The first two bits (D22+D23) at the DI-Input are used to select one of the Control registers. All bits are first shifted into an input shift register. After the rising edge of CSN the contents of the input shift register will be written to the selected Control register only if a frame of exact 24 bits is detected. If the Control register 1 is selected for data transfer, the Status register 1 will be transferred to the DO during the current communication frame. For the selection of Control register 0 or Control register 2, the Status register 0 is transferred to DO.

3 Protection and diagnosis

3.1 Power supply fail

Over and under-voltage detection on V_s .

3.1.1 Over voltage

If the supply voltage V_s reaches the over voltage threshold (V_{SOV})

- The outputs HS1..4, OUT_HS, Rel1,2, and LIN are switched to high impedance state (load protection)
- The over voltage bit is set and can be cleared with the clear bit (CR1,CLR)
- Automatic recovery after V_s over-voltage; selectable via SPI (CR2, bit4)

3.1.2 Under voltage

If the supply voltage V_s drops below the under voltage threshold voltage (V_{SUUV})

- The outputs HS1..4, OUTHS, Rel1,2, and LIN are switched to high impedance state (load protection)
- The under voltage bit is set
- Automatic recovery after V_s under-voltage; selectable via SPI (CR2, bit4)

3.2 Temperature warning and thermal shutdown

See state chart: " Protection and diagnosis".

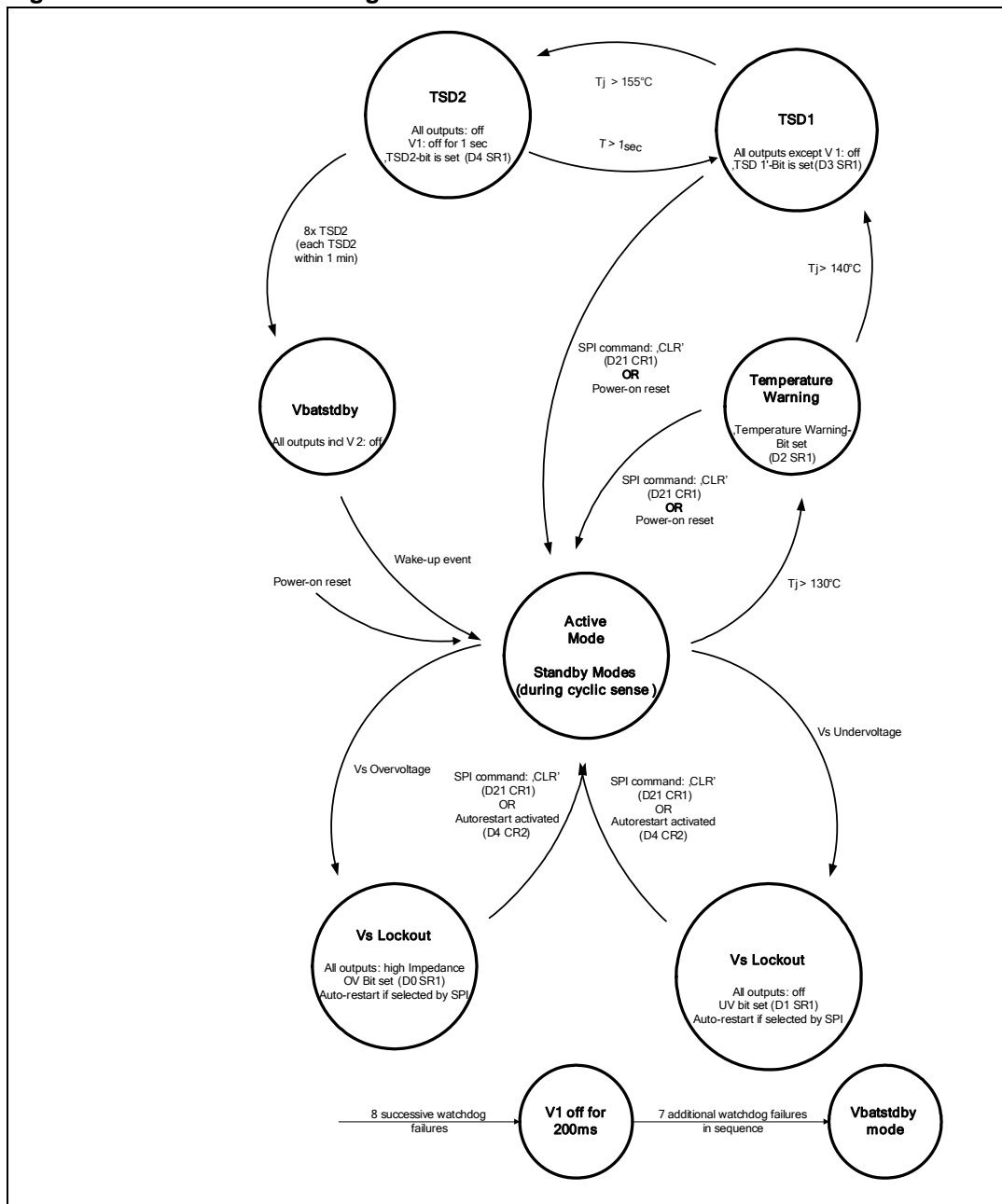
3.3 SPI diagnosis

Digital diagnosis features are provided by SPI:

- V1 reset threshold programmable
- Over temperature including pre warning
- Open load separately for each output stage
- Overload status
- V_s -supply over/under voltage
- V1 and V2 fail bit
- Status of the WU1...4, LIN and INH pin
- Cold start bit
- Number of unsuccessful V1 restarts after thermal shutdown
- Number of sequential watchdog failures
- Status of watchdog trigger bit TRIG: (SR1, Bit 16)
- LIN status (short to ground, short to V_{BAT} , dominant TxD)

See the following state chart: "Protection and diagnosis".

Figure 8. Protection and diagnosis



3.4 High side driver outputs

The component provides a total of 4 high side outputs Out1...4, ($7\ \Omega$ typ. @ 25C) to drive e.g. LED' s or hall sensors and 1 high side output OUT_HS with $1\ \Omega$ typ. @ 25 C).

The high side outputs are protected against

- Over- and under voltage
- Overload (short circuit)
- Over temperature with pre warning

If the output current exceeds the current shutdown threshold the output transistor is turned off and the corresponding diagnosis bit of the output is set.

The switches are automatically disabled in case of reset condition, Vs-under, Vs-over voltage or thermal shutdown (TSD1&2).

For OUT_HS an auto recovery feature is available in active mode.

If the OUT_HS output current exceeds the current shutdown threshold, the output transistor is turned off and the corresponding diagnosis bit of the output is set.

Via SPI command the auto recovery feature can be enabled in order to restart the driver in case of over current shutdown. This over current recovery feature is intended for loads which have an initial current higher than the over current limit of the output (e.g. Inrush current of cold light bulbs).

The device itself can not distinguish between a real overload and a non linear load like a light bulb. A real overload condition can only be qualified by time. As an example, the micro controller can switch on light bulbs by setting the over current recovery bit for the first 50ms. After clearing the recovery bit, the output will be automatically disabled if the overload condition still exists.

The status of all high side outputs (over-current, open load) can be monitored by SPI interface.

In case of a watchdog failure, the high side drivers are switched off. The control bits are not cleared, i.e. the drivers will go to the previous state once the watchdog failure condition disappears.

ESD structures are configured for nominal currents only. If external loads are connected to different grounds, the current load must be limited to this nominal current.

Note: Loss of ground or ground shift with externally grounded loads.

3.5 Low side driver outputs Rel1, Rel2

The outputs provide an active output zener clamping feature for the demagnetisation of the relay coil, even though a load dump condition exists. For safety reasons the relay drivers are linked with the Watchdog: in case of failure, or missing trigger signal the relay drivers will switch off.

4 Absolute maximum ratings

Table 5. Absolute maximum ratings

Symbol	Parameter	Value	Unit
V_S	DC supply voltage / "jump start"	-0.3 to +28	V
	Single pulse / $t_{max} < 400$ ms "transient load dump"	-0.3 to +40	V
V_1	Stabilized supply voltage, logic supply	-0.3 to +5.25	V
V_2	Stabilized supply voltage	-0.3 to +28	V
V_{DI} , V_{CLK} V_{TXD} , V_{CSN} V_{DO} , V_{RXD} V_{NRESET} , V_{FSO} $V_{DIGOUT3,4}$	Logic input / output voltage range	-0.3 to $V_1+0.3$	V
V_{INH} V_{PWM1} , V_{PWM2} , V_{REL1} , V_{REL2} ,	Wake up input voltage range PWM input voltage range Low side output voltage range	-0.3 to +40	V
$V_{OUT1..4}$, V_{OUTH}	High side output voltage range	-0.3 to $V_S + 0.3$	V
$V_{WU1...4}$,	Wake up input voltage range	-0.3 to $V_S + 0.3$	V
V_{OP1+} , V_{OP1-} , V_{OP2+} , V_{OP2-} ,	Opamp1 input voltage range Opamp2 input voltage range	-0.3 to $V_1 + 0.3$	V
V_{OPOUT1} , V_{OPOUT2}	Analog Output voltage range	-0.3 to $V_S + 0.3$	V
V_{LIN} , V_{LINPU}	LIN bus I/O voltage range	-20 to +40	V
I_{Input}	Current injection into V_S related input pins	5	mA

Note: All maximum ratings are absolute ratings. Leaving the limitation of any of these values may cause an irreversible damage of the integrated circuit !

5 ESD protection

Table 6. ESD protection

Parameter	Value	Unit
All pins, except LIN ⁽¹⁾	+/- 2	kV
All output pins ⁽²⁾	+/- 4	kV
LIN ⁽³⁾	+/- 1.5	kV
LIN ⁽⁴⁾	+/- 8	kV
All pins (charge device model)	+/- 500	V
Corner pins (charge device model)	+/- 750	V
All pins ⁽⁵⁾	+/- 200	V

1. HBM (human body model, 100pF, 1.5 k Ω) according to MIL 883C, Method 3015.7 or EIA/JESD22A114-A
2. HBM with all none zapped pins grounded
3. Without external components
4. Acc. DIN EN61000-4-2 (330 Ω , 150pF), with external components:
 - Diode, type ESDLIN1524BJ
 - SMD Ferrite bead, type TDKMMZ2012Y202B
 - Capacitor C=220pF
 For detailed information please see EMC report from IBEE Zwickau (available on request)
5. Acc. Machine Model: C=220pF; L=0.75 μ H; R=10 Ω

6 Thermal data

6.1 Operating junction temperature

Table 7. Operating junction temperature

Item	Symbol	Parameter	Value	Unit
6.1.1	T_j	Operating junction temperature	- 40 to 150	°C
6.1.2	RthjA	Thermal resistance junction- ambient	See Figure 10 .	°C/W

6.2 Temperature warning and thermal shutdown

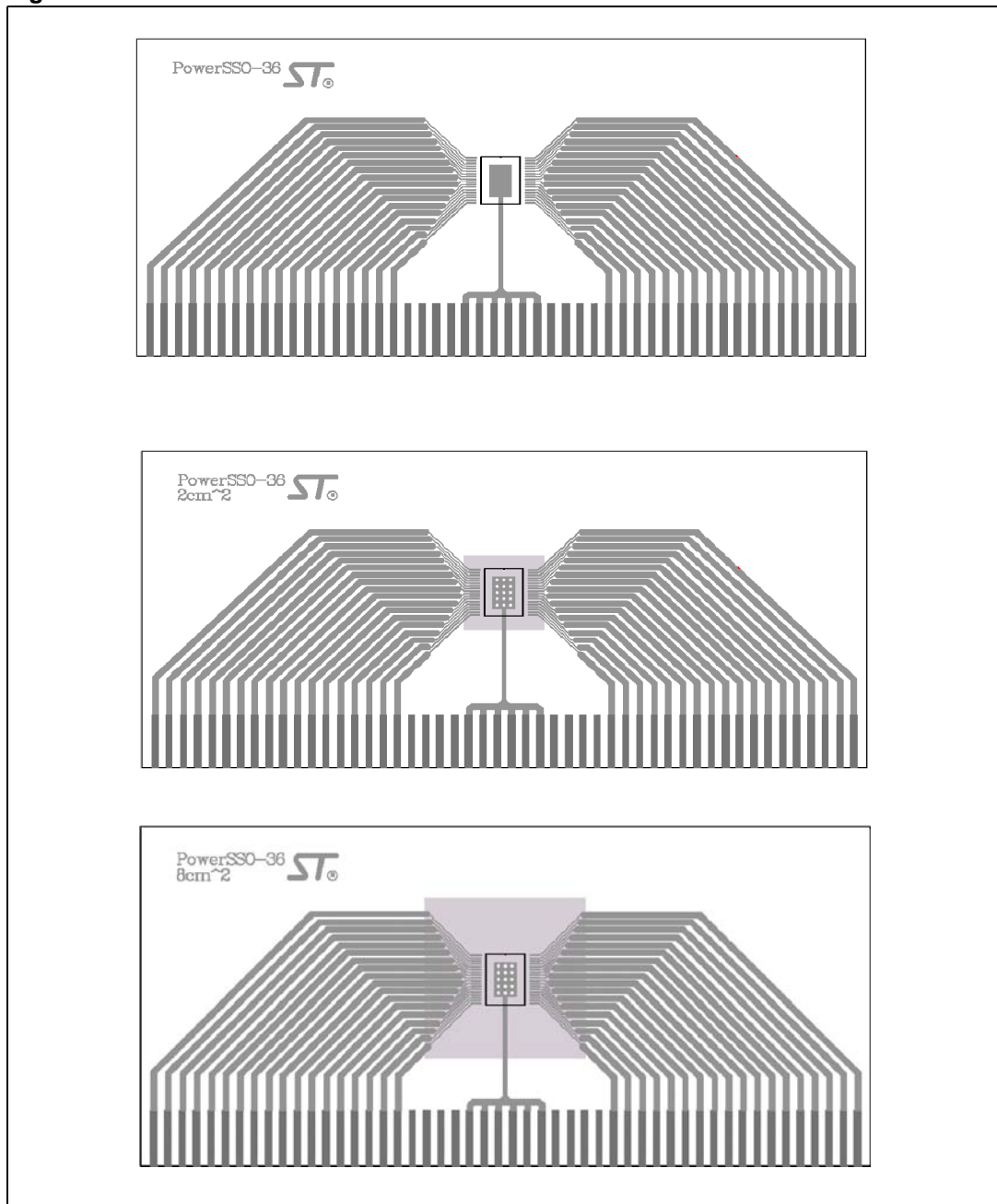
Table 8. Temperature warning and thermal shutdown

Item	Symbol	Parameter	Min.	Typ.	Max.	Unit		
6.2.1	$T_{W\ ON}$	Thermal over temperature warning threshold		$T_j^{(1)}$	120	130	140	°C
6.2.2	$T_{SD1\ OFF}$	Thermal shutdown junction temperature 1		$T_j^{(1)}$	130	140	150	°C
6.2.3	$T_{SD2\ OFF}$	Thermal shutdown junction temperature 2		$T_j^{(1)}$	140	155	170	°C
6.2.4	$T_{SD2\ ON}$		Hysteresis		5		°C	
6.2.5	$T_{SD12\ hys}$							

1. Non-overlapping

6.3 Package and PCB thermal data

Figure 9. PowerSSO-36 PC board



Note: Layout condition of R_{th} and Z_{th} measurements (board finish thickness 1.6 mm +/- 10% board double layer, board dimension 129x60, board Material FR4, Cu thickness 0.070mm (front and back side), thermal vias separation 1.2 mm, thermal via diameter 0.3 mm +/- 0.08 mm, Cu thickness on vias 0.025 mm).

Figure 10. PowerSSO-36 thermal resistance junction ambient Vs. PCB copper area (V1 ON)

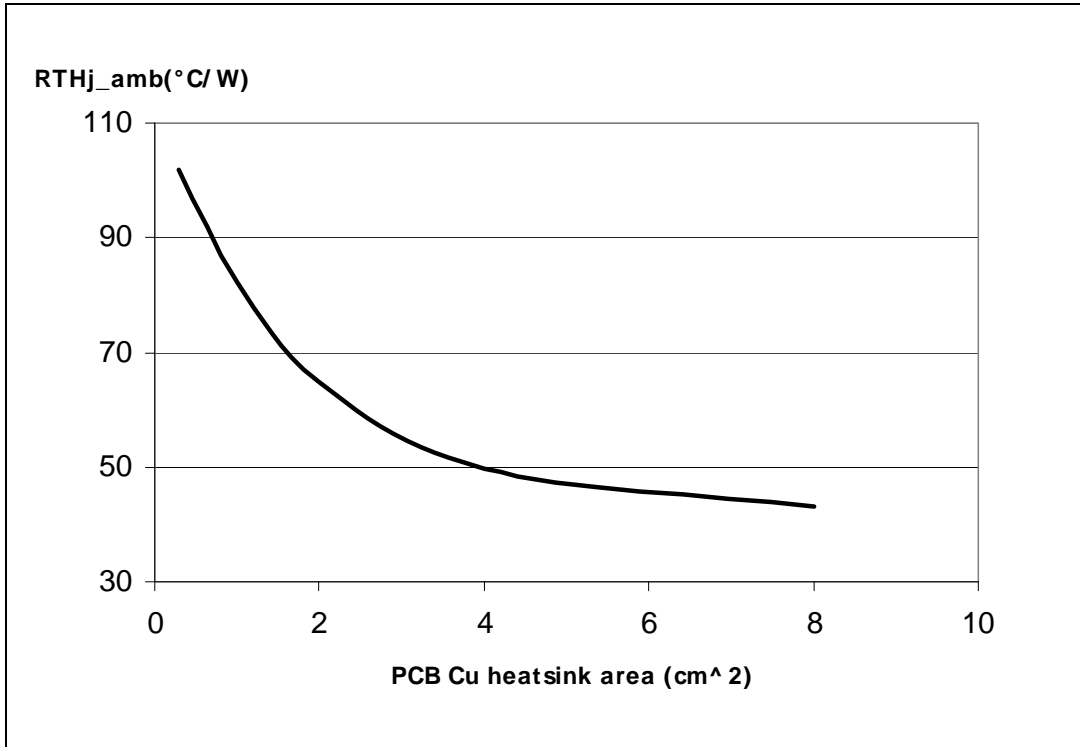
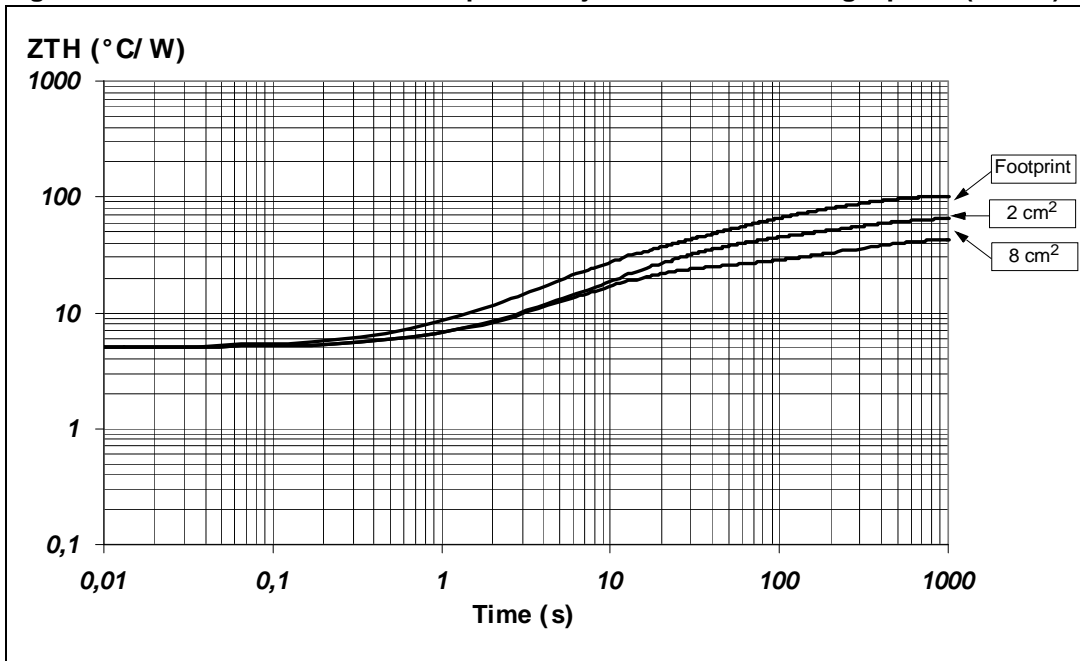


Figure 11. PowerSSO-36 thermal impedance junction ambient single pulse (V1 ON)



Equation 1: pulse calculation formula

$$Z_{TH\delta} = R_{TH} \cdot \delta + Z_{THtp}(1 - \delta)$$

where $\delta = t_p/T$

Figure 12. PowerSSO-36 thermal fitting model (V1 ON)

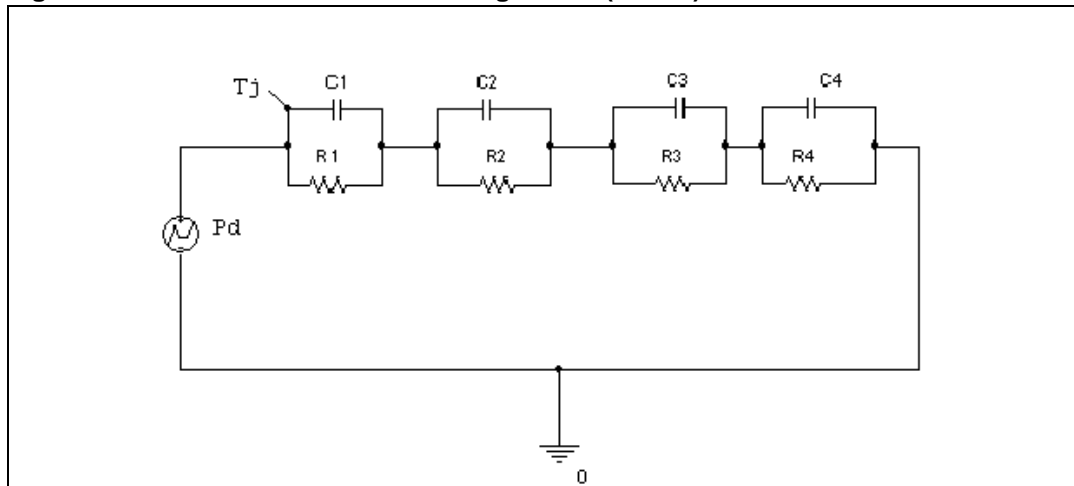


Table 9. Thermal parameters

Area/island (cm ²)	Footprint	2	8
R1 (°C/W)	5		
R2 (°C/W)	18	10	10
R3 (°C/W)	29	22	7,8
R4 (°C/W)	51	29	21
C1 (W.s/°C)	0,0003		
C2 (W.s/°C)	0,35	1	1
C3 (W.s/°C)	1,5	1,3	1,3
C4 (W.s/°C)	5	15	15

7 Electrical characteristics

7.1 Supply and supply monitoring

The voltages are referred to ground and currents are assumed positive, when the current flows into the pin. $6V \leq V_S \leq 18V$; $4.8V \leq V1 \leq 5.2V$; all outputs open; $T_j = -40^\circ\text{C} \dots 130^\circ\text{C}$, unless otherwise specified.

Table 10. Supply and supply monitoring

Item	Symbol	Parameter	Test condition	Min.	Typ.	Max.	Unit
7.1.1	V_S	Supply voltage range		6	13.5	18	V
7.1.2	V_{SUV}	VS UV-threshold voltage	V_S increasing / decreasing	5.11		5.81	V
7.1.3	V_{hyst_UV}	Undervoltage hysteresis		0.04	0.1	0.15	V
7.1.4	V_{SOV}	VS OV-threshold voltage	V_S increasing / decreasing	18		22	V
7.1.5	V_{hyst_OV}	Overvoltage hysteresis	Hysteresis	0.5	1	1.5	V
7.1.6	$I_{V(act)}$	Current consumption in active mode	$V_S=12V$, TxD LIN high, V2 on, Outputs off $I_{V1}=I_{V2}=0A$		2.7	20	mA
7.1.7	$I_{V(BAT)}$	Current consumption in V_{BAT} - standby mode	$V_S=12V$, both voltage regulators deactivated, no wake-up request	1	7	10	μA
7.1.8	$I_{V(BAT)CS}$	Current consumption in V_{BAT} - standby mode	$V_S=12V$, both voltage regulators deactivated, (cyclic sense)	40	75	100	μA
7.1.9	$I_{V(V1)}$	Current consumption in V_1 -standby mode	$V1=5V$, $V_S=12V$, Voltage regulator V1 active, without cyclic sense, no wake-up request	10	45	70	μA
7.1.10	$I_{V(BATWU)}$	Current consumption in V_{BAT} -standby mode with a pending wake up request	$1.5V < V_{WU} < (V_S - 3V)$		220	320	μA
7.1.11	$I_{V(V1WU)}$	Current consumption in V_1 - standby mode with a pending wake up request	$1.5V < V_{WU} < (V_S - 3V)$		300	410	μA

7.2 Oscillator

$6V \leq V_S \leq 18V$; all outputs open; $T_j = -40^\circ\text{C} \dots 130^\circ\text{C}$, unless otherwise specified.

Table 11. Oscillator

Item	Symbol	Parameter	Test condition	Min.	Typ.	Max.	Unit
7.2.1	F_{CLK}	Oscillation frequency	$V_S = 6V \dots 18V$	0.808	1.01	1.35	MHz

7.3 Power-on reset (Vs)

All outputs open; $T_j = -40^\circ\text{C} \dots 130^\circ\text{C}$, unless otherwise specified.

Table 12. Power-on Reset (Vs)

Item	Symbol	Parameter	Test condition	Min.	Typ.	Max.	Unit
7.3.1	$V_{\text{THUP_POR}}$	V_{POR} threshold		2.8	3.45	4.1	V
7.3.2	$V_{\text{Hys_POR}}$	Hysteresis			200		mV

7.4 Voltage regulator V1

The voltages are referred to ground and currents are assumed positive, when the current flows into the pin. $5.25V \leq V_S \leq 27V$; $T_j = -40^\circ\text{C} \dots 130^\circ\text{C}$, unless otherwise specified.

Table 13. Voltage regulator V1

Item	Symbol	Parameter	Test condition	Min.	Typ.	Max.	Unit
7.4.1	V1	Output voltage			5.0		V
7.4.2	V1	Output voltage tolerance Active mode	$I_{\text{LOAD}} = 1\text{mA} \dots 100\text{mA}$, $V_S = 13.5V$			+/- 2	%
7.4.3	Vhc1	Output voltage tolerance Active mode, high current	$I_{\text{LOAD}} = 100\text{mA} \dots 250\text{mA}$, $V_S = 13.5V$			+/- 3	%
			$I_{\text{LOAD}} = 250\text{mA}$ $V_S = 13.5V$, $T_j > 80^\circ\text{C}$			+/- 4	%
7.4.4	VSTB1	Output voltage tolerance in low current mode	$0\text{mA} \leq I_{\text{LOAD}} \leq I_{\text{CMP}}$ $V_S = 13.5V$			+/- 4	%
7.4.5	VDP1	Drop-out voltage in undervoltage conditions	$I_{\text{LOAD}} = 50\text{mA}$, $V_S = 4.5V$		0.2	0.4	V
			$I_{\text{LOAD}} = 100\text{mA}$, $V_S = 4.5V$		0.3	0.5	V
7.4.6	ICC1	Output current in active mode	Max. continuous load current			250	mA
7.4.7	ICCmax1	Short circuit output current	Current limitation	400	600	950	mA

Table 13. Voltage regulator V1 (continued)

Item	Symbol	Parameter	Test condition	Min.	Typ.	Max.	Unit
7.4.8	Cload1	Load capacitor1	Ceramic ⁽¹⁾	0.22			μF
7.4.9	tTSD	V1 deactivation time after thermal shutdown			1		s
7.4.10	I _{CMP_ris}	Current comp. rising threshold	Rising current	0.9	2.5	4	mA
7.4.11	I _{CMP_fal}	Current comp. falling threshold	Falling current T _j = -40°C...130°C T _j = 25°C...130°C	0.75 0.85	1.95 1.95		mA
7.4.12	I _{CMP_hys}	Current comp. hysteresis			0.5		mA
7.4.13	V1fail	V1 fail threshold	V1 forced		2		V

1. Placement close to the PAD

7.5 Voltage regulator V2

The voltages are referred to ground and currents are assumed positive, when the current flows into the pin. $5.25V \leq V_S \leq 27V$; T_j = -40°C...130°C, unless otherwise specified.

Table 14. Voltage regulator V2

Item	Symbol	Parameter	Test condition	Min.	Typ.	Max.	Unit
7.5.1	V ₂	Output voltage			5.0		V
7.5.2	V ₂	Output voltage tolerance Active mode	I _{LOAD} = 1mA ... 50mA, V _S = 13.5V			+/- 3	%
7.5.3	V _{hc1}	Output voltage tolerance Active mode, high current	I _{LOAD} = 50mA ... 100mA, V _S = 13,5V			+/- 4	%
7.5.4	V _{STB2}	Output voltage tolerance in low current mode	I _{LOAD} = 0uA ...1mA V _S = 13,5V			+/- 5	%
7.5.5	V _{DP2}	Drop-out voltage	I _{LOAD} = 25mA, V _S = 5 V I _{LOAD} = 50mA, V _S = 5 V		0,3	0,4	V
					0.4	0.7	V
7.5.6	I _{CC2}	Output current in Active mode	Max. continuous load current			100	mA
7.5.7	I _{CCmax2}	Short circuit output current	Current limitation	200	300	500	mA
7.5.8	C _{load}	Load capacitor	Ceramic ⁽¹⁾	0.22			μF
7.5.9	V _{2fail}	V2 fail threshold	V2 forced			2	V

1. Placement close to the PAD

7.6 Reset generator (V1 supervision)

The voltages are referred to GND and currents are assumed positive, when the current flows into the pin. $5.25V < V_S = 18V$; $T_j = -40$ to 130 °C, unless otherwise specified.

Table 15. Reset generator

Item	Symbol	Parameter	Test condition	Min.	Typ.	Max.	Unit
7.6.1	V_{RT1}	Reset threshold voltage1	V_S, V_{V1} inc. / decreasing	4.5	4.63	4.75	V
7.6.2	V_{RT2}	Reset threshold voltage2	V_S, V_{V1} inc. / decreasing	4.25	4.37	4.5	V
7.6.3	V_{RESET}	Reset pin low output voltage	$V1 > 1V$, $I_{RESET} = 1mA$		0,2	0,4	V
7.6.4	R_{RESET}	Reset pull up int. resistor		60	110	204	k Ω
7.6.5	t_{RR}	Reset reaction time	@Iload = 1mA	6		40	μs
7.6.6		V1 under-voltage filter time			16		μs

7.7 Watchdog

$6V < V_S < 18V$; $4.8V < V1 < 5.2V$; $T_j = -40$ to 130 °C, unless otherwise specified

Table 16. Watchdog ⁽¹⁾

Item	Symbol	Parameter	Test condition	Min.	Typ.	Max.	Unit
7.7.1	t_{LW}	Long open window		48,75	65	81,25	ms
7.7.2	t_{CW}	Closed window		4.5	6	7.5	ms
7.7.3	t_{OW}	Open window		7.5	10	12.5	ms
7.7.4	t_{WDR}	Watchdog reset pulse time		1.5	2	2.5	ms

1. See [Figure 13](#).

Figure 13. Watchdog timing

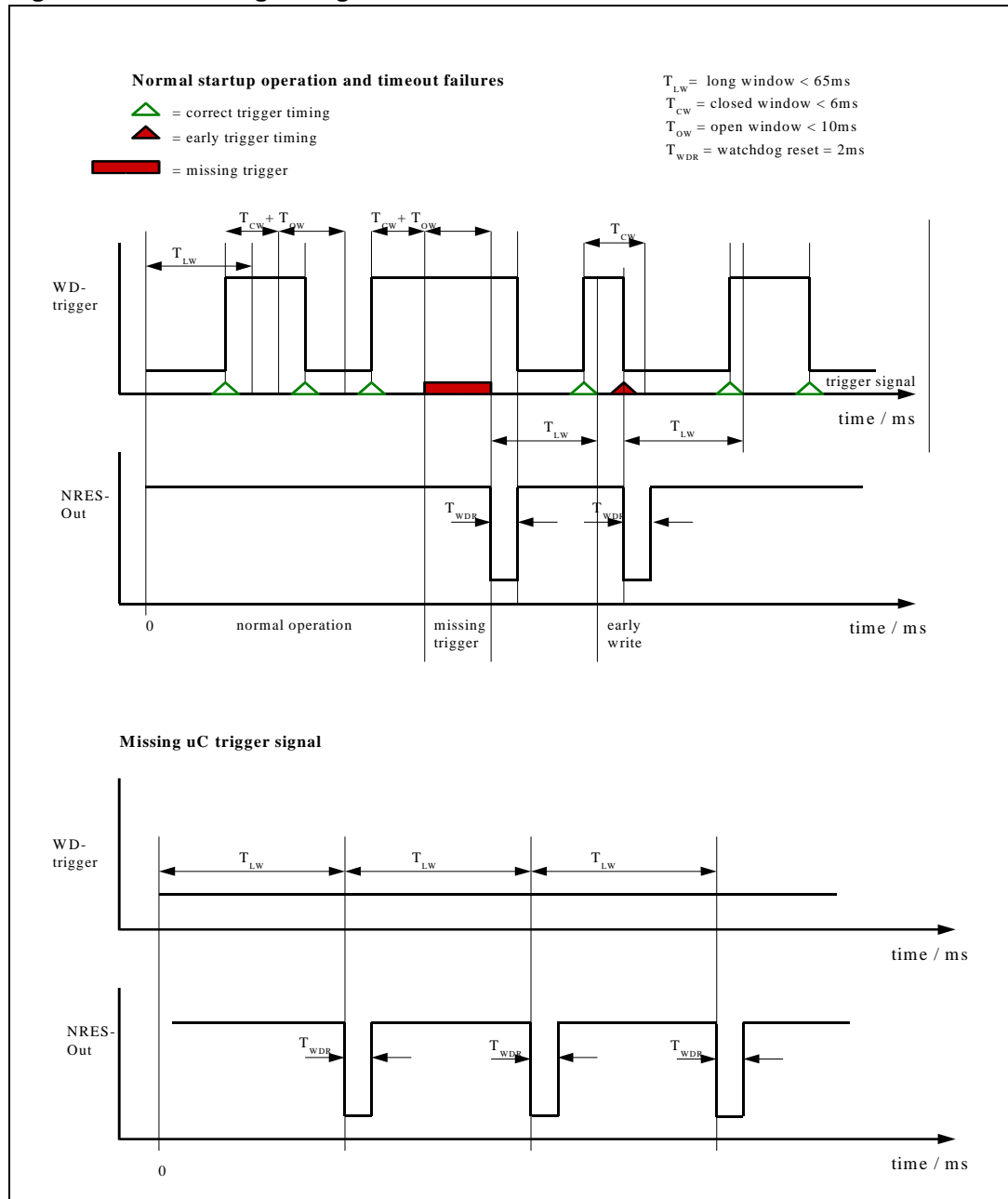
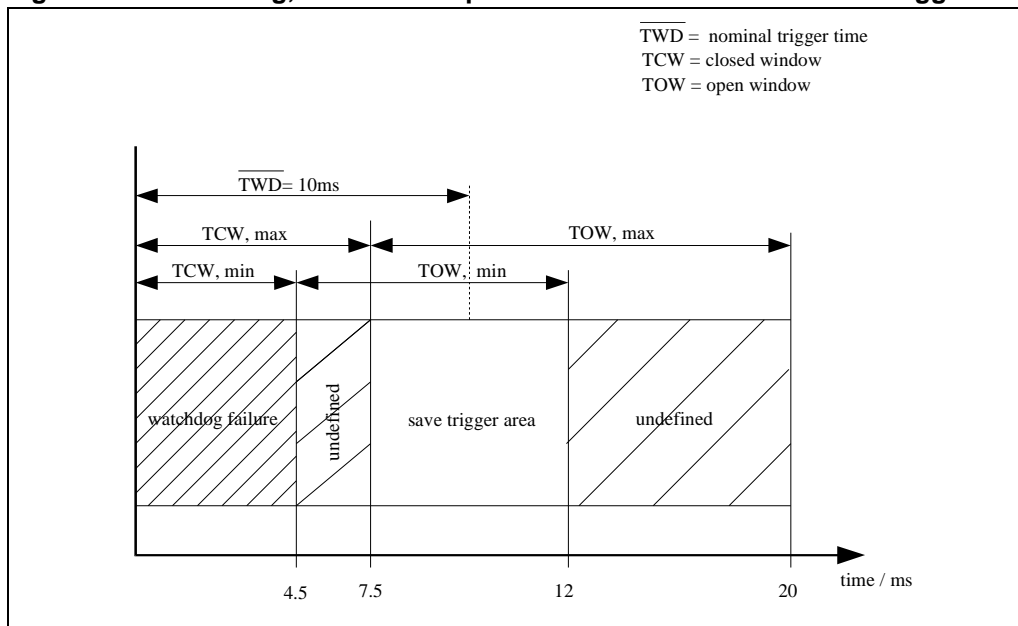


Figure 14. Watchdog, closed and open window tolerances and save trigger area



7.8 High side outputs

7.8.1 Output (Out_HS)

The voltages are referred to gnd and currents are assumed positive, when the current flows into the pin. $6V \leq V_S \leq 18V$; $4.8V \leq V1 \leq 5.2V$; $T_j = -40^\circ C \dots 130^\circ C$, unless otherwise specified.

Table 17. High side outputs (Out_HS)

Item	Symbol	Parameter	Test condition	Min.	Typ.	Max.	Unit
7.8.1	R _{DSON} OUT_HS	Static Drain Source On-resistance to supply (IOUT_HS=150mA)	T _j = 25°C	0	1.0	1.5	Ω
			T _j = 125°C	0	1.6	3	Ω
7.8.2	td _{ONHS}	Switch on delay time	0.2 VS	10	35	60	μs
7.8.3	td _{OFFHS}	Switch off delay time	0.8VS	40	95	150	μs
7.8.4	td _{SDHS}	Short circuit filter time	Tested by scan chain		64* T _{OSC}		
7.8.5	td _{ARHS}	Auto recovery filter time	Tested by scan chain		400* T _{OSC}		
7.8.6	dVout/dt	Slew rate		0.2	0.5	0.8	V/μs
7.8.7	I _{OSDHS}	Short circuit shutdown current		480	900	1320	mA
7.8.8	I _{OLD}	Open load detection current		40	80	120	mA

7.8.2 Outputs (OUT1...4)

The voltages are referred to GND and currents are assumed positive, when the current flows into the pin. $6V \leq V_S \leq 18V$; $4.8V \leq V_1 \leq 5.2V$; $T_j = -40^\circ\text{C} \dots 130^\circ\text{C}$, unless otherwise specified.

Table 18. High side outputs (OUT 1..4)

Item	Symbol	Parameter	Test condition	Min.	Typ.	Max.	Unit
7.8.11	$R_{\text{DS(on)}}$	On – resistance	$I_{\text{LOAD}} = 60\text{mA} @ T_j = +25^\circ\text{C}$	0	7	12	Ω
7.8.12	I_{OUT}	Short circuit shutdown current	$8V < V_S < 16V$	140	235	330	mA
7.8.13	I_{OLD1}	Open load detection current 1	Selectable via SPI	0.8	2	4	mA
7.8.14	I_{OLD2}	Open load detection current 2		6	8	13	mA
7.8.15	SR	Slew rate		0.2	0.5	0.8	V/ μs
7.8.16	t_{dONHS}	Switch ON delay time	$0.2 V_S$	10	35	60	μs
7.8.17	t_{dOFFHS}	Switch OFF delay time	$0.8 V_S$	40	95	150	μs
7.8.18	t_{SCF}	Short circuit filter time	Tested by scan chain		64* T_{OSC}		
7.8.19	$I_{\text{FW}}^{(1)}$	Loss of GND current (ESD structure)		100			mA

1. Parameter guaranteed by design

7.9 Relay drivers

The voltages are referred to GND and currents are assumed positive, when the current flows into the pin. $6V \leq V_S \leq 18V$; $4.8V \leq V_1 \leq 5.2V$; $T_j = -40$ to 130°C , unless otherwise specified.

Table 19. Relay drivers

Item	Symbol	Parameter	Test condition	Min.	Typ.	Max.	Unit
7.9.1	$R_{\text{DS(on)}}$	DC output resistance	$I_{\text{LOAD}} = 100\text{mA} @ T_j = +25^\circ\text{C}$	0	2	3	Ω
7.9.2	I_{OUT}	Short circuit shutdown current	$8V < V_S < 16V$	250	375	500	mA
7.9.3	V_Z	Output clamp voltage ⁽¹⁾	$I_{\text{LOAD}} = 100\text{mA}$	40		48	V
7.9.4	t_{ONHL}	Turn on delay time to 10% V_{OUT}		5	50	100	μs
7.9.5	t_{OFFLH}	Turn off delay time to 90% V_{OUT}		5	50	100	μs

Table 19. Relay drivers (continued)

Item	Symbol	Parameter	Test condition	Min.	Typ.	Max.	Unit
7.9.6	t_{SCF}	Short circuit filter time	Tested by scan chain		64* T_{OSC}		
7.9.7	SR	Slew Rate		0.2	2	4	V/ μ s

1. The output is capable to switch off relay coils with the impedance of $R_L=160\Omega$; $L = 300mH$ ($R_L=220\Omega$; $L= 420mH$); at $V_S = 40V$ (Load dump condition)

7.10 Wake up inputs (WU1..WU4)

The voltages are referred to GND and currents are assumed positive, when the current flows into the pin. $6V \leq V_S \leq 18V$; $T_j = -40$ to 130 °C, unless otherwise specified.

Table 20. Wake up inputs⁽¹⁾(WU1...WU4)

Item	Symbol	Parameter	Test condition	Min.	Typ.	Max.	Unit
7.10.1	V_{WUthp}	Wake-up negative edge threshold voltage		0.4 Vs	0.45 Vs	0.5 Vs	V
7.10.2	V_{WUthn}	Wake-up positive edge threshold voltage		0.5 Vs	0.55 Vs	0.6 Vs	V
7.10.3	V_{HYST}	Hysteresis		0.05 Vs	0.1 Vs	0.15 Vs	V
7.10.4	t_{WU}	Minimum time for wake-up		51	64	77	μ s
7.10.5	I_{WU_stbby}	Input current in standby mode	$1.5V < V_{IN} < (V_S - 3V)$	10	20	30	μ A
7.10.6	R_{WU_act}	Input resistor to GND in active mode and in standby mode during wake-up request		100	275	450	k Ω
7.10.7	Nn	Number of samples	During OUT_HS on, cyclic sense mode (100us cyclic HS on time)	2 (at 80 μ s and 100 μ s)			
7.10.8	V_{wuthl}	Pending wake up request low threshold		1.0	1.25	1.5	V
7.10.9	V_{wuthh}	Pending wake up request high threshold		$V_S - 3$	$V_S - 2.2$	$V_S - 1.4$	V

1. Defines whether the inputs W1..4 are configured with current source or current sink in standby mode.

7.11 Wake up input (INH)

The voltages are referred to GND and currents are assumed positive, when the current flows into the pin. $6V \leq V_S \leq 18V$; $T_j = -40$ to 130 °C, unless otherwise specified.

Table 21. Wake up input (INH)

Item	Symbol	Parameter	Test condition	Min.	Typ.	Max.	Unit
7.11.1	I_{INHth}	Wake-up activate threshold current		30	75	120	μA
7.11.2	I_{INHUth}	Wake-up passive threshold current		30	70	120	μA
7.11.3	I_{INHhys}	Wake-up current hysteresis			10	20	μA
7.11.4	t_{WU}	Minimum time for wake-up		51	64	77	μs
7.11.5	Nn	Number of samples	During OUT_HS on, cyclic sense mode (100 μs cyclic HS on time)	2 (at 80 μs and 100 μs)			

7.12 LIN

Compatible to Lin 2.1 for Baud rates up to 20 kBit/s

The voltages are referred to GND and currents are assumed positive, when the current flows into the pin.

$6V \leq V_S \leq 18V$; $4.8V \leq V1 \leq 5.2V$; $T_j = -40$ °C... 130 °C, unless otherwise specified.

Table 22. LIN receiver

Item	Symbol	Parameter	Test condition	Min.	Typ.	Max.	Unit
LIN		LIN receiver					
7.12.1	V_{TXDLOW}	Input voltage dominant level	Normal mode, V1=5V	1	1.3		V
7.12.2	$V_{TXDHIGH}$	Input voltage recessive level	Normal mode, V1=5V		2.2	2.5	V
7.12.3	V_{TXDHYS}	$V_{TXDHIGH} - V_{TXDLOW}$	Normal mode, V1=5V	0.5	0.8		V
7.12.4	I_{TXDPU}	TXD pull up current	Normal and V1-standby mode , V1=5V	-5	-30	-60	μA
7.12.5	I_{TXDPD}	TXD pull-down current	V_{BAT} - standby mode, $V_{TXDHIGH}$ V1=5V	5	30	60	μA
7.12.6	V_{RXDLOW}	Output voltage dominant level	Normal mode, V1=5V, 2mA		0.2	1.5	V

Table 22. LIN receiver (continued)

Item	Symbol	Parameter	Test condition	Min.	Typ.	Max.	Unit
LIN		LIN receiver					
7.12.7	V _{RXDHIGH}	Output voltage recessive level	Normal mode, V ₁ =5V, 2mA	4.5			V
7.12.8	V _{THdom}	Receiver threshold voltage recessive to dominant state		0.4 V _S	0.45 V _S	0.5 V _S	V
7.12.9	V _{THrec}	Receiver threshold voltage dominant to recessive state		0.5 V _S	0.55 V _S	0.6 V _S	V
7.12.10	V _{THhys}	Receiver threshold hysteresis	V _{THrec} - V _{THdom}	0.07 V _S	0.1 V _S	0.175 V _S	V
7.12.11	V _{THcnt}	Receiver tolerance center value	(V _{THrec} + V _{THdom}) / 2	0.475 V _S	0.5 V _S	0.525 V _S	V
7.12.12	V _{THwkup}	Receiver wakeup threshold voltage		1.0	1.5	2	V
7.12.13	V _{THwkdown}	Receiver wakeup threshold voltage		3.5 V _S	2.5 V _S	1.5 V _S	V
7.12.14	T _{bus}	Dominant time for wakeup via bus	Sleep mode edge: rez.- dom.		64		μs

Table 23. LIN DC parameters

Item	Symbol	Parameter	Test condition	Min.	Typ.	Max.	Unit
LIN		DC parameters					
7.12.15	I _{LINDomSC}	Transmitter input current limit in dominant state	V _{TxD} = V _{TxDlow} V _{LIN} = V _{batmax} = 18V	40	100	180	mA
7.12.16	I _{bus_PAS_dom}	Input leakage current at the receiver incl. Pull-Up resistor	V _{TxD} = V _{TxDhigh} V _{LIN} = 0V, V _{BAT} = 12V, Slave mode	-1			mA
7.12.17	I _{bus_PAS_drec}	Transmitter input current in recessive state	V _{TxD} = V _{TxDhigh} 8V < V _{LIN} , V _{BAT} < 18V; V _{LIN} ≥ V _{BAT}			20	μA
7.12.18	I _{bus_NO_GND}	Input current if loss of GND at Device	GND = V _S , 0V < V _{LIN} < 18V V _{BAT} = 12V	-1		1	mA
7.12.19	I _{bus}	Input current if loss of Vbat at device	GND = V _S , 0V < V _{LIN} < 18V			100	μA

Table 24. LIN transmitter (continued)

Item	Symbol	Parameter	Test condition	Min.	Typ.	Max.	Unit
		LIN transmitter					
7.12.20	V_{LINdom}	LIN voltage level in dominant state	$V_{TXD} = V_{TXDlow}$ $I_{LIN} = 40mA$			1.2	V
7.12.21	V_{LINrec}	LIN voltage level in recessive state	$V_{TXD} = V_{TXDhigh}$ $I_{LIN} = 10\mu A$	0.8 Vs			V
7.12.22	R_{LINup}	LIN output pull up resistor	$V_{LIN} = 0V$	20	40	60	k Ω

Table 25. LIN timing

Item	Symbol	Parameter	Test condition	Min.	Typ.	Max.	Unit
		LIN timing					
7.12.24	t_{TXpd_sym}	Symmetry of transmitter propagation delay time (rising vs. falling edge)	$t_{TXpd_sym} = t_{TXpdr} - t_{TXpdf}$ $V_s = 12V,$ $R_{bus} C_{bus}: 1 k\Omega, 1 nF$	-2.5	-	2.5	μs
7.12.25	t_{RXpd}	Receiver propagation delay time	$t_{RXpd} = \max(t_{RXpdr} t_{RXpdf})$ $t_{RXpdf} = t(0.5RXD) - t(0.45 V_{Lin})$ $t_{RXpdr} = t(0.5RXD) - t(0.55 V_{Lin})$ $C_{rx} = 20pF$ $V_s = 12V,$ $R_{bus} C_{bus}: 1 k\Omega, 1 nF; 660 \Omega, 6.8 nF; 500 \Omega, 10 nF$		-	6	μs
7.12.26	t_{RXpd_sym}	Symmetry of receiver propagation delay time (rising vs. falling edge)	$t_{RXpd_sym} = t_{RXpdr} - t_{RXpdf}$	-2	-	2	μs

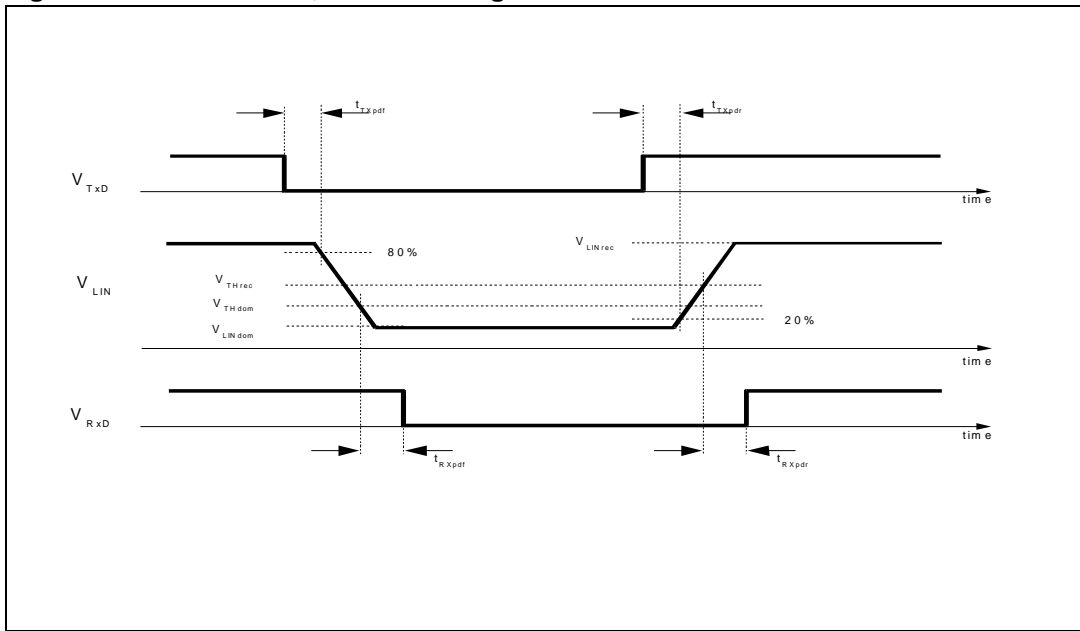
Table 25. LIN timing (continued)

Item	Symbol	Parameter	Test condition	Min.	Typ.	Max.	Unit
		LIN timing					
7.12.27	D1	Duty cycle 1	THRec(max)=0.744*Vs THDom(max)=0.581*Vs Vs= 7...18V, tbit= 50us, D1=tbus_rec(min)/(2xtbit) Rbus, Cbus: 1 kΩ, 1 nF; 660 Ω, 6.8 nF; 500 Ω, 10 nF	0.396	-		
7.12.28	D2	Duty cycle 2	THRec(min)=0.284*Vs; THDom(min)=0.422*Vs, Vs= 7.6 ...18V, tbit= 50μs, D1=tbus_rec(max)/(2xtbit) Rbus, Cbus: 1 kΩ, 1 nF; 660 Ω, 6.8 nF; 500 Ω, 10 nF		-	0.581	
7.12.29	D3	Duty cycle 3	THRec(max)=0.778*Vs; THDom(max)=0.616*V, Vs= 7...18V tbit= 96μs, D3=tbus_rec(min)/(2xtbit) Rbus, Cbus: 1 kΩ, 1 nF; 660 Ω, 6.8 nF; 500 Ω, 10 nF	0.417	-		
7.12.30	D4	Duty cycle 4	THRec(min)=0.251*Vs; THDom(min)=0.389*Vs, Vs= 7.6 ...18V, tbit= 96μs D1=tbus_rec(max)/(2xtbit) Rbus, Cbus: 1 kΩ, 1 nF; 660 Ω, 6.8 nF; 500 Ω, 10 nF		-	0.59	

Table 26. LIN DC values

Item	Symbol	Parameter	Test condition	Min.	Typ.	Max.	Unit
		DC values					
7.12.31	R _{DSon}	ON resistance			10.5	16	Ω
7.12.32	I _{leak}	Leakage current				1	μA

Figure 15. LIN transmit, receive timing



7.13 Operational amplifier

The voltages are referred to gnd and currents are assumed positive, when the current flows into the pin. $6V \leq V_S \leq 18V$; $T_j = -40...130^\circ\text{C}$, unless otherwise specified.

Table 27. Operational amplifier

Item	Symbol	Parameter	Test condition	Min.	Typ.	Max.	Unit
7.13.1	GBW	GBW product		1	3.5	7.0	MHz
7.13.2	AVOL _{DC}	DC open loop gain		80			dB
7.13.3	PSRR	Power supply rejection	DC, V _{in} =150 mV	80			dB
7.13.4	V _{off}	Input offset voltage		-5		+5	mV
7.13.5	V _{ICR}	Common mode input range		-0.2	0	3	V
7.13.6	V _{OH}	Output voltage range high	I _{load} = 1mA to Gnd	0.2 V _S		V _S	V
7.13.7	V _{OL}	Output voltage range low	I _{load} = 1mA to V _S	0		0.2	V
7.13.8	I _{lim+}	Output current limitation +	DC	5	10	20	mA
7.13.9	I _{lim-}	Output current limitation -	DC	-5	-10	-20	mA
7.13.10	SR+	Slew rate positive		1	4	10	V/μs
7.13.11	SR-	Slew rate negative		-1	-4	-10	V/μs

Note: The operational amplifier is on-chip stabilized for external capacitive loads $C_L \leq 25\text{pF}$ (all operating conditions)

7.14 SPI

7.14.1 Input: CSN

The voltages are referred to ground and currents are assumed positive, when the current flows into the pin. $6V \leq V_S \leq 18V$; $4.5V \leq V1 \leq 5.3V$; all outputs open; $T_j = -40^\circ\text{C} \dots 130^\circ\text{C}$, unless otherwise specified.

Table 28. SPI (Input CSN)

Item	Symbol	Parameter	Test condition	Min.	Typ.	Max.	Unit
7.14.1	V_{CSNLOW}	Input voltage low level	Active mode, $V1 = 5V$	0.5	1.0	1.6	V
7.14.2	V_{CSNHIGH}	Input voltage high level	Active mode, $V1=5V$	1	1.75	2.5	V
7.14.3	V_{CSNHYS}	$V_{\text{CSNHIGH}} - V_{\text{CSNLOW}}$	Active mode, $V1=5V$	0.5	1.0	1.5	V
7.14.4	I_{CSNPU}	CSN pull up current	Active mode and V1 Standby mode, $V1=5V$	-5	-30	-60	μA
7.14.5	I_{CSNPD}	CSN pull-down current	In V_{bat} standby mode	5	30	60	μA

7.14.2 Inputs: CLK, DI, PWM 1, PWM 2

The voltages are referred to ground and currents are assumed positive, when the current flows into the pin. $6V \leq V_S \leq 18V$; $4.5V \leq V1 \leq 5.3V$; all outputs open; $T_j = -40^\circ\text{C} \dots 130^\circ\text{C}$, unless otherwise specified.

Table 29. Inputs: CLK, DI, PWM 1, PWM 2

Item	Symbol	Parameter	Test condition	Min.	Typ.	Max.	Unit
7.14.6	t_{set}	Delay time from standby to active mode	Switching from standby to active mode. Time until output drivers are enabled after CSN going to high.		160	300	μs
7.14.7	$V_{\text{in L}}$	Input low level	$V1 = 5 V$	1.0	2.05	2.5	V
7.14.8	$V_{\text{in H}}$	Input high level	$V1 = 5 V$	1.5	2.8	3.3	V
7.14.9	$V_{\text{in Hyst}}$	Input hysteresis	$V1 = 5 V$	0.4	0.75	1.5	V
7.14.10	I_{in}	Pull down current at input	$V_{\text{in}} = 1.5 V$	5	30	60	μA
7.14.11	$C_{\text{in}}^{(1)}$	Input capacitance at input CSN, CLK, DI and PWM _{1,2}	$0V < V1 < 5.3V$		10	15	pF
7.14.12	f_{CLK}	SPI input frequency at CLK				1	MHz

1. Value of input capacity is not measured in production test. Parameter guaranteed by design.

7.14.3 Input PWM 2 Vth for flash mode

The voltages are referred to ground.

$6V \leq V_S \leq 18V$; $4.5V \leq V1 \leq 5.3V$; all outputs open; $T_j = -40^\circ\text{C} \dots 130^\circ\text{C}$, unless otherwise specified.

Table 30. Input PWM2 Vth for flash mode

Item	Symbol	Parameter	Test condition	Min.	Typ.	Max.	Unit
7.14.13	V_{inL}	Input low level (Vin rising))	$V1 = 5\text{ V}$	6.1	7.25	8.4	V
7.14.14	V_{inH}	Input high level (Vin falling)	$V1 = 5\text{ V}$	7.4	8.4	9.4	V
7.14.15	V_{inHyst}	Input hysteresis	$V1 = 5\text{ V}$	0.6	0.8	1.0	V

7.14.4 DI timing

The voltages are referred to ground and currents are assumed positive, when the current flows into the pin. $6V \leq V_S \leq 18V$; $4.5V \leq V1 \leq 5.3V$; all outputs open; $T_j = -40^\circ\text{C} \dots 130^\circ\text{C}$, unless otherwise specified.

Table 31. DI timing

Item	Symbol	Parameter	Test condition	Min.	Typ.	Max.	Unit
7.14.16	t_{CLK}	Clock period	$V1 = 5\text{ V}$	1000	-		ns
7.14.17	t_{CLKH}	Clock high time	$V1 = 5\text{ V}$	400	-		ns
7.14.18	t_{CLKL}	Clock low time	$V1 = 5\text{ V}$	400	-		ns
7.14.19	$t_{set\ CSN}$	CSN setup time, CSN low before rising edge of CLK	$V1 = 5\text{ V}$	400	-		ns
7.14.20	$t_{set\ CLK}$	CLK setup time, CLK high before rising edge of CSN	$V1 = 5\text{ V}$	400	-		ns
7.14.21	$t_{set\ DI}$	DI setup time	$V1 = 5\text{ V}$	200	-		ns
7.14.22	$t_{hold\ DI}$	DI hold time	$V1 = 5\text{ V}$	200	-		ns
7.14.23	t_{r_in}	Rise time of input signal DI, CLK, CSN	$V1 = 5\text{ V}$		-	100	ns
7.14.24	t_{f_in}	Fall time of input signal DI, CLK, CSN	$V1 = 5\text{ V}$		-	100	ns

7.14.5 DO, FSO, Dig_Out3,4

The voltages are referred to ground and currents are assumed positive, when the current flows into the pin. $6V \leq V_S \leq 18V$; $4.5V \leq V1 \leq 5.3V$; all outputs open; $T_j = -40^\circ\text{C} \dots 130^\circ\text{C}$, unless otherwise specified.

Table 32. DO, FSO, Digout3,4

Item	Symbol	Parameter	Test condition	Min.	Typ.	Max.	Unit
7.14.25	V_{DOL}	Output low level	$V1 = 5\text{ V}, I_D = -4\text{ mA}$			0.5	V
7.14.26	V_{DOH}	Output high level	$V = 5\text{ V}, I_D = 4\text{ mA}$	4.5			V
7.14.27	$I_{DOLK}^{(1)}$	Tristate leakage current	$V_{CSN} = V1,$ $0\text{ V} < V_{DO} < V1$	-10		10	μA
7.14.28	C_{DO}	Tristate input capacitance	$V_{CSN} = V1,$ $0\text{ V} < V1 < 5.3\text{ V}$		10	15	pF

1. Not valid for FSO

7.14.6 DO timing

The voltages are referred to ground and currents are assumed positive, when the current flows into the pin. $6V \leq V_S \leq 18V$; $4.5V \leq V1 \leq 5.3V$; all outputs open; $T_j = -40^\circ\text{C} \dots 130^\circ\text{C}$, unless otherwise specified.

Table 33. DO timing

Item	Symbol	Parameter	Test condition	Min.	Typ.	Max.	Unit
7.14.29	$t_{r\text{ DO}}$	DO rise time	$C_L = 100\text{ pF},$ $I_{load} = -1\text{ mA}$	-	50	100	ns
7.14.30	$t_{f\text{ DO}}$	DO fall time	$C_L = 100\text{ pF},$ $I_{load} = 1\text{ mA}$	-	50	100	ns
7.14.31	$t_{en\text{ DO tri L}}$	DO enable time from tristate to low level	$C_L = 100\text{ pF},$ $I_{load} = 1\text{ mA}$ pull-up load to V1	-	50	250	ns
7.14.32	$t_{dis\text{ DO L tri}}$	DO disable time from low level to tristate	$C_L = 100\text{ pF},$ $I_{load} = 4\text{ mA}$ pull-up load to V1	-	50	250	ns
7.14.33	$t_{en\text{ DO tri H}}$	DO enable time from tristate to high level	$C_L = 100\text{ pF},$ $I_{load} = -1\text{ mA}$ pull-down load to GND	-	50	250	ns
7.14.34	$t_{dis\text{ DO H tri}}$	DO disable time from high level to tristate	$C_L = 100\text{ pF},$ $I_{load} = -4\text{ mA}$ pull-down load to GND	-	50	250	ns
7.14.35	$t_{d\text{ DO}}$	DO delay time	$V_{DO} < 0.3\text{ V}1,$ $V_{DO} > 0.7\text{ V}1,$ $C_L = 100\text{ pF}$	-	50	250	ns

7.14.7 CSN timing

The voltages are referred to ground and currents are assumed positive, when the current flows into the pin. $6V \leq V_S \leq 18V$; $4.5V \leq V1 \leq 5.3V$; all outputs open; $T_j = -40^\circ C \dots 130^\circ C$, unless otherwise specified.

Table 34. CSN timing

Item	Symbol	Parameter	Test condition	Min.	Typ.	Max.	Unit
7.14.36	$t_{CSN_HI,min}$	Minimum CSN HI time, active mode	Transfer of SPI-command to input register	6	-	-	μs

Figure 16. SPI - Input timing

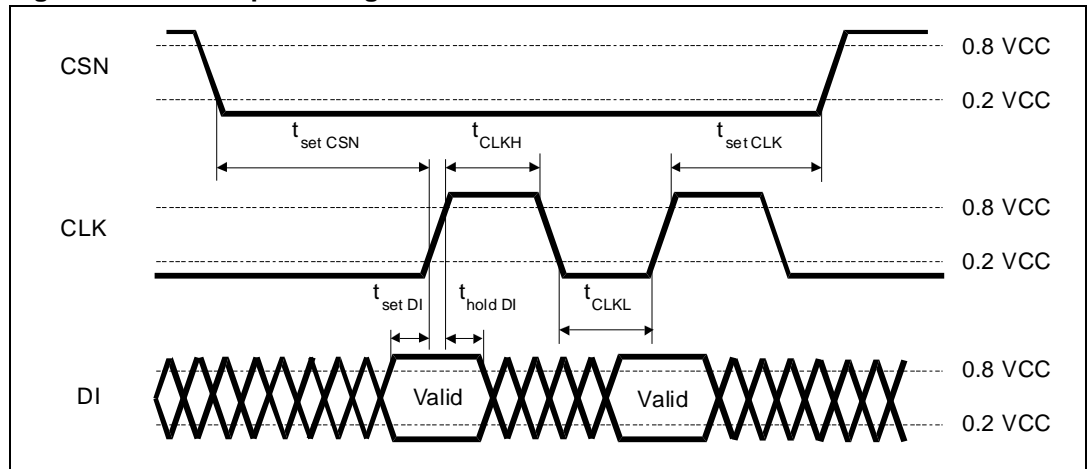


Figure 17. SPI - Edges timing

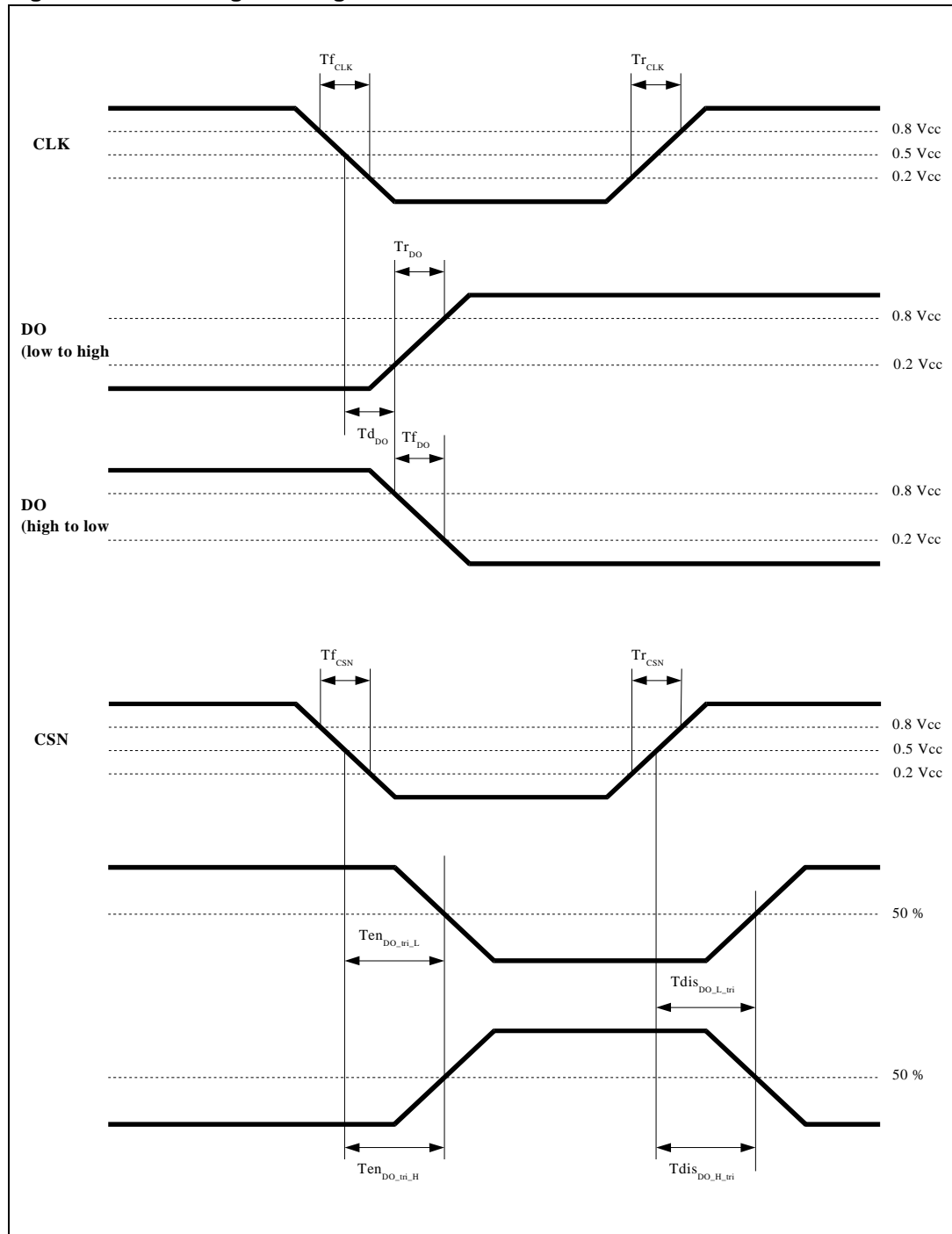


Figure 18. SPI - CSN low to high transition

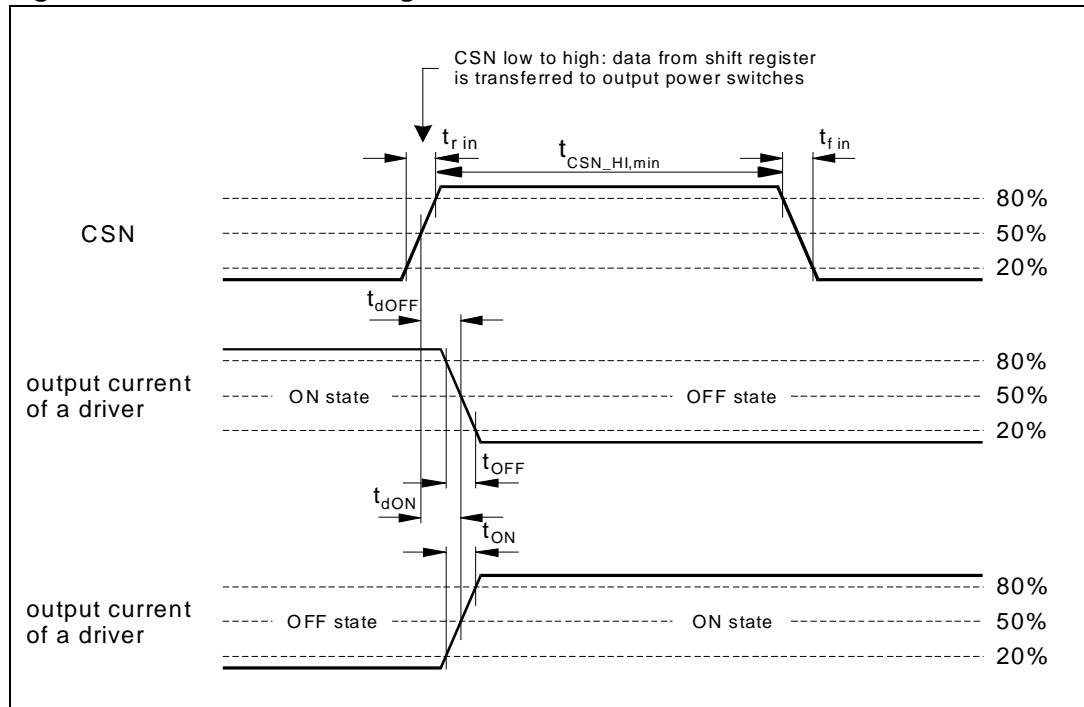
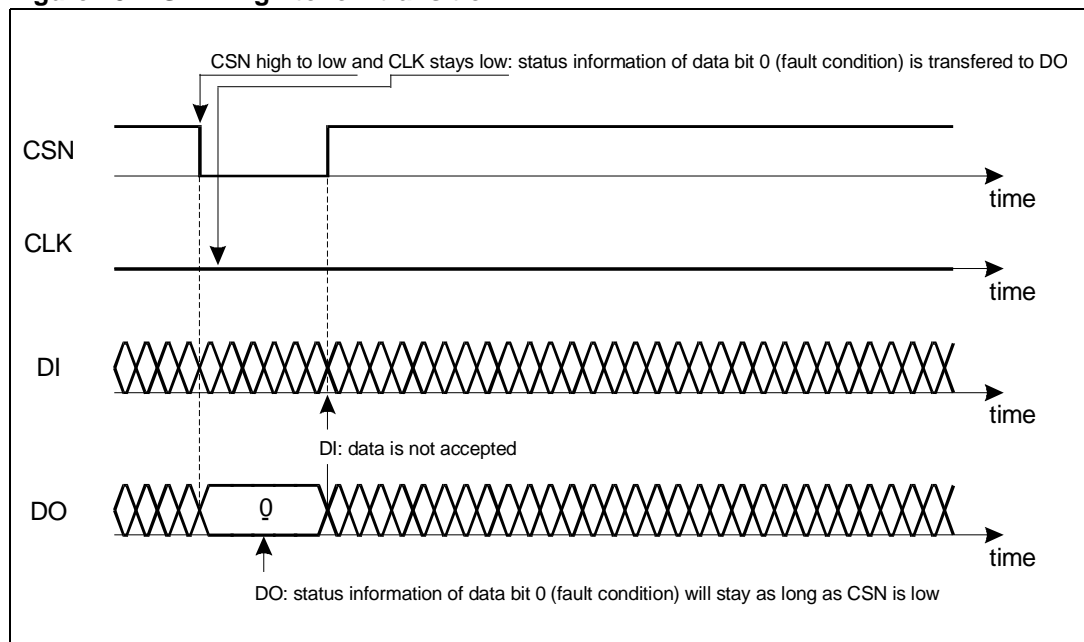


Figure 19. SPI - High to low transition



8 SPI control and status registers

8.1 SPI registers

24bit shift register: first 2 bits are address (A1,A0) and 22 bits are data.

During power-on reset, all registers are set to zero.

Table 35. SPI registers

D23	D22	D21	D20	D19	D18	D17	D16	D15	D14	D13	D12	D11	D10	D09	D08	D07	D06	D05	D04	D03	D02	D01	D00
A1	A0	Data																					
Address																							
[write]		On5V2					On Signals																
Control Register 0	GO VCC	GO V _{BAT}	TRIG	ON V21	ON V20	REL 2	REL 1	OUT HS2	OUT HS1	OUT HS0	HS 42	HS 41	HS 40	HS 32	HS 31	HS 30	HS 22	HS 21	HS 20	HS 12	HS 11	HS 10	
0	0	Address																					
[write]		Timer 2			Timer 1				Loop			Pullup / down				Wakeup Sources OL				Wakeup Sources			
Control Register 1	CLR	INT_en	T20	T13	T12	T11	T10	L2	L1	L0	U3	U2	U1	U0	W7	W6	W5	W4	W3	W2	W1	W0	
0	1	Address																					
[write]		Input config								Reset level		LIN		Openload treshold									
Control Register 2	RES	I _{CMP}	LS OVUV	LIN Slope	IC 41	IC 40	IC 31	IC 30	IC 21	IC 20	IC 11	IC 10	LEV 1	LEV 0	TXT TOUT	LINPU	O _{HS} REC	VLOCK OUT	OLT HS4	OLT HS3	OLT HS2	OLT HS1	
1	0	Address																					
[read]		Reserved		Wakeup		Wakeup input status				Overcurrent						Openload							
Status Register 0	RES	RES	COLD START	LIN	INH	WU4	WU3	WU2	WU1	SHT5 V2	Rel2 OC	Rel1 OC	HS OC	HS4 OC	HS3 OC	HS2 OC	HS1 OC	HS OL	HS4 OL	HS3 OL	HS2 OL	HS1 OL	
Err	Err	Address																					
		Reserved		LIN State		Watchdog Reset				5V Restarts		State											
Status Register 1	RES	RES	DOM TXD	SHT BAT	SHT GND	TRIG	WD 3	WD 2	WD 1	WD 0	R2	R1	R0	ST1	ST0	VCC ₂ Fail	VCC ₁ Fail	TSD 2	TSD 1	TW	UV	OV	
Err	Err	Address																					

Note: During the shift in of the address bits, (2 clock periods) an internal error bit (Err) is fed to the DO output.

D23,D22 -> error flags (seen from DO)

The error flag is generated by logic OR combination of following error bits:

VCC_Fail1,2; TSD1,2; TW; OV,UW; OC_HS1..4; OC_OUTHS; OC_REL1..2; OC_V2

8.1.1 Control register 0

While writing to the control register 0, the status register 0 can be read at the DO-Output of the SPI.

Table 36. Control register 0

				5V2		Driver ON Signals																	
Bit	21	20	19	18	17	16	15	14	13	12	11	10	9	8	7	6	5	4	3	2	1	0	
Access	w	w	w	w	w	w	w	w	w	w	w	w	w	w	w	w	w	w	w	w	w	w	w
Reset	0	0	0	0	0	0	0	0	0	0	0	0	0	0	0	0	0	0	0	0	0	0	0
Name	GO V1	GO V _{bat}	TRIG	ON V21	ON V20	REL 2	REL 1	OUT HS2	OUT HS1	OUT HS0	HS 42	HS 41	HS 40	HS 32	HS 31	HS 30	HS 22	HS 21	HS 20	HS 12	HS 11	HS 10	

Table 37. Configuration bit HSxx

Name / state			Definition/ function
HSx2	HSx1	HSx0	Defines the output configuration of the High Side Drivers 1-4

Table 38. Configuration bit OUT_HSx

Name / state			Definition/ function
OUT_HS 2	OUT_HS 1	OUT_HS 0	Defines the output configuration of the High Side Driver OUT_HS
0	0	0	Driver is OFF in all modes
0	0	1	Driver is ON in active mode, off in standby mode
0	1	0	Driver is cyclic ON with the timing of Timer 1 in active mode and standby modes
0	1	1	Driver is cyclic ON with the timing of Timer 2 in active mode and standby modes
1	0	0	Driver is controlled by the PWM1 Input
1	0	1	Driver is controlled by the PWM2 Input

Table 39. Configuration bit RELx

Name / state		Definition/ function
RELx		Defines the Output configuration of the low side relay drivers 1/2
0		Driver is OFF in all modes
1		Driver is ON in active mode (off in standby mode)

Table 40. Configuration bit On_V2x

Name / state		Definition/ function
On_V21	On_V20	Defines in which modes the voltage regulator 2 is on
0	0	Voltage regulator 2 is OFF in all modes

Table 40. Configuration bit On_V2x (continued)

Name / state		Definition/ function
0	1	Voltage regulator 2 is ON in ACTIVE mode; OFF in V ₁ -standby, V _{Bat} -standby
1	0	Voltage regulator 2 is ON in ACTIVE mode and V ₁ standby; OFF in V _{bat} -standby
1	1	Voltage regulator 2 is ON in all modes

Table 41. Configuration bit TRIG, GO_VBAT, GO_V1

TRIG	Trigger bit for watchdog; inverted for each Trigger event invert this bit for a proper watchdog trigger.
GO_VBAT	"1" enters the V _{bat} -standby mode. (dominant mode, if both standby modes are selected)
GO_V1	"1" enters the V ₁ -standby mode.

8.1.2 Control register 1

While writing to the control register 1, the status register 1 can be read at the DO-Output of the SPI.

Table 42. Control register 1

Bit	Cyclic Timer 1/2							Loop			Pull up				Wakeup Sources								
	21	20	19	18	17	16	15	14	13	12	11	10	9	8	7	6	5	4	3	2	1	0	
Access	w	w	w	w	w	w	w	w	w	w	w	w	w	w	w	w	w	w	w	w	w	w	w
Reset	0	0	0	0	0	0	0	0	0	0	0	0	0	0	0	0	0	0	0	0	0	0	0
Name	CLR	INT_EN	T20	T13	T12	T11	T10	L2	L1	L0	U3	U2	U1	U0	W7	W6	W5	W4	W3	W2	W1	W0	

Table 43. Configuration bit Wx

Name/state								Definition/function
W7	W6	W5	W4	W3	W2	W1	W0	Disables the corresponding wake up sources
x	x	x	x	x	x	x	1	Input WU1 is disabled as wake up source
x	x	x	x	x	x	1	x	Input WU2 is disabled as wake up source
x	x	x	x	x	1	x	x	Input WU3 is disabled as wake up source
x	x	x	x	1	x	x	x	Input WU4 is disabled as wake up source
x	x	x	1	x	x	x	x	Open load Appearance / Disappearance at OUT1 is disabled as wake up source
x	x	1	x	x	x	x	x	Open load Appearance / Disappearance at OUT2 is disabled as wake up source
x	1	x	x	x	x	x	x	Open load Appearance / Disappearance at OUT3 is disabled as wake up source

Table 43. Configuration bit Wx (continued)

Name/state								Definition/function
1	x	x	x	x	x	x	x	Open load Appearance / Disappearance at OUT4 is disabled as wake up source
0	0	0	0	0	0	0	0	Default: all wake up sources are enabled

Table 44. Configuration bit Ux

Name/state				Definition/function
U3	U2	U1	U0	Defines whether the Inputs WU1..4 are configured with current source or current sink in standby mode.
x	x	x	1	Input WU1 configured with a current source in standby mode (R _{WU_act} pulldown resistor in active mode - see Table 20.)
x	x	1	x	Input WU2 configured with a current source in standby mode (R _{WU_act} pulldown resistor in active mode - see Table 20.)
x	1	x	x	Input WU3 configured with a current source in standby mode (R _{WU_act} pulldown resistor in active mode - see Table 20.)
1	x	x	x	Input WU4 configured with a current source in standby mode (R _{WU_act} pulldown resistor in active mode - see Table 20.)
0	0	0	0	Default: All Inputs configured with a current sink in standby (R _{WU_act} pulldown resistor in active mode - see Table 20.)

Table 45. Configuration bit Lx

Name/state			Definition/function	
L2	L1	L0	Defines which signal is looped to the Dig_Out3 and Dig_Out4 (see note)	
			Dig_Out3	Dig_Out4
0	0	0	WU3 (default)	WU4 (default)
0	0	1	HighZ	WU4
0	1	0	WU3	HighZ
0	1	1	WU3	Open Load HS2
1	0	0	Open Load HS1	WU4
1	0	1	Open Load HS1	Open Load HS2
1	1	0	Open Load HS1	HighZ
1	1	1	HighZ	Open Load HS2

Table 46. Configuration bit Txx

Name/state			Definition/function
T12	T11	T10	Defines the period of the cyclic sense Timer 1 which is selectable for Out 1..4 and Out_HS (see ON signals control register 0)
0	0	0	Period: 0.5 s
0	0	1	Period: 1.0 s
0	1	0	Period: 1.5 s
0	1	1	Period: 2.0 s
1	0	0	Period: 2.5 s
1	0	1	Period: 3.0 s
1	1	0	Period: 3.5 s
1	1	1	Period: 4.0 s
T13			Defines the ON time for the cyclic sense Timer1
0			ON time 10 ms
1			ON time 20 ms
T20			Defines the ON time of the cyclic sense Timer 2 which is selectable for Out 1..4 and OUTHS (see ON Signals control register 0)
0			Period 50 ms / ON time 100 us
1			Period 50 ms / ON time 1ms

Table 47. Configuration bit INT_enable

Name/state	Definition/function
INT_enable	
0	Interrupt Mode disabled (see Section 2.7)
1	Interrupt Mode enabled
CLR	Clears the contents of status register 0 and 1

Note: In V_{BAT} standby mode, DigOut 3 and DigOut4 are HighZ.

8.1.3 Control register 2

While writing to the control register 2, the status register 0 can be read at the DO-Output of the SPI.

Table 48. Control register 2

Bit	Input filter configuration												Reset level		LIN		Open load threshold						
	21	20	19	18	17	16	15	14	13	12	11	10	9	8	7	6	5	4	3	2	1	0	
Access	W		W	W	W	W	W	W	W	W	W	W	W	W	W	W	W	W	W	W	W	W	W
Reset	0	0	0	0	0	0	0	0	0	0	0	0	0	0	0	0	0	0	0	0	0	0	0
Name	RES	I _{CMP}	LSO VUV	LIN Slope	IC 41	IC 40	IC 31	IC 30	IC 21	IC 20	IC 11	IC 10	LEV 1	LEV 0	TXDT Out	LINP U	O_HS REC	VS Lock Out	OLT HS4	OLT HS3	OLT HS2	OLT HS1	

Table 49. Configuration bit OLT_HSx, VSLOCK Out, O_HS_REC, LINPU and TXD_TOUT

Name/state	Definition/function
OLT_HSx	Open load threshold for the High Side Drivers Out1..4 0: I _{openload} = 2mA; 1: I _{openload} = 8mA
VSLOCK Out	Automatic recovery after VS Over/Under voltage "0" (default): Vs lockout is disabled, i.e. outputs will automatically recover (according to output settings in CR0) after Vs over / under - voltage conditions has disappeared "1": Vs lockout is enabled, i.e. outputs will remain Off after Vs over / under voltage recovery conditions has disappeared, until the Vs over / under voltage Status Bits (SR1, bit s0,1) are cleared by CLR command (CR1, bit 21).
O_HS_REC	"1" = Recovery mode for OUT_HS Driver.
LINPU	"1" will disable the master pull up LINPU
TXD_TOUT	"1" will disable the dominant TxD time-out for the LIN Interface.

Table 50. Configuration bit LEVx

Name/state	Definition/function	
LEV1	LEV0	
0	0	Controls the reset level
0	0	Set the reset threshold to 4.65V, typ.
0	1	Set the reset threshold to 4.35V, typ.
1	X	Reserved (do not use for operation, set LEV1 to "0")

Table 51. Configuration bit ICxx

Name/state		Definition/function	
IC(1..4)1	IC(1..4)0	Selects the filter configuration for the Wakeup Inputs WU1 to 4	
IC11	0	0	Filter with 64 us Filter time (static sense)
IC21	0	1	Enable Filter after 80 us with a Filter time of 16 us (cyclic sensing), timer2
IC31	1	0	Enable Filter after 800 us with a Filter time of 16 us (cyclic sensing), timer2
IC41	1	1	Enable Filter after 800 us with a Filter time of 16 us (cyclic sensing), timer1

Table 52. Configuration bit LIN slope, LS_ovuv and ICMP

Name/state	Definition/function
LIN slope	Change LIN slope
0	High slew rate (default)
1	Low slew rate
LS_ovuv	Vs Over / Under voltage shutdown of REL1,2 (low side drivers)
0	Enable (default): REL1,2 turned Off in case of Vs Over/Undervoltage
1	Disable : REL1,2 remain On in case of Vs Over/Undervoltage
ICMP	Current supervision of V1 regulator in V ₁ -standby mode.
0	Enable (default)
1	Disable
RES	Reserved

8.1.4 Status register 0

The contents of the status register 0 can be read implicitly, while accessing the control register 0 or control register 2.

Table 53. Status register 0

Bit	Wakeup Inputs									Over current								Open load				
	21	20	19	18	17	16	15	14	13	12	11	10	9	8	7	6	5	4	3	2	1	0
Access	r	r	r	r	r	r	r	r	r	r	r	r	r	r	r	r	r	r	r	r	r	r
Reset	0	0	0	0	0	0	0	0	0	0	0	0	0	0	0	0	0	0	0	0	0	0
Name	RES	RES	Cold Start	LIN	INH	WU 4	WU 3	WU 2	WU 1	SHT5V2	REL 2OC	REL 1OC	HS OC	HS 4OC	HS 3OC	HS 2OC	HS 1OC	HS O L	HS 4OL	HS 3OL	HS 2OL	HS 1OL

Table 54. Configuration bit HSx_OL, HSx_OC and Relx_OC

Name/state	Definition/function
HS1..4_OL	Open load status from the High Side Driver OUT1..4.
0	No open load has been detected.
1	Open load has been detected.
HS_OL	Open load status from the High Side Driver OUT_HS
0	No open load has been detected.
1	Open load has been detected.
HS1..4_OC	Over current status from the High Side Driver OUT1..4.
0	No over current has been detected.
1	Over current has been detected.
HS_OC	Over current status from the High Side Driver OUT_HS.
0	No over current has been detected.
1	Over current has been detected.
Rel 1,2_OC	Over current status from Relais1,2
0	No over current has been detected.
1	Over current has been detected.

Table 55. Configuration bit SHT5V2, WUx, INH, LIN and Cold Start

Name/state	Definition/function
SHT5V2	V2 short to ground at turn on; condition: V2 < 2V for more than 4ms. "1" = fail
WU4...WU1	Status of the corresponding Inputs WU1..4 (according to filter settings in CR2)

Table 55. Configuration bit SHT5V2, WUx, INH, LIN and Cold Start (continued)

Name/state	Definition/function
INH	Wakeup initiated through INH source
LIN	Wakeup initiated through LIN source
Cold Start	Set to high when the internal Power on Reset occurs. Will be cleared with the first SPI access.

Note: RES = reserved bits.

8.1.5 Status register 1

The contents of the status register 1 can be read implicitly, while accessing the control register 1.

Table 56. Status register 1

		LIN state					WD resets					5V restarts			State								
Bit	21	20	19	18	17	16	15	14	13	12	11	10	9	8	7	6	5	4	3	2	1	0	
Access	r	r	r	r	r	r	r	r	r	r	r	r	r	r	r	r	r	r	r	r	r	r	r
Reset	0	0	0	0	0	0	0	0	0	0	0	0	0	0	0	0	0	0	0	0	0	0	0
Name	RES	RES	DOM TXD	SHT BAT	SHT GND	TRIG	WD 3	WD 2	WD 1	WD 0	R2	R1	R0	ST1	ST0	V2 Fail	V1 Fail	TSD 2	TSD 1	TW	UV	OV	

Table 57. Configuration bit OV, UV, TW, TSDx and Vx Fail

Name	Definition, function
OV	Over voltage failure of Vs.
UV	Under voltage failure of Vs.
TW	Temperature Warning: the chip temperature exceeds 130°C
TSD1	Thermal shutdown #1: The chip temperature exceeds 140°C All Outputs, except the voltage regulator 1 are switched off.
TSD2	Thermal shutdown #2: The chip temperature exceeds 155°C All Outputs, including the voltage regulator 1 are switched off.
V1 Fail	The output of Voltage Regulator 1 failed for at least 2µs. Conditions: (V1<2V for >2µs) OR (V1<2V at 4ms after turn-on). '1'= fail
V2 Fail	The output of Voltage Regulator 2 failed for at least 2µs. Conditions: (V2<2V for >2µs) OR (V2<2V at 4ms after turn-on). '1'= fail

Table 58. Configuration bit STx

Name		Mode
ST1	ST0	
0	0	Active mode
0	1	V1-standby -> a readout is wake up condition -> active mode -> 00 is read

Table 58. Configuration bit STx (continued)

Name		Mode
1	0	VBat-standby, a readout is not possible, as V1 is off
1	1	Flash Mode

Table 59. Configuration bit Rx, WDx, TRIG, SHT_GND, SHT_BAT and DOM_TXD

Name	Definition, function
R2 R1 R0	Number of unsuccessfully restarts after thermal shutdown
WD3 WD2 WD1 WD0	Number of Watchdog time-outs ⁽¹⁾
TRIG	Status of the Trigger bit from Control Register 0
SHT_GND	LIN Short to ground
SHT_BAT	LIN Short to battery
DOM_TXD	Dominant TXT
RES	Reserved

1. Bits are cleared at every valid WD trigger or when forced sleep mode is entered (after 15 WD failures have been detected)

9 Package and packing information

9.1 ECOPACK® packages

In order to meet environmental requirements, ST offers these devices in different grades of ECOPACK® packages, depending on their level of environmental compliance. ECOPACK® specifications, grade definitions and product status are available at: www.st.com.

ECOPACK® is an ST trademark.

9.2 PowerSSO-36 package information

Figure 20. PowerSSO-36 package dimensions

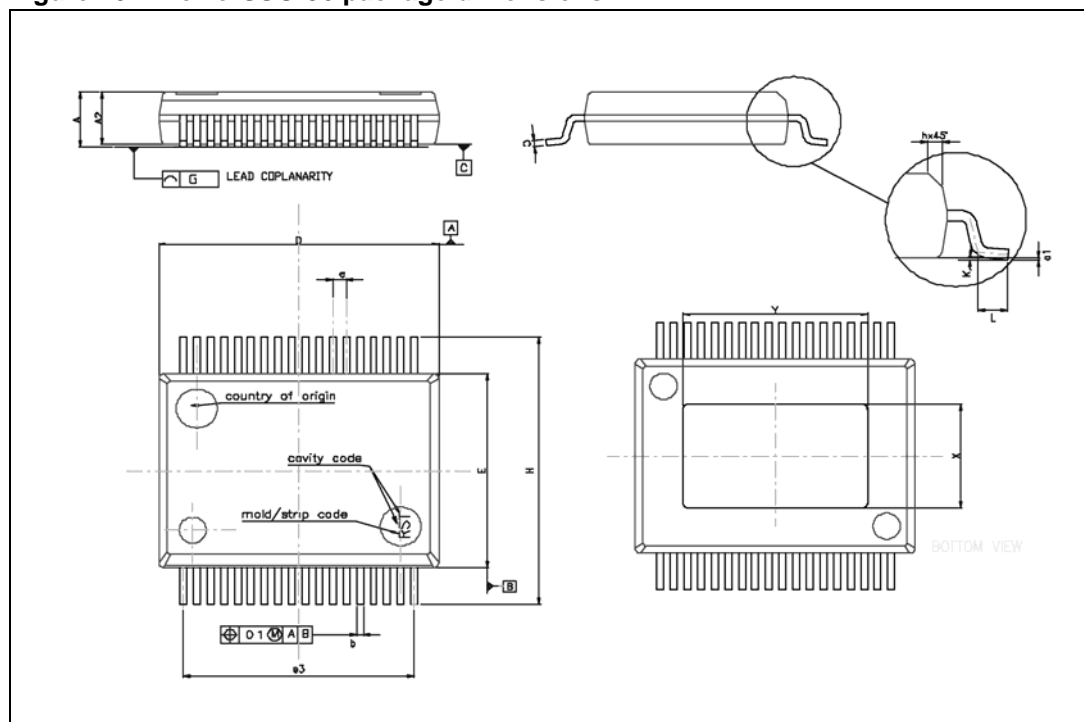


Table 60. PowerSSO-36 mechanical data

Symbol	Millimeters		
	Min.	Typ.	Max.
A	-	-	2.45
A2	2.15	-	2.35
a1	0	-	0.1
b	0.18	-	0.36
c	0.23	-	0.32

Table 60. PowerSSO-36 mechanical data (continued)

Symbol	Millimeters		
	Min.	Typ.	Max.
D	10.10	-	10.50
E	7.4	-	7.6
e	-	0.5	-
e3	-	8.5	-
F	-	2.3	-
G	-	-	0.1
G1	-	-	0.06
H	10.1	-	10.5
h	-	-	0.4
k	0°	-	8°
L	0.55	-	0.85
M	-	4.3	-
N	-	-	10 deg
O	-	1.2	-
Q	-	0.8	-
S	-	2.9	-
T	-	3.65	-
U	-	1.0	-
X	4.1	-	4.7
Y	6.5	-	7.1

9.3 PowerSSO-36 packing information

Figure 21. PowerSSO-36 tube shipment (no suffix)

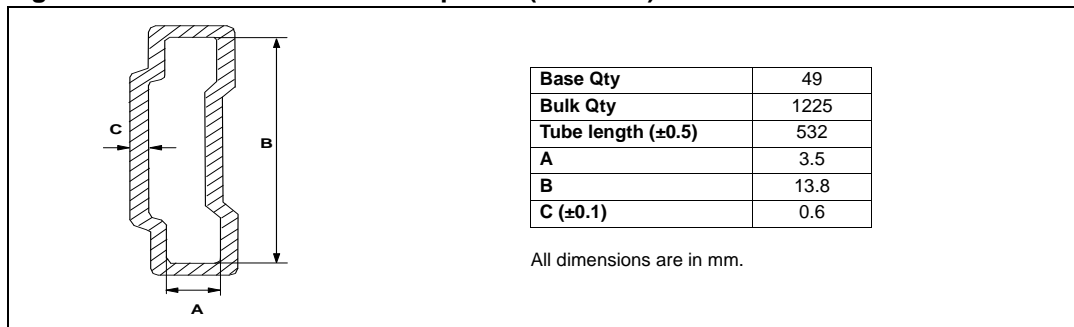
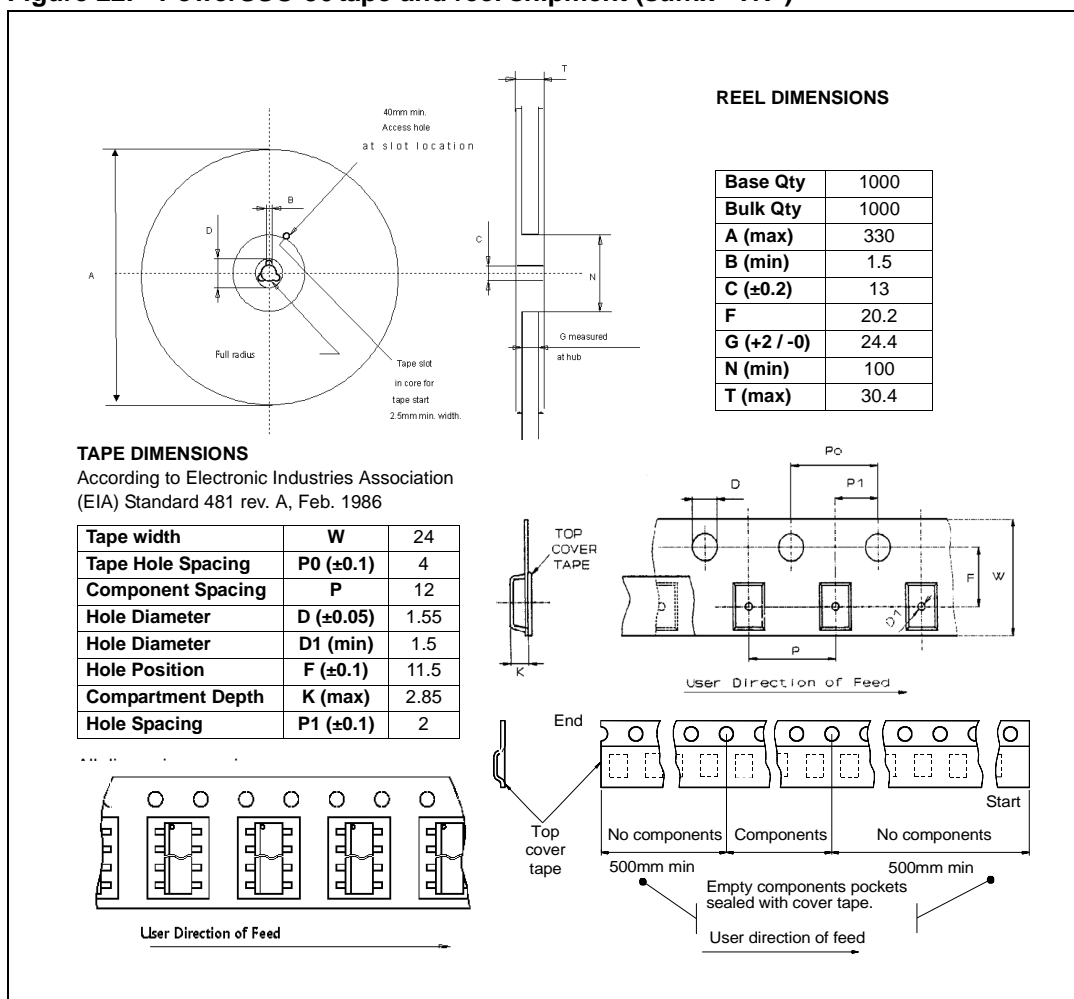


Figure 22. PowerSSO-36 tape and reel shipment (suffix “TR”)



10 Revision history

Table 61. Document revision history

Date	Revision	Changes
24-Aug-2007	1	Initial release.
07-Sep-2007	2	<p>Table 18: High side outputs (OUT 1..4): modified openload detection current 1 parameter value (item 7.8.13).</p> <p>Table 20: Wake up inputs(WU1...WU4): modified Input current in standby mode test condition (item 7.10.5).</p> <p>Table 22: LIN receiver: modified symmetry of transmitter propagation delay time parameter value (item 7.12.24).</p> <p>Added Section 9.3: PowerSSO-36 packing information.</p>
21-Sep-2007	3	<p>Section 7.2: Oscillator: changed Vs minimum value from 7 to 6 V.</p> <p>Table 10: Supply and supply monitoring:</p> <ul style="list-style-type: none"> – changed parameter 7.1.10 ($I_{V(BATWU)}$) max value from 300 to 320 μA – changed parameter 7.1.11 ($I_{V(BATWU)}$) max value from 380 to 410 μA.
11-Apr-2008	4	<p>Modified Figure 4.: Watchdog</p> <p>Modified Section 2.13: Low side driver outputs Rel1, Rel2.</p> <p>Added note to Section 2.2.2: Flash mode.</p> <p>Section Table 48.: Control register 2: changed definition to V_S Lock Out parameter.</p> <p>Added Section 6.3: Package and PCB thermal data.</p> <p>Modified Section 7.14.3: Input PWM 2 Vth for flash mode.</p> <p>Table 42: Control register 1: modified "pull down" settings for the wake-up inputs WU1..4 .</p>
08-Jul-2009	5	<p>Table 60: PowerSSO-36 mechanical data:</p> <ul style="list-style-type: none"> – Deleted A (min) value – Changed A (max) value from 2.47 to 2.45 – Changed A2 (max) value from 2.40 to 2.35 – Changed a1 (max) value from 0.075 to 0.1 – Added k row – Changed G (max) value from 0.075 to 0.1
22-Sep-2013	6	Updated Disclaimer.

Please Read Carefully:

Information in this document is provided solely in connection with ST products. STMicroelectronics NV and its subsidiaries ("ST") reserve the right to make changes, corrections, modifications or improvements, to this document, and the products and services described herein at any time, without notice.

All ST products are sold pursuant to ST's terms and conditions of sale.

Purchasers are solely responsible for the choice, selection and use of the ST products and services described herein, and ST assumes no liability whatsoever relating to the choice, selection or use of the ST products and services described herein.

No license, express or implied, by estoppel or otherwise, to any intellectual property rights is granted under this document. If any part of this document refers to any third party products or services it shall not be deemed a license grant by ST for the use of such third party products or services, or any intellectual property contained therein or considered as a warranty covering the use in any manner whatsoever of such third party products or services or any intellectual property contained therein.

UNLESS OTHERWISE SET FORTH IN ST'S TERMS AND CONDITIONS OF SALE ST DISCLAIMS ANY EXPRESS OR IMPLIED WARRANTY WITH RESPECT TO THE USE AND/OR SALE OF ST PRODUCTS INCLUDING WITHOUT LIMITATION IMPLIED WARRANTIES OF MERCHANTABILITY, FITNESS FOR A PARTICULAR PURPOSE (AND THEIR EQUIVALENTS UNDER THE LAWS OF ANY JURISDICTION), OR INFRINGEMENT OF ANY PATENT, COPYRIGHT OR OTHER INTELLECTUAL PROPERTY RIGHT.

ST PRODUCTS ARE NOT DESIGNED OR AUTHORIZED FOR USE IN: (A) SAFETY CRITICAL APPLICATIONS SUCH AS LIFE SUPPORTING, ACTIVE IMPLANTED DEVICES OR SYSTEMS WITH PRODUCT FUNCTIONAL SAFETY REQUIREMENTS; (B) AERONAUTIC APPLICATIONS; (C) AUTOMOTIVE APPLICATIONS OR ENVIRONMENTS, AND/OR (D) AEROSPACE APPLICATIONS OR ENVIRONMENTS. WHERE ST PRODUCTS ARE NOT DESIGNED FOR SUCH USE, THE PURCHASER SHALL USE PRODUCTS AT PURCHASER'S SOLE RISK, EVEN IF ST HAS BEEN INFORMED IN WRITING OF SUCH USAGE, UNLESS A PRODUCT IS EXPRESSLY DESIGNATED BY ST AS BEING INTENDED FOR "AUTOMOTIVE, AUTOMOTIVE SAFETY OR MEDICAL" INDUSTRY DOMAINS ACCORDING TO ST PRODUCT DESIGN SPECIFICATIONS. PRODUCTS FORMALLY ESCC, QML OR JAN QUALIFIED ARE DEEMED SUITABLE FOR USE IN AEROSPACE BY THE CORRESPONDING GOVERNMENTAL AGENCY.

Resale of ST products with provisions different from the statements and/or technical features set forth in this document shall immediately void any warranty granted by ST for the ST product or service described herein and shall not create or extend in any manner whatsoever, any liability of ST.

ST and the ST logo are trademarks or registered trademarks of ST in various countries.

Information in this document supersedes and replaces all information previously supplied.

The ST logo is a registered trademark of STMicroelectronics. All other names are the property of their respective owners.

© 2013 STMicroelectronics - All rights reserved

STMicroelectronics group of companies

Australia - Belgium - Brazil - Canada - China - Czech Republic - Finland - France - Germany - Hong Kong - India - Israel - Italy - Japan - Malaysia - Malta - Morocco - Philippines - Singapore - Spain - Sweden - Switzerland - United Kingdom - United States of America

www.st.com