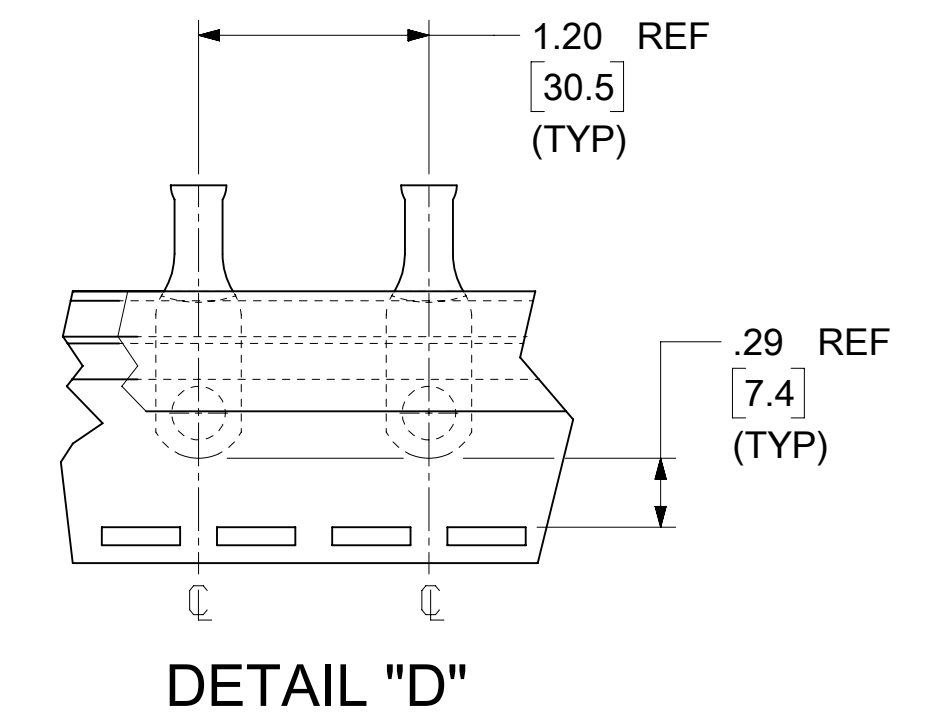
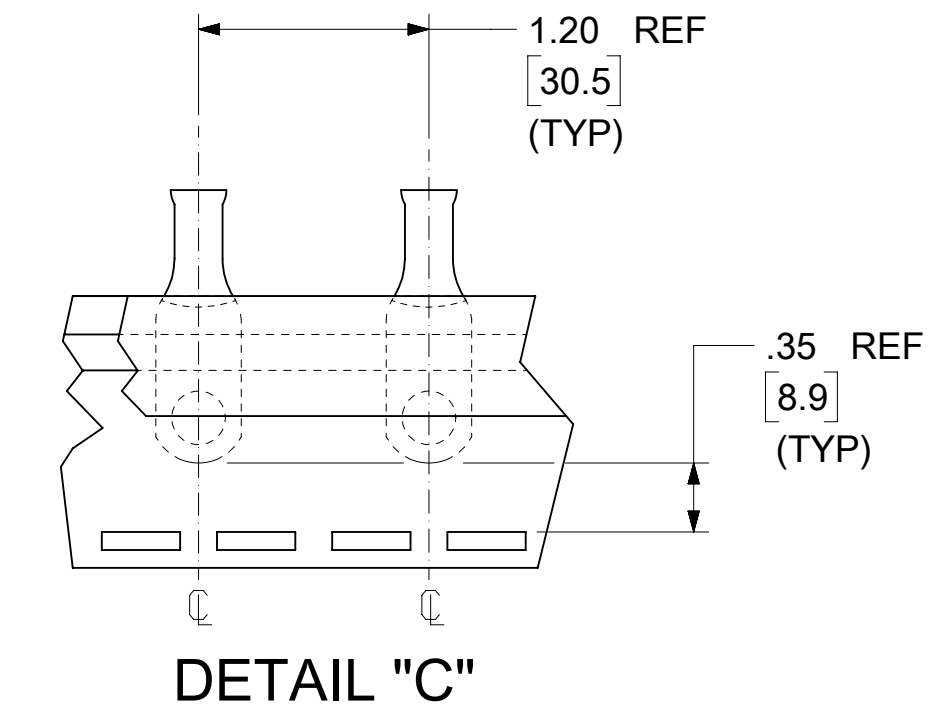
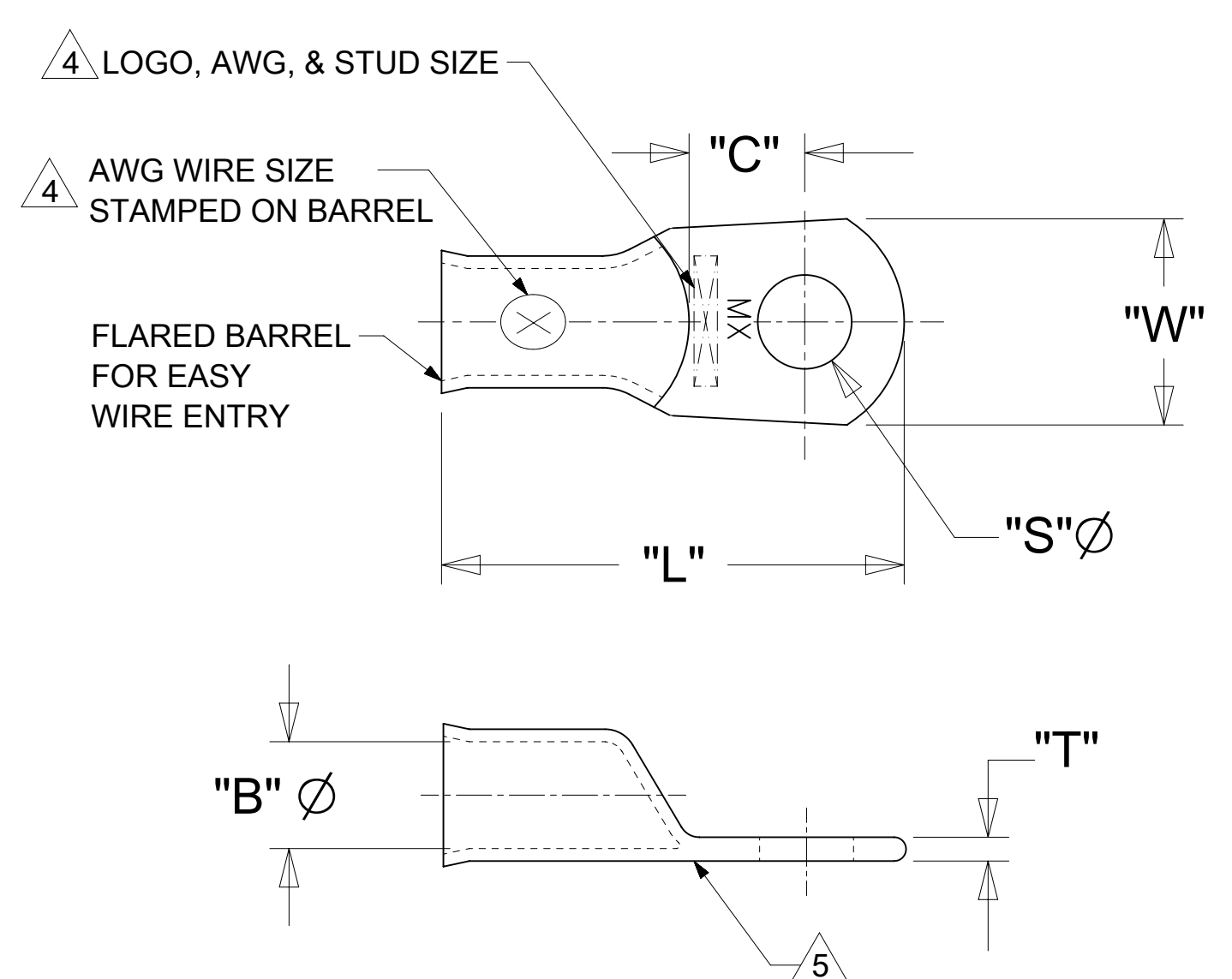


| 12 | 11 | 10 | 9 | 8 | 7 | 6 | 5 | 4 | 3 | 2 | 1 | | | | | |
|--------------------------|----------------------|----------------------------|---------------------------|------------------------|---------------------------|-------------------------|------------------------|------------|-----------|-------------------------|----------------|----------------|----------------|----------------|----------------|----------------|
| UNPLATED MATERIAL NUMBER | UNPLATED ENG. NUMBER | UNPLATED MAT'L NO. ON TAPE | UNPLATED ENG. NO. ON TAPE | PLATED MATERIAL NUMBER | PLATED ENGINEERING NUMBER | PLATED MAT. NO. ON TAPE | PLATED ENG. NO ON TAPE | SEE DETAIL | STUD SIZE | WIRE RANGE | "S" ±.015/0.38 | "L" ±.050/1.27 | "W" ±.035/0.89 | "C" ±.050/1.27 | "B" ±.020/0.51 | "T" ±.030/0.76 |
| 192210451 | BCL-410 | 190820044 | BCL-410T | 192210452 | BCL-410-PL | 190820048 | BCL-410-PLT | D | 10/4.8mm | 4 AWG/25mm ² | .214/5.45 | 1.500/38.10 | .531/13.49 | .429/10.90 | .286/7.26 | .080/2.03 |
| 192210404 | BCL-414 | 190820045 | BCL-414T | 192210230 | BCL-414-PL | 190820049 | BCL-414-PLT | D | 1/4"/M6 | 4 AWG/25mm ² | .278/7.06 | 1.500/38.10 | .531/13.49 | .429/10.90 | .286/7.26 | .080/2.03 |
| 192210405 | BCL-4516 | 190820046 | BCL-4516T | 192210231 | BCL-4516-PL | 190820025 | BCL-4516-PLT | D | 5/16"/M8 | 4 AWG/25mm ² | .340/8.64 | 1.500/38.10 | .531/13.49 | .429/10.90 | .286/7.26 | .080/2.03 |
| 192210461 | BCL-4516-WP | 190820050 | BCL-4516-WPT | 192210460 | BCL-4516-WP-PL | 190820052 | BCL-4516-WP-PLT | D | 5/16"/M8 | 4 AWG/25mm ² | .340/8.64 | 1.531/38.89 | .625/15.88 | .397/10.08 | .286/7.26 | .080/2.03 |
| 192210383 | BCL-438 | 190820047 | BCL-438T | 192210232 | BCL-438-PL | 190820026 | BCL-438-PLT | D | 3/8"/M9 | 4 AWG/25mm ² | .400/10.16 | 1.500/38.10 | .531/13.49 | .429/10.90 | .286/7.26 | .080/2.03 |
| 192210458 | BCL-438-WP | 190820051 | BCL-438-WPT | 192210456 | BCL-438-WP-PL | 190820027 | BCL-438-WP-PLT | D | 3/8"/M9 | 4 AWG/25mm ² | .400/10.16 | 1.531/38.89 | .625/15.88 | .397/10.08 | .286/7.26 | .080/2.03 |
| 192210459 | BCL-438-XWP | 190820053 | BCL-438-XWPT | 192210457 | BCL-438-XWP-PL | 190820055 | BCL-438-XWP-PLT | D | 3/8"/M9 | 4 AWG/25mm ² | .400/10.16 | 1.688/42.88 | .766/19.46 | .444/11.28 | .286/7.26 | .100/2.54 |
| 192210453 | BCL-412-XWP | 190820054 | BCL-412-XWPT | 192210454 | BCL-412-XWP-PL | 190820056 | BCL-412-XWPT-PLT | D | 1/2"/M12 | 4 AWG/25mm ² | .520/13.21 | 1.688/42.88 | .766/19.46 | .444/11.28 | .286/7.26 | .100/2.54 |
| 192210419 | BCL-214 | 190820057 | BCL-214T | 192210418 | BCL-214-PL | 190820001 | BCL-214-PLT | C | 1/4"/M6 | 2 AWG/35mm ² | .278/7.06 | 1.625/41.28 | .625/15.88 | .437/11.10 | .336/8.53 | .095/2.41 |
| 192210400 | BCL-2516 | 190820058 | BCL-2516T | 192210233 | BCL-2516-PL | 190820002 | BCL-2516-PLT | C | 5/16"/M8 | 2 AWG/35mm ² | .340/8.64 | 1.625/41.28 | .625/15.88 | .437/11.10 | .336/8.53 | .095/2.41 |
| 192210380 | BCL-238 | 190820059 | BCL-238T | 192210235 | BCL-238-PL | 190820030 | BCL-238-PLT | C | 3/8"/M9 | 2 AWG/35mm ² | .400/10.16 | 1.625/41.28 | .625/15.88 | .437/11.10 | .336/8.53 | .095/2.41 |
| 192210564 | BCL-238-WP | 190820060 | BCL-238-WPT | 192210565 | BCL-238-WP-PL | 190820062 | BCL-238-WP-PLT | C | 3/8"/M9 | 2 AWG/35mm ² | .400/10.16 | 1.750/44.45 | .750/19.05 | .474/12.04 | .336/8.53 | .095/2.41 |
| 192210399 | BCL-212-WP | 190820061 | BCL-212-WPT | 192210236 | BCL-212-WP-PL | 190820063 | BCL-212-WP-PLT | C | 1/2"/M12 | 2 AWG/35mm ² | .520/13.21 | 1.750/44.45 | .750/19.05 | .474/12.04 | .336/8.53 | .095/2.41 |
| 192210594 | BCL-110 | ---- | ----- | 192210595 | BCL-110-PL | ---- | ----- | --- | 10/4.8mm | 1 AWG/50mm ² | .214/5.45 | 1.718/43.64 | .656/16.66 | .446/11.33 | .360/9.14 | .100/2.54 |
| 192210421 | BCL-114 | ---- | ----- | 192210420 | BCL-114-PL | ---- | ----- | --- | 1/4"/M6 | 1 AWG/50mm ² | .278/7.06 | 1.718/43.64 | .656/16.66 | .446/11.33 | .360/9.14 | .100/2.54 |
| 192210396 | BCL-1516 | ---- | ----- | 192210237 | BCL-1516-PL | ---- | ----- | --- | 5/16"/M8 | 1 AWG/50mm ² | .340/8.64 | 1.718/43.64 | .656/16.66 | .446/11.33 | .360/9.14 | .100/2.54 |
| 192210378 | BCL-138 | ---- | ----- | 192210238 | BCL-138-PL | ---- | ----- | --- | 3/8"/M9 | 1 AWG/50mm ² | .400/10.16 | 1.718/43.64 | .656/16.66 | .446/11.33 | .360/9.14 | .100/2.54 |
| 192210580 | BCL-138-WP | ---- | ----- | 192210581 | BCL-138-WP-PL | ---- | ----- | --- | 3/8"/M9 | 1 AWG/50mm ² | .400/10.16 | 1.844/46.84 | .750/19.05 | .474/12.04 | .360/9.14 | .100/2.54 |
| 192210395 | BCL-112 | ---- | ----- | 192210239 | BCL-112-PL | ---- | ----- | --- | 1/2"/M12 | 1 AWG/50mm ² | .520/13.21 | 1.844/46.84 | .750/19.05 | .474/12.04 | .360/9.14 | .100/2.54 |



- NOTE(S):
- FOR INSPECTION SIGHT HOLE, PLEASE CONSULT WITH FACTORY.
 - OTHER STUD SIZES MAY BE AVAILABLE, PLEASE CONSULT WITH FACTORY.
 - MATERIAL: COPPER
PLATING: TIN
 - MARKINGS CAN BE AT EITHER LOCATION SHOWN.
 - IF TONGUE IS TO BE BENT AT ANY ANGLE, IT MUST BE BENT AROUND A RADIUS ONE-HALF THE TONGUE THICKNESS.
 - ALL PARTS ARE RoHS COMPLIANT.

| | | | | | | | | | | | | | | | |
|---|--|-------|--|---|--|-------------------|--|---|--|------------------------------|--|----------------------------|--|------------------------|--|
| THIS DRAWING CONTAINS INFORMATION THAT IS PROPRIETARY TO MOLEX ELECTRONIC TECHNOLOGIES, LLC AND SHOULD NOT BE USED WITHOUT WRITTEN PERMISSION | | | | | | | | | | | | | | | |
| DIMENSION UNITS | | SCALE | | CURRENT REV DESC: PLATED PN TYPO/ DUPLICATE: SHOULD BE 190820062 (BCL-238-WP-PLT) | | | | | | molex | | | | | |
| IN/MM | | NTS | | | | | | | | | | | | | |
| GENERAL TOLERANCES (UNLESS SPECIFIED) | | | | EC NO: 685764 | | 2021/11/16 | | EYELET STYLE COPPER TERMINALS 4, 2, & 1 AWG LUGS | | | | | | | |
| 4 PLACES | | ± | | DRWN: DMYRICK | | 2021/11/19 | | | | | | | | | |
| 3 PLACES | | ± | | CHK'D: EJOHNSON04 | | 2021/11/19 | | PRODUCT CUSTOMER DRAWING | | | | | | | |
| 2 PLACES | | ± | | APPR: EJOHNSON04 | | 2021/11/19 | | | | | | | | | |
| 1 PLACE | | ± | | INITIAL REVISION: | | | | DOCUMENT NUMBER SD-19221-010 | | | | | | | |
| 0 PLACES | | ± | | DRWN: BE | | 2002/06/26 | | | | | | DOC TYPE PSD | | DOC PART 001 | |
| ANGULAR TOL | | ± ° | | APPR: RD | | 2002/06/26 | | REVISION C5 | | | | | | | |
| DRAFT WHERE APPLICABLE MUST REMAIN WITHIN DIMENSIONS | | | | THIRD ANGLE PROJECTION | | DRAWING C-SIZE | | SERIES 19221 | | MATERIAL NUMBER SEE CHART | | CUSTOMER GENERAL MARKET | | SHEET NUMBER 1 OF 1 | |