

AWK-3131 Series

Industrial IEEE 802.11n wireless AP/bridge/client



- > IEEE 802.11a/b/g/n compliant
- > One RJ45/SFP Gigabit combo port
- > Up to 300 Mbps data rate
- > Supports client-based Turbo Roaming
- > MIMO technology increases data throughput and range
- > -40 to 75°C operating temperature range (T models)



Introduction

The AWK-3131 3-in-1 industrial wireless AP/bridge/client meets the growing need for faster data transmission speeds by supporting IEEE 802.11n technology with a net data rate of up to 300 Mbps. The AWK-3131 is compliant with the industrial standards and approvals, covering operating temperature, power input voltage, surge, ESD and vibration. The two redundant DC power inputs increase the reliability of the power supply, and the AWK-3131 can be powered via PoE to make deployment easier. The AWK-3131 can operate on either the 2.4 or 5 GHz bands and is backwards-compatible with existing 802.11a/b/g deployments to future-proof your wireless investments.

Improved Higher Data Rate and Bandwidth

- High-speed wireless connectivity with up to 300 Mbps data rate
- MIMO technology to improve the capability of transmitting and receiving multiple data streams
- Increased channel width with channel bonding technology

Specifications for Industrial-grade Applications

- Industrial-grade QoS and VLAN for efficient data traffic management
- Integrated DI/DO for on-site monitoring and warnings
- Signal strength LEDs for easy deployment and antenna alignment

Specifications

WLAN Interface

Standards:

- IEEE 802.11a/b/g/n for Wireless LAN
- IEEE 802.11i for Wireless Security
- IEEE 802.3 for 10BaseT
- IEEE 802.3u for 100BaseT(X)
- IEEE 802.3ab for 1000BaseT
- IEEE 802.3af for Power-over-Ethernet
- IEEE 802.1D for Spanning Tree Protocol
- IEEE 802.1w for Rapid STP
- IEEE 802.1Q for VLAN

Spread Spectrum and Modulation (typical):

- DSSS with DBPSK, DQPSK, CCK
- OFDM with BPSK, QPSK, 16QAM, 64QAM
- 802.11b: CCK @ 11/5.5 Mbps, DQPSK @ 2 Mbps, DBPSK @ 11 Mbps
- 802.11a/g: 64QAM @ 54/48 Mbps, 16QAM @ 36/24 Mbps, QPSK @ 18/12 Mbps, BPSK @ 9/6 Mbps
- 802.11n: 64QAM @ 300 Mbps to BPSK @ 6.5 Mbps (multiple rates supported)

Operating Channels (central frequency):

- US:
 - 2.412 to 2.462 GHz (11 channels)
 - 5.18 to 5.24 GHz (4 channels)
- EU:
 - 2.412 to 2.472 GHz (13 channels)
 - 5.18 to 5.24 GHz (4 channels)
- JP:
 - 2.412 to 2.472 GHz (13 channels, OFDM)
 - 2.412 to 2.484 GHz (14 channels, DSSS)
 - 5.18 to 5.24 GHz (4 channels for W52)

Security:

- SSID broadcast enable/disable
- Firewall for MAC/IP/Protocol/Port-based filtering
- 64-bit and 128-bit WEP encryption, WPA /WPA2-Personal and Enterprise (IEEE 802.1X/RADIUS, TKIP and AES)

Transmission Rates:

- 802.11b: 1, 2, 5.5, 11 Mbps
- 802.11a/g: 6, 9, 12, 18, 24, 36, 48, 54 Mbps
- 802.11n: 6.5 to 300 Mbps (multiple rates supported)

TX Transmit Power:

- 802.11b:
 - 1 to 11 Mbps: Typ. 18 dBm (± 1.5 dBm)
- 802.11g:
 - 6 to 24 Mbps: Typ. 18 dBm (± 1.5 dBm)
 - 36 to 48 Mbps: Typ. 17 dBm (± 1.5 dBm)
 - 54 Mbps: Typ. 15 dBm (± 1.5 dBm)
- 802.11a:
 - 6 to 24 Mbps: Typ. 17 dBm (± 1.5 dBm)
 - 36 to 48 Mbps: Typ. 16 dBm (± 1.5 dBm)
 - 54 Mbps: Typ. 14 dBm (± 1.5 dBm)

RX Sensitivity:

- 802.11b:
 - 92 dBm @ 1 Mbps, -90 dBm @ 2 Mbps, -88 dBm @ 5.5 Mbps, -84 dBm @ 11 Mbps
- 802.11g:
 - 87 dBm @ 6 Mbps, -86 dBm @ 9 Mbps, -85 dBm @ 12 Mbps, -82 dBm @ 18 Mbps, -80 dBm @ 24 Mbps, -76 dBm @ 36 Mbps, -72 dBm @ 48 Mbps, -70 dBm @ 54 Mbps
- 802.11a:

-87 dBm @ 6 Mbps, -86 dBm @ 9 Mbps, -85 dBm @ 12 Mbps, -82 dBm @ 18 Mbps, -80 dBm @ 24 Mbps, -76 dBm @ 36 Mbps, -72 dBm @ 48 Mbps, -70 dBm @ 54 Mbps

TX Transmit Power MIMO (per connector):

802.11a/n (20/40 MHz):
 MCS15 20 MHz: Typ. 13 dBm (± 1.5 dBm)
 802.11g/n (20 MHz):
 MCS15 20 MHz: Typ. 14 dBm (± 1.5 dBm)

RX Sensitivity MIMO:

802.11a/n:
 -68 dBm @ MCS15 40 MHz, -69 dBm @ MCS15 20 MHz, -70 dBm @ MCS7 40 MHz, -71 dBm @ MCS7 20 MHz
 802.11g/n:
 -69 dBm @ MCS15 20 MHz, -71 dBm @ MCS7 20 MHz

Protocol Support

General Protocols: Proxy ARP, DNS, HTTP, HTTPS, IP, ICMP, SNMP, TCP, UDP, RADIUS, SNMP, PPPoE, DHCP

AP-only Protocols: ARP, BOOTP, DHCP, STP/RSTP (IEEE 802.1D/w)

Interface

Default Antennas: 2 dual-band omni-directional antennas, 2 dBi, RP-SMA (male)

Connector for External Antennas: RP-SMA (female)

Console Port: RS-232 (RJ45-type)

Reset: Present

LED Indicators: PWR1, PWR2, PoE, FAULT, STATE, signal strength, WLAN, LAN

Alarm Contact (digital output): 1 relay output with current carrying capacity of 1 A @ 24 VDC

Digital Inputs: 2 electrically isolated inputs

- +13 to +30 V for state "1"
- +3 to -30 V for state "0"
- Max. input current: 8 mA

RJ45 Port: 1, 10/100/1000BaseT(X) auto negotiation speed, F/H duplex mode, and auto MDI/MDI-X connection

Fiber Port: 1, 1000Base SFP slot

Physical Characteristics

Housing: Metal, IP30 protection

Weight: 970 g

Dimensions: 54 x 135 x 105 mm (2.1 x 5.3 x 4.1 in)

Installation: DIN-Rail mounting (standard), wall mounting (optional)

Environmental Limits

Operating Temperature:

Standard Models: -25 to 60°C (-13 to 140°F)

Wide Temp. Models: -40 to 75°C (-40 to 167°F)

Storage Temperature: -40 to 85°C (-40 to 185°F)

Ambient Relative Humidity: 5% to 95% (non-condensing)

Power Requirements

Input Voltage: 12 to 48 VDC, redundant dual DC power inputs or 48 VDC Power-over-Ethernet (IEEE 802.3af compliant)

Connector: 10-pin removable terminal block

Power Consumption: 12 to 48 VDC, 700 mA (max.)

Reverse Polarity Protection: Present

Standards and Certifications

Safety: UL 60950-1, EN 60950-1

EMC: EN 301 489-1/17, FCC Part 15 Subpart B, EN 55022/55024

Radio: EN 300 328, EN 301 893, TELEC, FCC ID SLE-WAPN001

Note: Please check Moxa's website for the most up-to-date certification status.

Reliability

MTBF (mean time between failures): 388,581 hrs

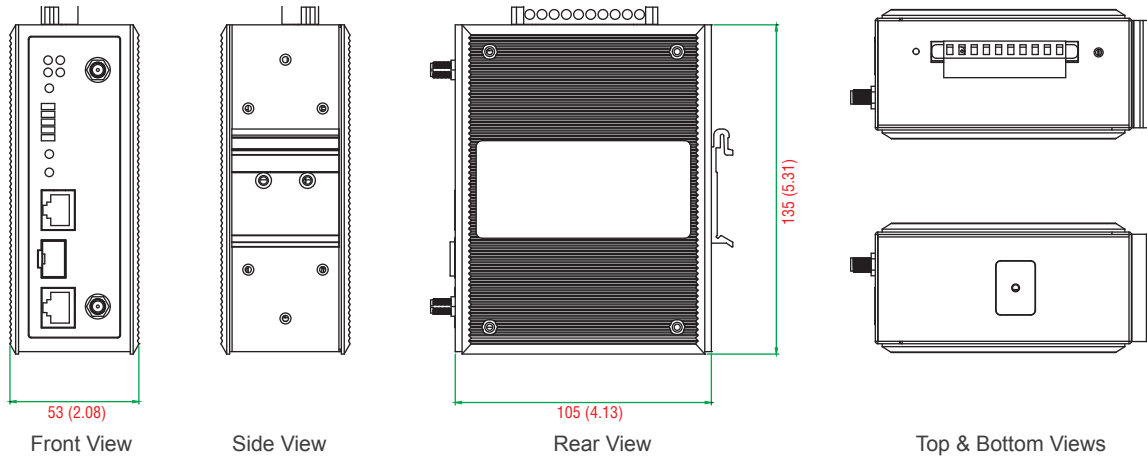
Warranty

Warranty Period: 5 years

Details: See www.moxa.com/warranty

Dimensions

Unit: mm (inch)



Ordering Information

Available Models

AWK-3131-US: IEEE 802.11a/b/g/n wireless AP/bridge/client, US band

AWK-3131-JP: IEEE 802.11a/b/g/n wireless AP/bridge/client, JP band

AWK-3131-US-T: IEEE 802.11a/b/g/n wireless AP/bridge/client, US band, -40 to 75°C operating temperature

AWK-3131-JP-T: IEEE 802.11a/b/g/n wireless AP/bridge/client, JP band, -40 to 75°C operating temperature

Note: Please visit Moxa's website for a complete list of optional wireless accessories and antennas available for Moxa's wireless products.

AWK-3131-EU: IEEE 802.11a/b/g/n wireless AP/bridge/client, EU band

AWK-3131-EU-T: IEEE 802.11a/b/g/n wireless AP/bridge/client, EU band, -40 to 75°C operating temperature

Package Checklist

- AWK-3131 wireless AP/bridge/client
- 2 dual-band omni-directional antennas (2dBi, RP-SMA, 2.4/5 GHz)
- DIN-rail kit
- 2 plastic RJ45 protective caps
- 1 plastic SFP protective cap
- Cable holder with one screw
- Documentation and software CD
- Quick installation guide (printed)
- Warranty card