

***RoHS Recast Compliant***

# **M.2 2280 Flash Drive**

***P201-M Product Specifications***

**October 21, 2015**

*Version 1.4*



***Apacer Technology Inc.***

1F, No.32, Zhongcheng Rd., Tucheng Dist., New Taipei City, Taiwan, R.O.C

Tel: +886-2-2267-8000 Fax: +886-2-2267-2261

[www.apacer.com](http://www.apacer.com)

## Features:

- **Standard SATA Interface Compliance**
  - Serial ATA Revision 3.2 compliance
  - SATA 6.0 Gbps interface
  - ATA-8 command set
- **Capacities**
  - 16, 32, 64, 128, 256 GB
- **Performance\***
  - Burst read/write: 600 MB/sec
  - Sustained read: up to 515 MB/sec
  - Sustained write: up to 180 MB/sec
- **Flash Management**
  - Built-in hardware ECC
  - Static/dynamic wear-leveling
  - Flash bad-block management
  - S.M.A.R.T.
  - Power Failure Management
  - ATA Secure Erase
  - TRIM
- **NAND Flash Type: MLC**
- **Endurance**
  - 16GB: 14 TBW
  - 32GB: 28 TBW
  - 64GB: 57 TBW
  - 128GB: 114 TBW
  - 256GB: 228 TBW
- **Temperature Ranges**
  - Operating:
    - Standard :0°C to 70°C
    - Extended: -40°C to 85°C
  - Storage: -40°C to 85°C
- **Supply Voltage**
  - 3.3 V ± 5%
- **Power Consumption (typical)\***
  - Active mode: 600 mA
  - Idle mode: 90 mA
- **Connector Type**
  - 75-pin SATA-based M.2 module pinout
- **Form Factor**
  - M.2 2280 form factor
  - Dimensions: 80.00x22.00x3.80, unit: mm
- **Shock & Vibration\*\*\***
  - Shock:1,500 G
  - Vibration: 15 G
- **MTBF: >2,000,000 hours**
- **SATA Power Management**
- **RoHS Recast Compliant (complies with 2011/65/EU standard)**
- **Device Sleep Mode (optional)**

\*Varies from capacities. The values for performances and power consumptions presented are typical and may vary depending on flash configurations or platform settings. The term idle refers to the standby state of the device.

\*\*Non-operating

---

## Table of Contents

|   |           |
|---|-----------|
| <b>1. General Description .....</b>         | <b>3</b>  |
| <b>2. Pin Assignments.....</b>              | <b>3</b>  |
| <b>3. Product Specifications.....</b>       | <b>6</b>  |
| 3.1 Capacity.....                           | 6         |
| 3.2 Performance .....                       | 6         |
| 3.3 Environmental Specifications .....      | 7         |
| 3.4 Mean Time Between Failures (MTBF) ..... | 7         |
| 3.5 Certification and Compliance .....      | 7         |
| <b>4. Flash Management .....</b>            | <b>8</b>  |
| 4.1 Error Correction/Detection.....         | 8         |
| 4.2 Bad Block Management .....              | 8         |
| 4.3 Wear Leveling.....                      | 8         |
| 4.4 Power Failure Management .....          | 8         |
| 4.5 ATA Secure Erase.....                   | 8         |
| 4.6 TRIM.....                               | 9         |
| 4.7 SATA Power Management.....              | 9         |
| 4.8 Endurance .....                         | 10        |
| <b>5. Software Interface .....</b>          | <b>11</b> |
| 5.1 Command Set.....                        | 11        |
| 5.2 S.M.A.R.T. ....                         | 12        |
| <b>6. Electrical Specification .....</b>    | <b>13</b> |
| <b>7. Physical Characteristics.....</b>     | <b>14</b> |
| <b>8. Product Ordering Information.....</b> | <b>16</b> |

## 1. General Description

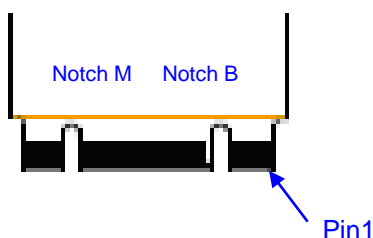
Apacer's P201-M is the next generation modularized Solid State Drive (SSD) with the shape of all new M.2 form factor, aimed to be the more suitable for mobile and compact computers with standard width at only 22.00 mm. P201-M appears in M.2 2280 mechanical dimensions and is believed to be the leading add-in storage solution for future host computing systems.

The M.2 SSD is designed with SATA-based connector pinouts, providing full compliance with the latest SATA Revision 3.2 interface specifications. Aside from SATA compliance, P201-M delivers exceptional performance and power efficiency. On the other hand, the extreme thin and light form factor makes P201-M the ideal choice for mobile computing systems, which appears to be the trend in near future.

Regarding reliability, P201-M is built with a powerful SATA controller that supports on-the-module ECC as well as efficient wear leveling scheme. In terms of power efficiency, P201-M is compliant with SATA 6.0 Gbps interface standard so that it can operate on SATA power management modes, which greatly save on power consumption.

## 2. Pin Assignments

This connector does not support hot plug capability. There are a total of 75 pins. 12 pin locations are used for mechanical key locations; this allows such a module to plug into both Key B and Key M connectors.



| Pin | Type              | Description  |
|-----|-------------------|--|
| 1   | CONFIG_3          | Ground (according to M.2 configurations for SSD-SATA definition) |
| 2   | 3.3V              | Supply Pin, 3.3V   |
| 3   | GND               | Ground   |
| 4   | 3.3V              | Supply pin, 3.3V   |
| 5   | No connect        | No connect   |
| 6   | Not available     | No connect (used for other purposes)                             |
| 7   | Not available     | No connect (used for other purposes)                             |
| 8   | Not available     | No connect (used for other purposes)                             |
| 9   | No connect        | No connect   |
| 10  | DAS/DSS           | Device Activity Signal/Disable Staggered Spin-up                 |
| 11  | No connect        | No connect (used for other purposes)                             |
| 12  | (removed for key) | Mechanical notch B   |

## M.2 2280 Flash Drive APM2T80P201xxxGAN-XTMX

|    |                   |   |
|----|-------------------|---|
| 13 | (removed for key) | Mechanical notch B  |
| 14 | (removed for key) | Mechanical notch B  |
| 15 | (removed for key) | Mechanical notch B  |
| 16 | (removed for key) | Mechanical notch B  |
| 17 | (removed for key) | Mechanical notch B  |
| 18 | (removed for key) | Mechanical notch B  |
| 19 | (removed for key) | Mechanical notch B  |
| 20 | Not available     | No connect (used for other purposes)  |
| 21 | CONFIG_0          | Ground (according to M.2 configurations for SSD-SATA definition)  |
| 22 | Not available     | No connect (used for other purposes)  |
| 23 | Not available     | No connect (used for other purposes)  |
| 24 | Not available     | No connect (used for other purposes)  |
| 25 | Not available     | No connect (used for other purposes)  |
| 26 | Not available     | No connect (used for other purposes)  |
| 27 | GND               | Ground  |
| 28 | Not available     | No connect (used for other purposes)  |
| 29 | PERn1             | Not used  |
| 30 | Not available     | No connect (used for other purposes)  |
| 31 | PERp1             | Not used  |
| 32 | Not available     | No connect (used for other purposes)  |
| 33 | GND               | Ground  |
| 34 | Not available     | No connect (used for other purposes)  |
| 35 | PETn1             | Not used  |
| 36 | Not available     | No connect (used for other purposes)  |
| 37 | PETp1             | Not used  |
| 38 | DEVSLP            | Device Sleep, input. If driven high the host is informing the SSD to enter a low power state (optional) |
| 39 | GND               | Ground  |
| 40 | Not available     | No connect (used for other purposes)  |
| 41 | SATA-Rx+          | Host receiver differential signal pair  |
| 42 | Not available     | No connect (used for other purposes)  |
| 43 | SATA-Rx-          | Host receiver differential signal pair  |
| 44 | Not available     | No connect (used for other purposes)  |
| 45 | GND               | Ground  |
| 46 | Not available     | No connect (used for other purposes)  |
| 47 | SATA-Tx-          | Host transmitter differential pair  |
| 48 | Not available     | No connect (used for other purposes)  |

**M.2 2280 Flash Drive**  
**APM2T80P201xxxGAN-XTMX**

|    |                   |  |
|----|-------------------|--|
| 49 | SATA-Tx+          | Host transmitter differential pair                                 |
| 50 | PERST#            | Not used   |
| 51 | GND               | Ground   |
| 52 | CLKREQ#           | Not used   |
| 53 | REFCLKN           | Not used   |
| 54 | PEWAKE#           | Not used   |
| 55 | REFCLKP           | Not used   |
| 56 | MFG1              | Manufacturing pin. Use determined by vendor (no connect on a host) |
| 57 | GND               | Ground   |
| 58 | MFG2              | Manufacturing pin. Use determined by vendor (no connect on a host) |
| 59 | (removed for key) | Mechanical notch M   |
| 60 | (removed for key) | Mechanical notch M   |
| 61 | (removed for key) | Mechanical notch M   |
| 62 | (removed for key) | Mechanical notch M   |
| 63 | (removed for key) | Mechanical notch M   |
| 64 | (removed for key) | Mechanical notch M   |
| 65 | (removed for key) | Mechanical notch M   |
| 66 | (removed for key) | Mechanical notch M   |
| 67 | Not available     | No connect (used for other purposes)                               |
| 68 | SUSCLK            | Not used   |
| 69 | CONFIG_1          | Ground   |
| 70 | 3.3V              | Supply pin, 3.3V   |
| 71 | GND               | Ground   |
| 72 | 3.3V              | Supply pin, 3.3V   |
| 73 | GND               | Ground   |
| 74 | 3.3V              | Supply pin, 3.3V   |
| 75 | CONFIG_2          | Ground   |

## 3. Product Specifications

### 3.1 Capacity

Capacity specification of P201-M is available as shown in Table 3-1. It lists the specific capacity and the default numbers of heads, sectors and cylinders for each product line.

**Table 3-1:** Capacity specifications

| Capacity | Total bytes*    | Cylinders | Heads | Sectors | Max LBA     |
|----------|-----------------|-----------|-------|---------|-------------|
| 16 GB    | 16,013,942,784  | 16,383    | 16    | 63      | 31,277,232  |
| 32 GB    | 32,017,047,552  | 16,383    | 16    | 63      | 62,533,296  |
| 64 GB    | 64,023,257,088  | 16,383    | 16    | 63      | 125,045,424 |
| 128 GB   | 128,035,676,160 | 16,383    | 16    | 63      | 250,069,680 |
| 256 GB   | 256,060,514,304 | 16,383    | 16    | 63      | 500,118,192 |

\*Display of total bytes varies from file systems, which means not all of the bytes can be used for storage.

\*\*Notes: 1 GB = 1,000,000,000 bytes; 1 sector = 512 bytes.

LBA count addressed in the table above indicates total user storage capacity and will remain the same throughout the lifespan of the device. However, the total usable capacity of the SSD is most likely to be less than the total physical capacity because a small portion of the capacity is reserved for device maintenance usages.

### 3.2 Performance

Performances of P201-M are listed below in table 3-2.

**Table 3-2:** Performance

| Capacity<br>Performance       | 16 GB | 32 GB | 64 GB | 128 GB | 256 GB |
|-------------------------------|-------|-------|-------|--------|--------|
| <b>Sustained read (MB/s)</b>  | 300   | 510   | 515   | 515    | 515    |
| <b>Sustained write (MB/s)</b> | 170   | 180   | 180   | 180    | 180    |

Note: Results were measured by CrystalDiskMark and may differ from various flash configurations or host system setting

### 3.3 Environmental Specifications

Environmental specification of P201-M series follows MIL-STD-810 standards as shown in Table 3-3.

Table 3-3 P201-M environmental specifications

| Item                      | Specification  |
|---------------------------|--|
| Operating temperature     | 0°C ~70°C (standard) ; -40°C to 85°C(extended)   |
| Non-operating temperature | -40°C ~85°C  |
| Operating humidity        | 40°C, 90%RH  |
| Non-operating humidity    | 40°C, 93%RH  |
| Vibration (Non-operating) | Frequency/Displacement: 20Hz~80Hz/1.52mm<br>Frequency/Acceleration: 80Hz~2000Hz/20G<br>X, Y, Z axis/60mins |
| shock (Non-operating)     | 1500G, 0.5ms   |
| Drop (Non-operating)      | 80cm free fall, 6 face of each unit  |
| Bending (non-operating)   | ≥20N, hold 1min/5times   |
| Torque (non-operating)    | 0.5N-m or ±2.5 deg, hold 1min/5times   |
| ESD (Electrostatic)       | Passed (at relative temp/humidity: 24°C, 49%RH)  |

### 3.4 Mean Time Between Failures (MTBF)

Mean Time Between Failures (MTBF) is predicted based on reliability data for the individual components in P201-M. The prediction result for P201-M is more than 2,000,000 hours.

Notes about the MTBF:

The MTBF is predicated and calculated based on “Telcordia Technologies Special Report, SR-332, Issue 2” method.

### 3.5 Certification and Compliance

P201-M complies with the following standards:

- CE: EN55022
- FCC :CISPR22
- BSMI 13438
- RoHS Recast



---

## 4. Flash Management

### 4.1 Error Correction/Detection

---

P201-M implements a hardware ECC scheme, based on the BCH algorithm. It can detect and correct up to 72 bits error in 1K bytes.

### 4.2 Bad Block Management

---

Current production technology is unable to guarantee total reliability of NAND flash memory array. When a flash memory device leaves factory, it comes with a minimal number of initial bad blocks during production or out-of-factory as there is no currently known technology that produce flash chips free of bad blocks. In addition, bad blocks may develop during program/erase cycles. When host performs program/erase command on a block, bad block may appear in Status Register. Since bad blocks are inevitable, the solution is to keep them in control. Apacer flash devices are programmed with ECC, block mapping technique and S.M.A.R.T to reduce invalidity or error. Once bad blocks are detected, data in those blocks will be transferred to free blocks and error will be corrected by designated algorithms.

### 4.3 Wear Leveling

---

Flash memory devices differ from Hard Disk Drives (HDDs) in terms of how blocks are utilized. For HDDs, when a change is made to stored data, like erase or update, the controller mechanism on HDDs will perform overwrites on blocks. Unlike HDDs, flash blocks cannot be overwritten and each P/E cycle wears down the lifespan of blocks gradually. Repeatedly program/erase cycles performed on the same memory cells will eventually cause some blocks to age faster than others. This would bring flash storages to their end of service term sooner. Wear leveling is an important mechanism that level out the wearing of blocks so that the wearing-down of blocks can be almost evenly distributed. This will increase the lifespan of SSDs. Commonly used wear leveling types are Static and Dynamic.

### 4.4 Power Failure Management

---

Power Failure Management plays a crucial role when experiencing unstable power supply. Power disruption may occur when users are storing data into the SSD. In this urgent situation, the controller would run multiple write-to-flash cycles to store the metadata for later block rebuilding. This urgent operation requires about several milliseconds to get it done. At the next power up, the firmware will perform a status tracking to retrieve the mapping table and resume previously programmed NAND blocks to check if there is any incompleteness of transmission.

Note: The controller unit of this product model is designed with a DRAM as a write cache for improved performance and data efficiency. Though unlikely to happen in most cases, the data cached in the volatile DRAM might be potentially affected if a sudden power loss takes place before the cached data is flushed into non-volatile NAND flash memory.

### 4.5 ATA Secure Erase

---

ATA Secure Erase is an ATA disk purging command currently embedded in most of the storage drives. Defined in ATA specifications, (ATA) Secure Erase is part of Security Feature Set that allows storage drives to erase all user data areas. The erase process usually runs on the firmware level as most of the ATA-based storage media currently in the market are built-in with this command. ATA Secure Erase can securely wipe out the user data in the drive and protects it from malicious attack.

---

## 4.6 TRIM

---

TRIM, though in capital letters usually, is a memory computation command rather than an abbreviation. It is mainly a SATA command that enables the operating system to inform the SSD (Solid State Drive) which blocks of previously stored data are no longer valid, due to erases by the host or operating system, such as file deletions or disk formatting. Once notified, SSD will begin the discard of the invalid LBAs and retain more space for itself, in fact, the discarded is no longer recoverable.

When an LBA is replaced by the operating system, as with overwrite of a file, the SSD is informed that the originally occupied LBA is determined as no longer in use or invalid. The SSD will not save those blocks in garbage collected sectors. Noticeably, a file deletion command by host or operating system never actually erases the actual content, rather, just the file is marked as deleted. This issue is even specifically noticeable for flash based memory devices, such as SSDs. In fact, an SSD will keep garbage collecting the invalid, previously occupied LBAs, if it is not informed that these LBAs can be erased. Thus, the SSD would experience a significant performance downfall.

## 4.7 SATA Power Management

---

By complying with SATA 6.0 Gb/s specifications, the SSD supports the following SATA power saving modes:

- ACTIVE: PHY ready, full power, Tx & Rx operational
- PARTIAL: Reduces power, resumes in under 10  $\mu$ s (microseconds)
- SLUMBER: Reduces power, resumes in under 10 ms (milliseconds)
- HIPM: Host-Initiated Power Management
- DIPM: Device-Initiated Power Management
- Device Sleep (DevSleep or DEVSLP): PHY powered down; power consumption  $\leq$  5 mW; host assertion time  $\leq$  10 ms; exit timeout from this state  $\leq$  20 ms (unless specified otherwise in SATA Identify Device Log).

Note:

1. The behaviors of power management features would depend on host/device settings.
2. Device Sleep mode is optional, depending on product ordering selections.

---

## 4.8 Endurance

---

The endurance of a storage device is predicted by TeraBytes Written based on several factors related to usage, such as the amount of data written into the drive, block management conditions, and daily workload for the drive. Thus, key factors, such as Write Amplifications and the number of P/E cycles, can influence the lifespan of the drive.

| Capacity | TeraBytes Written |
|----------|-------------------|
| 16 GB    | 14                |
| 32 GB    | 28                |
| 64 GB    | 57                |
| 128 GB   | 114               |
| 256 GB   | 228               |

Notes:

- The measurement assumes the data written to the SSD for test is under a typical and constant rate.
- The measurement follows the standard metric: 1 TB (Terabyte) = 1000 GB.
- This estimation complies with JEDEC JESD-219, enterprise endurance workload of random data with payload size distribution.

## 5. Software Interface

### 5.1 Command Set

This section defines the software requirements and the format of the commands the host sends to P201-M. Commands are issued to P201-M by loading the required registers in the command block with the supplied parameters, and then writing the command code to the Command register.

**Table 6-1:** Command set

| Command                           | Code    | Command                 | Code |
|-----------------------------------|---------|-------------------------|------|
| Data Set Management               | 06h     | CHECK POWER MODE        | 98h  |
| Recalibrate                       | 10h-1Fh | SLEEP                   | 99h  |
| Read Sectors                      | 20h     | SMART                   | B0h  |
| Read Sectors without Retry        | 21h     | DEVICE CONFIGURATION    | B1h  |
| Read Sectors EXT                  | 24h     | Read Multiple           | C4h  |
| Read DMA EXT                      | 25h     | Write Multiple          | C5h  |
| Read Native Max Address EXT       | 27h     | Set Multiple Mode       | C6h  |
| Read Multiple EXT                 | 29h     | Read DMA                | C8h  |
| Read Log EXT                      | 2Fh     | Read DMA without Retry  | C9h  |
| Write Sectors                     | 30h     | Write DMA               | CAh  |
| Write Sectors without Retry       | 31h     | Write DMA without Retry | CBh  |
| Write Sectors EXT                 | 34h     | Write Multiple FUA EXT  | CEh  |
| Write DMA EXT                     | 35h     | Standby Immediate       | E0h  |
| Set Native Max Address EXT        | 37h     | Idle Immediate          | E1h  |
| CFA WRITE SECTORS WITHOUT ERASE   | 38h     | Standby                 | E2h  |
| Write Multiple EXT                | 39h     | IDLE                    | E3h  |
| Write DMA FUA EXT                 | 3Dh     | Read Buffer             | E4h  |
| Write Long EXT                    | 3Fh     | Check Power Mode        | E5h  |
| Read Verify Sectors               | 40h     | Sleep                   | E6h  |
| Read Verify Sectors without Retry | 41h     | Flush Cache             | E7h  |
| Read Verify Sectors EXT           | 42h     | Write Buffer            | E8h  |
| WRITE UNCORRECTABLE EXT           | 45h     | Flush Cache EXT         | EAh  |
| Read FPDMA Queued                 | 60h     | Identify Device         | ECh  |
| Write FPDMA Queued                | 61h     | Set Features            | EFh  |
| Seek                              | 70h-71h | Security Set Password   | F1h  |
| Execute Device Diagnostic         | 90h     | Security Unlock         | F2h  |
| Initialize Device Parameters      | 91h     | Security Erase Prepare  | F3h  |
| Download Microcode                | 92h     | Security Erase Unit     | F4h  |

## M.2 2280 Flash Drive APM2T80P201xxxGAN-XTMX



---

|                        |     |                           |     |
|------------------------|-----|---------------------------|-----|
| DOWNLOAD MICROCODE DMA | 93h | Security Freeze Lock      | F5h |
| STANDBY IMMEDIATE      | 94h | Security Disable Password | F6h |
| IDLE IMMEDIATE         | 95h | Read Native Max Address   | F8  |
| STANDBY                | 96h | Set Max Address           | F9  |
| IDLE                   | 97h |                           |     |

### 5.2 S.M.A.R.T.

---

SMART, an acronym for Self-Monitoring, Analysis and Reporting Technology, is an open standard that allows a hard disk drive to automatically detect its health and report potential failures. When a failure is recorded by SMART, users can choose to replace the drive to prevent unexpected outage or data loss. Moreover, SMART can inform users of impending failures while there is still time to perform proactive actions, such as copy data to another device

## 6. Electrical Specification

**Table 6-1:** Operating range

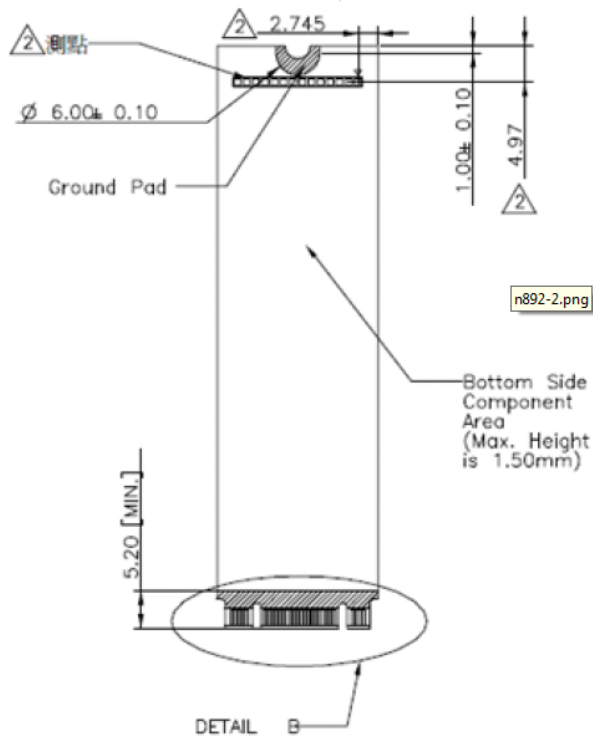
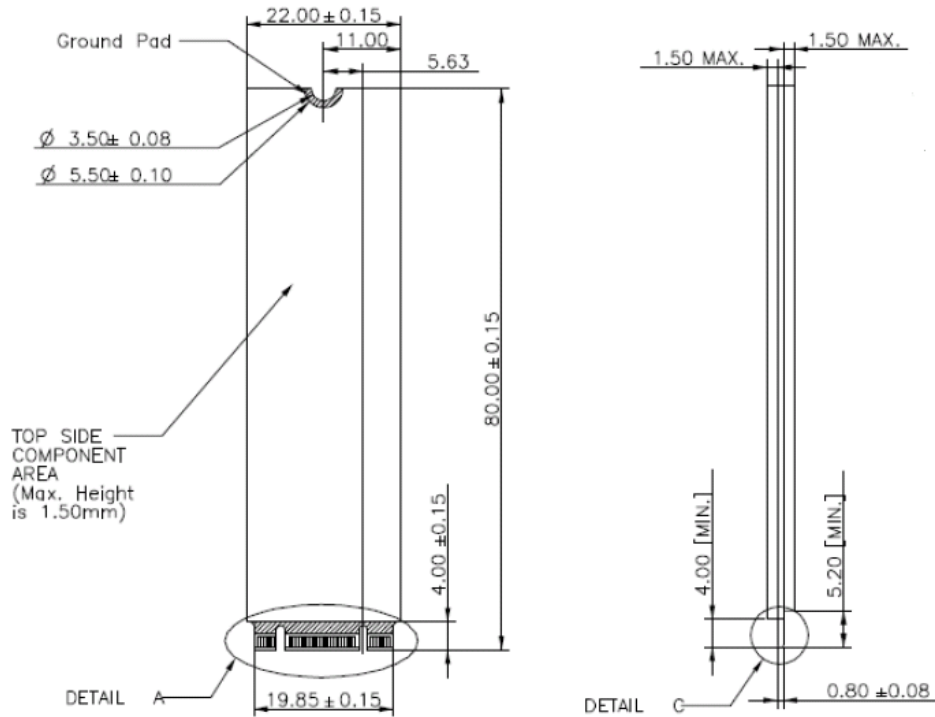
|                            |  |
|----------------------------|--|
| <b>Ambient Temperature</b> | 0°C to 70°C (standard)<br>-40°C to 85°C (extended) |
| <b>Supply Voltage</b>      | 3.3V±5% (3.135-3.465V)                             |

**Table 6-2:** Typical power consumption

| <b>Capacity</b> | <b>16 GB</b> | <b>32 GB</b> | <b>64 GB</b> | <b>128 GB</b> | <b>256 GB</b> |
|-----------------|--------------|--------------|--------------|---------------|---------------|
| <b>Modes</b>    |              |              |              |               |               |
| Active (mA)     | 355          | 470          | 445          | 535           | 600           |
| Idle (mA)       | 85           | 85           | 90           | 90            | 90            |

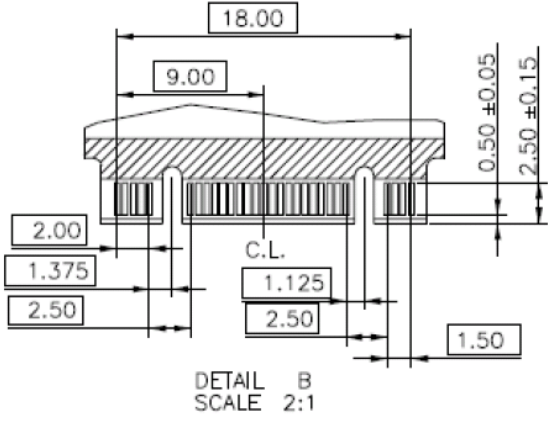
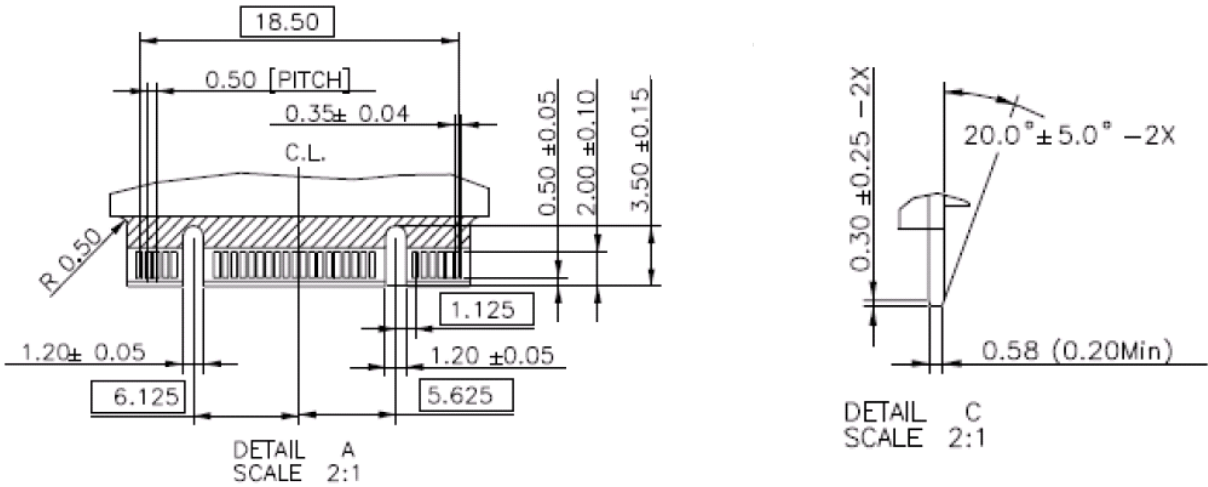
Note: Results may differ from various flash configurations or host system setting

## 7. Physical Characteristics



Unit: mm  
 Tolerance:  $\pm 0.2$  mm

M.2 2280 Flash Drive  
**APM2T80P201xxxGAN-XTMX**

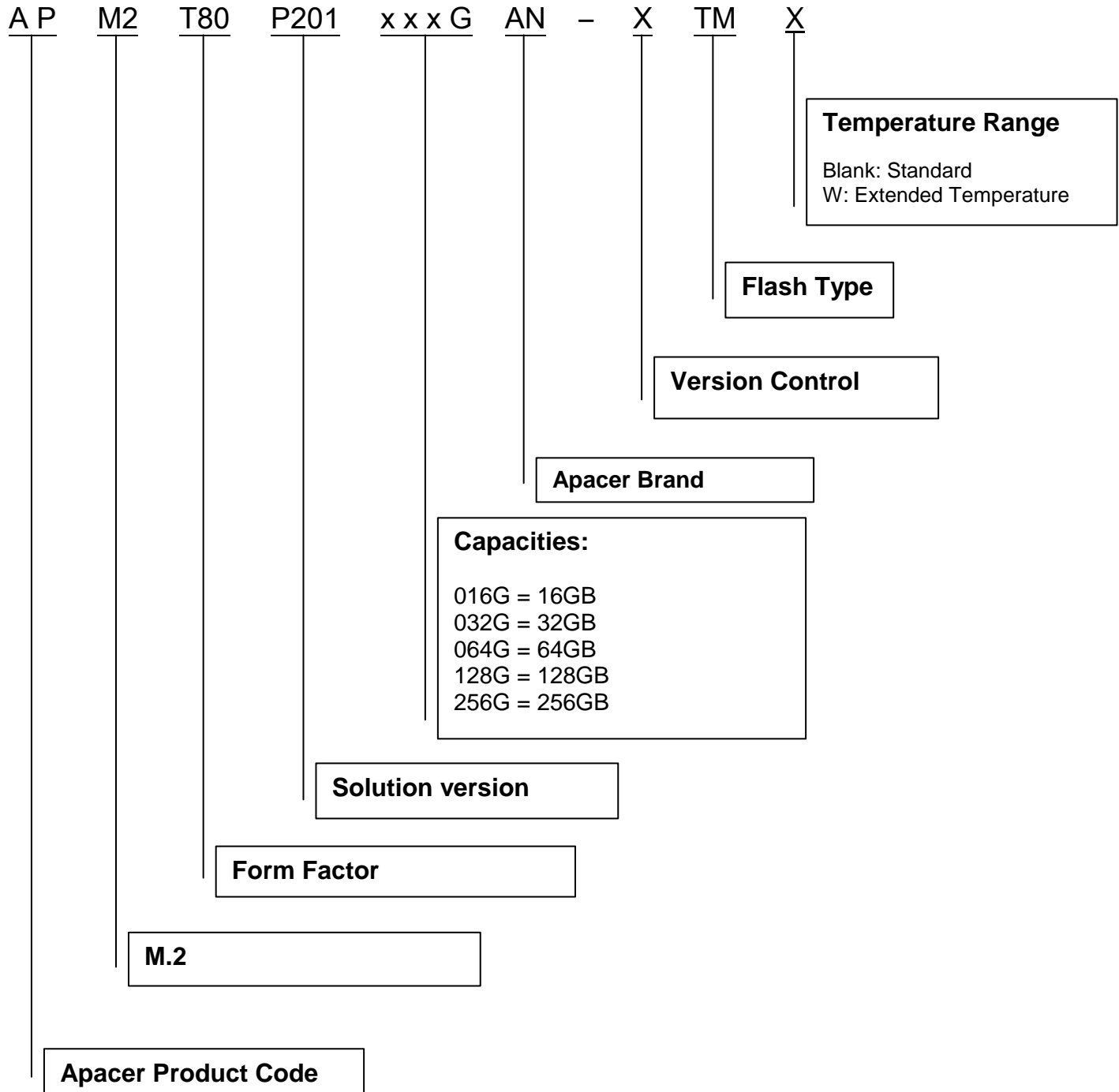


Unit: mm  
 Tolerance: ±0.2 mm



## 8. Product Ordering Information

### 8.1 Product Code Designations



---

## 8.2 Valid Combinations

---

### 8.2.1 Standard Temperature

| Capacity | No DEVSLP             | DEVSLP                |
|----------|-----------------------|-----------------------|
| 16GB     | APM2T80P201016GAN-GTM | APM2T80P201016GAN-HTM |
| 32GB     | APM2T80P201032GAN-GTM | APM2T80P201032GAN-HTM |
| 64GB     | APM2T80P201064GAN-GTM | APM2T80P201064GAN-HTM |
| 128GB    | APM2T80P201128GAN-GTM | APM2T80P201128GAN-HTM |
| 256GB    | APM2T80P201256GAN-GTM | APM2T80P201256GAN-HTM |

### 8.2.2 Extended Temperature

| Capacity | No DEVSLP              | DEVSLP                 |
|----------|------------------------|------------------------|
| 16GB     | APM2T80P201016GAN-GTMW | APM2T80P201016GAN-HTMW |
| 32GB     | APM2T80P201032GAN-GTMW | APM2T80P201032GAN-HTMW |
| 64GB     | APM2T80P201064GAN-GTMW | APM2T80P201064GAN-HTMW |
| 128GB    | APM2T80P201128GAN-GTMW | APM2T80P201128GAN-HTMW |
| 256GB    | APM2T80P201256GAN-GTMW | APM2T80P201256GAN-HTMW |

**Note:** Valid combinations are those products in mass production or will be in mass production. Consult your Apacer sales representative to confirm availability of valid combinations and to determine availability of new combinations.

---

## Revision History

| Revision | Date       | Description  | Remark |
|----------|------------|--|--------|
| 1.0      | 10/28/2014 | Official release   |        |
| 1.1      | 12/23/2014 | Updated power consumption specification  |        |
| 1.2      | 07/07/2015 | Add endurance information  |        |
| 1.3      | 07/08/2015 | - Added extended temp. product support<br>- Revised product ordering information due to FW change(22A) |        |
| 1.4      | 10/21/2015 | Revised product ordering information due to FW change  |        |

---

## Global Presence

|                              |   |
|------------------------------|---|
| <b>Taiwan (Headquarters)</b> | <b>Apacer Technology Inc.</b><br>1F., No.32, Zhongcheng Rd., Tucheng Dist.,<br>New Taipei City 236, Taiwan R.O.C.<br>Tel: 886-2-2267-8000<br>Fax: 886-2-2267-2261<br><a href="mailto:amtsales@apacer.com">amtsales@apacer.com</a>   |
| <b>U.S.A.</b>                | <b>Apacer Memory America, Inc.</b><br>46732 Lakeview Blvd., Fremont, CA 94538<br>Tel: 1-408-518-8699<br>Fax: 1-510-249-9568<br><a href="mailto:sa@apacerus.com">sa@apacerus.com</a>   |
| <b>Japan</b>                 | <b>Apacer Technology Corp.</b><br>5F, Matsura Bldg., Shiba, Minato-Ku<br>Tokyo, 105-0014, Japan<br>Tel: 81-3-5419-2668<br>Fax: 81-3-5419-0018<br><a href="mailto:jpservices@apacer.com">jpservices@apacer.com</a>   |
| <b>Europe</b>                | <b>Apacer Technology B.V.</b><br>Science Park Eindhoven 5051 5692 EB Son,<br>The Netherlands<br>Tel: 31-40-267-0000<br>Fax: 31-40-267-0000#6199<br><a href="mailto:sales@apacer.nl">sales@apacer.nl</a>   |
| <b>China</b>                 | <b>Apacer Electronic (Shanghai) Co., Ltd</b><br>Room D, 22/FL, No.2, Lane 600, JieyunPlaza,<br>Tianshan RD, Shanghai, 200051, China<br>Tel: 86-21-6228-9939<br>Fax: 86-21-6228-9936<br><a href="mailto:sales@apacer.com.cn">sales@apacer.com.cn</a>                       |
| <b>India</b>                 | <b>Apacer Technologies Pvt Ltd,</b><br>Unit No.201, "Brigade Corner", 7 <sup>th</sup> Block Jayanagar,<br>Yediyur Circle, Bangalore – 560082, India<br>Tel: 91-80-4152-9061<br>Fax: 91-80-4170-0215<br><a href="mailto:sales_india@apacer.com">sales_india@apacer.com</a> |