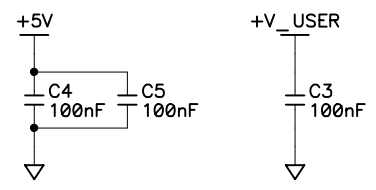


REVISION HISTORY			REVISION APPROVAL			
REV	ECO	DESCRIPTION	PROJECT ENGINEER	APPROVAL DATE	DOCUMENT CONTROL	APPROVAL DATE
A	E11266	INITIAL RELEASE A/W @ REV-A	XT	11/21/00	KIS	11/21/00
B	E11776	CORRECTED REFERENCE DESIGNATORS.	XT	12/19/01	KIS	12/19/01

TABLE A

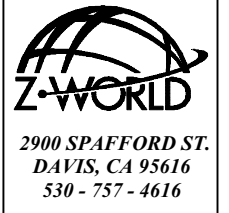
REF DES	DEVICE	DEVICE VOLTAGE INFORMATION					DEVICE: FILTER CAP REF DES(s)
		AGND	GND	+5V	+V_USER	NO CONNECTS	
U1	7812						
U2	LM311		4		8		C10
U3	74AHC32		3	5			C11
U4	74HC259		8	16			C12



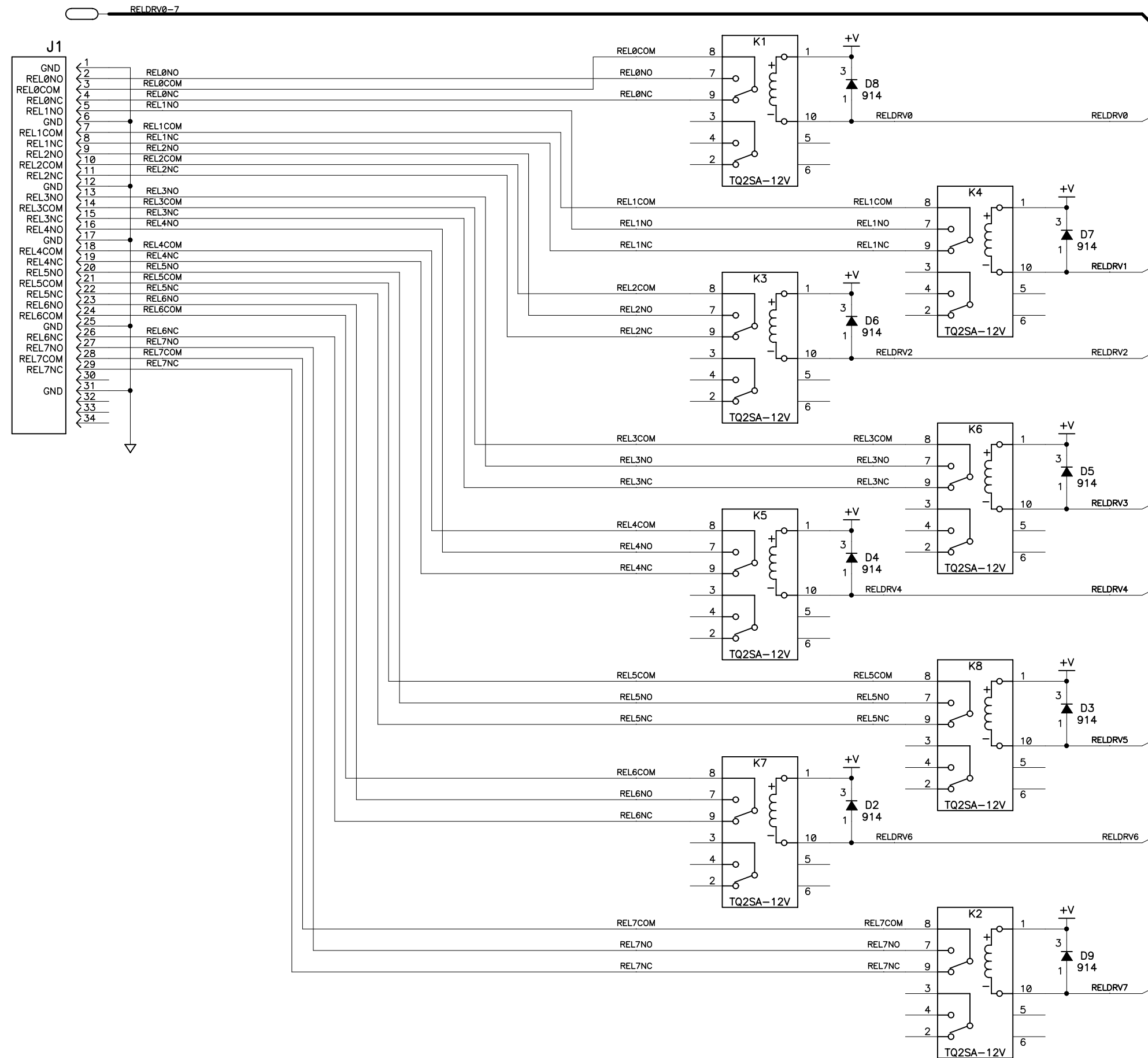
- NOTES: UNLESS OTHERWISE SPECIFIED;
1. ALL RESISTOR VALUES ARE IN OHMS, 1/10W, 5%
 2. ALL CAPACITORS ARE 50VDC OR HIGHER.
 3. THE ORIGINATION SOURCE OF A VOLTAGE IS REPRESENTED BY (VCC), AND ALL REFERENCES TO THAT VOLTAGE ARE REPRESENTED BY (VCC).

COPYRIGHT 2001, Z-WORLD, INC.

APPEND THE FOLLOWING DOCUMENTS WHEN CHANGING THIS DOCUMENT:		DRAWING CONTENT:		TITLE	
		DRAWN BY: (INITIAL RELEASE)	REP	19JUN00	
		REVISED BY:	XUAN TRUONG	18DEC01	
		APPROVALS: INITIAL RELEASE			
		PROJECT ENGINEER:	Xuan Truong	11/21/00	
		ENGINEERING MANAGER:	R. Matthews	11/21/00	
		SIGNATURES	DATE		
		TITLE		SIZE	DWG NO.
		SCHEMATIC DIAGRAM SR9510 RELAY 8 BOARD		B	090-0108
		SCALE	NONE	RELEASE DATE	SHEET 1 OF 2



USER INTERFACE



COPYRIGHT 2001, Z-WORLD, INC.

18DEC01

SIZE B	DWG NO. 090-0108
SCALE NONE	REV LTR B
SHEET 2 OF 2	