

National Semiconductor is now part of
Texas Instruments.

Search <http://www.ti.com/> for the latest technical
information and details on our current products and services.

DS3668

Quad Fault Protected Peripheral Driver

General Description

The DS3668 quad peripheral driver is designed for those applications where low operating power, high breakdown voltage, high output current and low output ON voltage are required. Unlike most peripheral drivers available, a unique fault protected circuit is incorporated on each output. When the load current exceeds 1.0A (approximately) on any output for more than a built-in delay time, nominally 12 μ s, that output will be shut off by its protection circuitry with no effect on other outputs. This condition will prevail until that protection circuitry is reset by toggling the corresponding input or the enable pin low for at least 1.0 μ s. This built-in delay is provided to ensure that the protection circuitry is not triggered by turn-on surge currents associated with certain kinds of loads.

The DS3668's inputs combine TTL compatibility with high input impedance. In fact, its extreme low input current allows it to be driven directly by a MOS device. The outputs are capable of sinking 600 mA each and offer a 70V breakdown. However, for inductive loads the output should be clamped to 35V or less to avoid latch up during turn off (inductive fly-back protection — refer AN-213). An on-chip clamp diode capable of handling 800 mA is provided at each output for this purpose. In addition, the DS3668 incorporates circuitry that guarantees glitch-free power up or down operation and a fail-safe feature which puts the output in a high impedance state when the input is open.

The molded package is specifically constructed to allow increased power dissipation over conventional packages. The four ground pins are directly connected to the device chip with a special copper lead frame. When the quad driver is soldered into a PC board, the power rating of the device improves significantly.

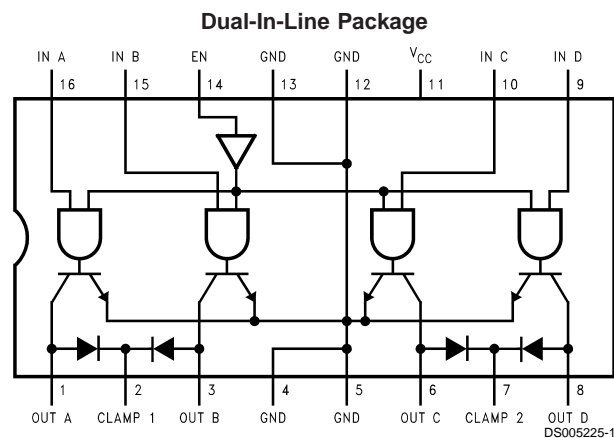
Applications

- Relay drivers
- Solenoid drivers
- Hammer drivers
- Stepping motor drivers
- Triac drivers
- LED drivers
- High current, high voltage drivers
- Level translators
- Fiber optic LED drivers

Features

- Output fault protection
- High impedance TTL compatible inputs
- High output current—600 mA per output
- No output latch-up at 35V
- Low output ON voltage (550 mV typ @ 600 mA)
- High breakdown voltage (70V)
- Open collector outputs
- Output clamp diodes for inductive fly-back protection
- NPN inputs for minimal input currents (1 μ A typical)
- Low operating power
- Standard 5V power supply
- Power up/down protection
- Fail-safe operation
- 2W power package
- Pin-for-pin compatible with SN75437

Connection Diagram



Top View
Order Number DS3668N
See NS Package Number N16E

Truth Table

| IN | EN | OUT |
|----|----|-----|
| H | H | L |
| L | H | Z |
| H | L | Z |
| L | L | Z |

H = High state

L = Low state

Z = High impedance state

Absolute Maximum Ratings (Note 1)

If Military/Aerospace specified devices are required, please contact the National Semiconductor Sales Office/Distributors for availability and specifications.

| | |
|--|---------|
| Supply Voltage | 7.0V |
| Input Voltage | 15V |
| Output Voltage | 70V |
| Continuous Power Dissipation @ 25°C Free-Air (Note 5) | 2075 mW |

Storage Temperature Range –65°C to +150°C

Lead Temperature (Soldering, 4 seconds) 260

Operating Conditions

| | Min | Max | Units |
|---------------------|------|------|-------|
| Supply Voltage | 3.00 | 5.25 | V |
| Ambient Temperature | –40 | 125 | °C |

Electrical Characteristics (Notes 2, 3, 6)

| Symbol | Parameter | Conditions | Min | Typ | Max | Units |
|-----------|--------------------------------------|-------------------------------------|-----|------|----------|---------|
| V_{IH} | Input High Voltage | | 2.0 | | | V |
| V_{IL} | Input Low Voltage | | | | 0.8 | V |
| I_{IH} | Input High Current | $V_{IN} = 5.25V$, $V_{CC} = 5.25V$ | | 1.0 | 20 | μA |
| I_{IL} | Input Low Current | $V_{IN} = 0.4V$ | | | ± 10 | μA |
| V_{IK} | Input Clamp Voltage | $I_I = -12\text{ mA}$ | | –0.8 | –1.5 | V |
| V_{OL} | Output Low Voltage | $I_L = 300\text{ mA}$ | | 0.2 | 0.7 | V |
| | | $I_L = 600\text{ mA}$ (Note 4) | | 0.55 | 1.5 | V |
| I_{CEX} | Output Leakage Current | $V_{CE} = 70V$, $V_{IN} = 0.8V$ | | | 100 | μA |
| V_F | Diode Forward Voltage | $I_F = 800\text{ mA}$ | | 1.2 | 1.6 | V |
| I_R | Diode Leakage Current | $V_R = 70V$ | | | 100 | μA |
| I_{CC} | Supply Current | All Inputs High | | 62 | 80 | mA |
| | | All Inputs Low | | 20 | | mA |
| I_{TH} | Protection Circuit Threshold Current | | | 1 | 1.4 | A |

Switching Characteristics (Notes 2, 6)

| Symbol | Parameter | Conditions | Min | Typ | Max | Units |
|-----------|--|--------------------------------|-----|-----|------|---------|
| t_{PHL} | Turn On Delay | $R_L = 60\Omega$, $V_L = 30V$ | | 0.3 | 1.0 | μs |
| t_{PLH} | Turn Off Delay | $R_L = 60\Omega$, $V_L = 30V$ | | 2 | 10.0 | μs |
| t_{FZ} | Protection Enable Delay (after Detection of Fault) | | 6 | 12 | | μs |
| t_{RL} | Input Low Time for Protection Circuit Reset | | 1.0 | | | μs |

Note 1: "Absolute Maximum Ratings" are those values beyond which the safety of the device cannot be guaranteed. They are not meant to imply that the devices should be operated at these limits. The table of "Electrical Characteristics" specifies conditions of actual device operation.

Note 2: Unless otherwise specified, min/max limits apply across the 0°C to +70°C temperature range and the 4.75V to 5.25V power supply range. All typical values are for $T_A = 25^\circ C$ and $V_{CC} = 5.0V$.

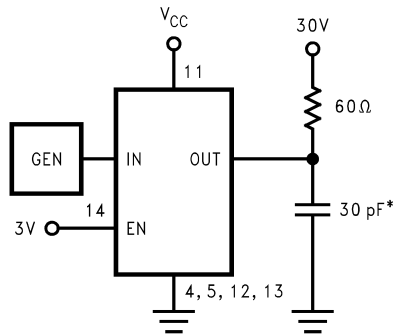
Note 3: All currents into device pins are shown as positive; all currents out of device pins are shown as negative; all voltages are referenced to ground, unless otherwise specified. All values shown as max or min are so classified on absolute value basis.

Note 4: All sectors of this quad circuit may conduct rated current simultaneously, however, power dissipation averaged over a short interval of time must fall within specified continuous dissipation ratings.

Note 5: For operation over 25°C free-air temperature, derate linearly to 1328 mW @ 70°C @ the rate of 16.6 mW/°C.

Note 6: Datasheet min/max specification limits are guaranteed by design, test, or statistical analysis.

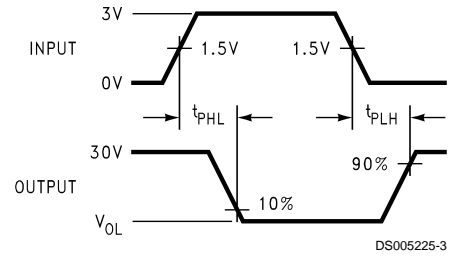
AC Test Circuit



*Includes probe and jig capacitance.

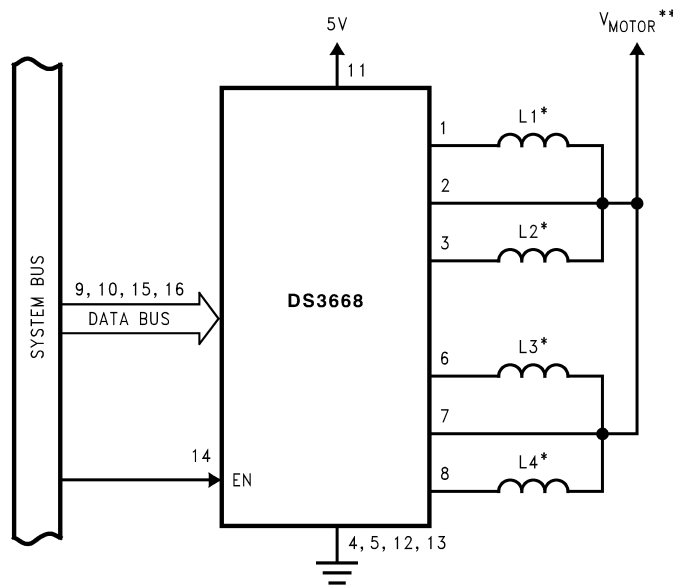
DS005225-2

Switching Waveforms



DS005225-3

Typical Application

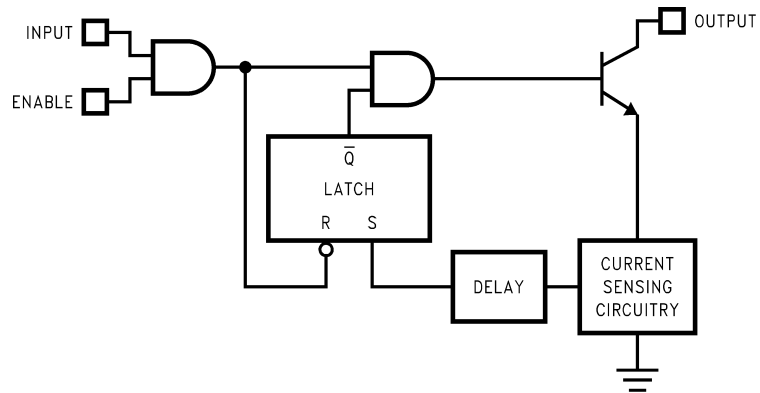


*L1, L2, L3, L4 are the windings of a bifilar stepping motor.

**VMOTOR is the supply voltage of the motor.

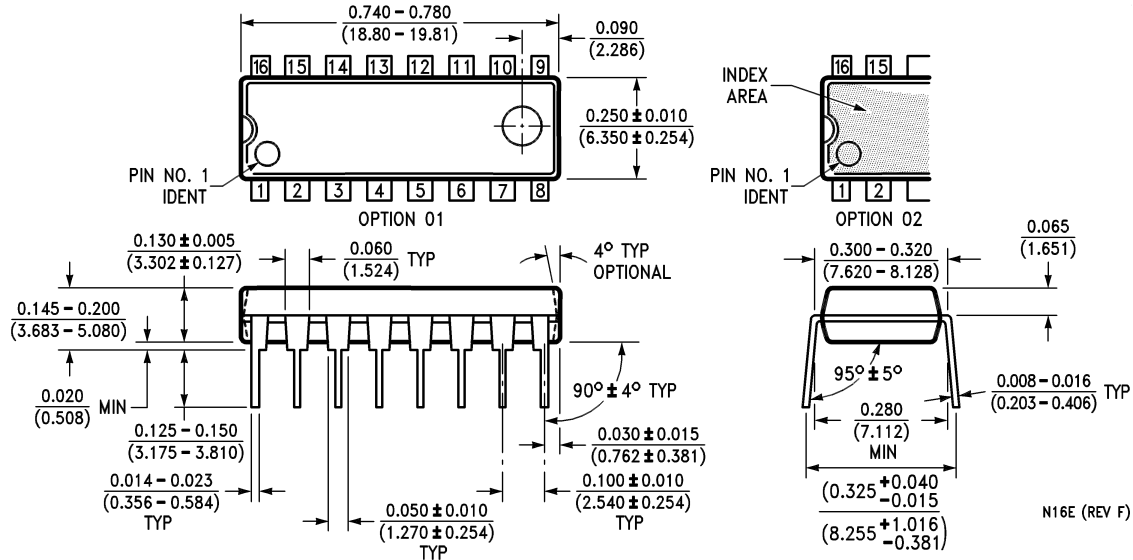
DS005225-4

Protection Circuit Block Diagram



DS005225-5

Physical Dimensions inches (millimeters) unless otherwise noted



Molded Dual-In-Line Package (N)
Order Number DS3668N
NS Package Number N16E

N16E (REV F)

LIFE SUPPORT POLICY

NATIONAL'S PRODUCTS ARE NOT AUTHORIZED FOR USE AS CRITICAL COMPONENTS IN LIFE SUPPORT DEVICES OR SYSTEMS WITHOUT THE EXPRESS WRITTEN APPROVAL OF THE PRESIDENT AND GENERAL COUNSEL OF NATIONAL SEMICONDUCTOR CORPORATION. As used herein:

1. Life support devices or systems are devices or systems which, (a) are intended for surgical implant into the body, or (b) support or sustain life, and whose failure to perform when properly used in accordance with instructions for use provided in the labeling, can be reasonably expected to result in a significant injury to the user.
2. A critical component is any component of a life support device or system whose failure to perform can be reasonably expected to cause the failure of the life support device or system, or to affect its safety or effectiveness.



National Semiconductor Corporation
 Americas
 Tel: 1-800-272-9959
 Fax: 1-800-737-7018
 Email: support@nsc.com
 www.national.com

National Semiconductor Europe
 Fax: +49 (0) 180-530 85 86
 Email: europe.support@nsc.com
 Deutsch Tel: +49 (0) 69 9508 6208
 English Tel: +44 (0) 870 24 0 2171
 Français Tel: +33 (0) 1 41 91 8790

National Semiconductor Asia Pacific Customer Response Group
 Tel: 65-2544466
 Fax: 65-2504466
 Email: ap.support@nsc.com

National Semiconductor Japan Ltd.
 Tel: 81-3-5639-7560
 Fax: 81-3-5639-7507

DS3668 Product Folder

Quad Fault Protected Peripheral Driver

[General Description](#)

[Features](#)

[Datasheet](#)

[Package & Models](#)

[Samples & Pricing](#)

Parametric Table

| | |
|---------------------------|--------|
| Device Count | 4 |
| Input Logic Compatibility | TTL/LS |
| Latch-Up Voltage (Volt) | - |
| Logic Function | NAND |

Parametric Table

| | |
|------------------------------|------|
| On Power Supply Current (mA) | 80 |
| Output Low Voltage (Volt) | 1.50 |
| Output High Voltage (Volt) | 70 |
| Output Low Current (mA) | 600 |
| Propagation Delay, typ (ns) | 2000 |

Datasheet

| Title | Size in Kbytes | Date | View Online | Download | Receive via Email |
|---|----------------|-----------|-----------------------------|--------------------------|-----------------------------------|
| DS3668 Quad Fault Protected Peripheral Driver | 112 Kbytes | 18-Jan-01 | View Online | Download | Receive via Email |

If you have trouble printing or viewing PDF file(s), see [Printing Problems](#).

Package Availability, Models, Samples & Pricing

| Part Number | Package | | | Status | Models | | Samples & Electronic Orders | Budgetary Pricing | | Std Pack Size | Package Marking |
|-------------|----------------------|------|---------------------|-----------------|--------|------|-----------------------------|-------------------|-----------|---------------|---------------------------------|
| | Type | Pins | MSL | | SPICE | IBIS | | Qty | \$US each | | |
| DS3668N | MDIP | 16 | MSL | Full production | N/A | N/A | Buy Now | 1K+ | \$1.9500 | rail of 25 | [logo]cUcZc3cT DS3668N |
| DS3668 MDC | Die | | | Full production | N/A | N/A | Samples | | | tray of N/A | - |

General Description

The DS3668 quad peripheral driver is designed for those applications where low operating power, high breakdown voltage, high output current and low output ON voltage are required. Unlike most peripheral drivers available, a unique fault protected circuit is incorporated on each output. When the load current exceeds 1.0A (approximately) on any output for more than a built-in delay time, nominally 12 μ s, that output will be shut off by its protection circuitry with no effect on other outputs. This condition will prevail until that protection circuitry is reset by toggling the corresponding input or the enable pin low for at least 1.0 μ s. This built-in delay is provided to ensure that the protection circuitry is not triggered by turn-on surge currents associated with certain kinds of loads.

The DS3668's inputs combine TTL compatibility with high input impedance. In fact, its extreme low input current allows it to be driven directly by a MOS device. The outputs are capable of sinking 600 mA each and offer a 70V breakdown. However, for inductive loads the output should be clamped to 35V or less to avoid latch up during turn off (inductive fly-back protection - refer AN-213). An on-chip clamp diode capable of handling 800 mA is provided at each output for this purpose. In addition, the DS3668 incorporates circuitry that guarantees glitch-free power up or down operation and a fail-safe feature which puts the output in a high impedance state when the input is open.

The molded package is specifically constructed to allow increased power dissipation over conventional packages. The four ground pins are directly connected to the device chip with a special copper lead frame. When the quad driver is soldered into a PC board, the power rating of the device improves significantly.

Features

- Output fault protection
- High impedance TTL compatible inputs
- High output current-600 mA per output
- No output latch-up at 35V
- Low output ON voltage (550 mV typ @ 600 mA)
- High breakdown voltage (70V)
- Open collector outputs
- Output clamp diodes for inductive fly-back protection
- NPN inputs for minimal input currents (1 μ A typical)
- Low operating power
- Standard 5V power supply
- Power up/down protection
- Fail-safe operation
- 2W power package
- Pin-for-pin compatible with SN75437

Applications

- Relay drivers
- Solenoid drivers
- Hammer drivers
- Stepping motor drivers
- Triac drivers
- LED drivers
- High current, high voltage drivers
- Level translators
- Fiber optic LED drivers

[Information as of 5-Aug-2002]

[Search](#)

[Design](#)

[Purchasing](#)

[Quality](#)

[Company](#)

[Home](#)
