



- Custom voltage input options.
- Custom temperature options.
- Supports HC-18/U, HC-25/U, HC-42/U, HC-43/U, HC-49/U, and HC-50/U

Instrument Part Number: **M43 VV TT**

M43	VV	TT
SERIES	VOLTAGE*	TEMPERATURE**
M43	05 = 5V	35 = 35 °C
	12 = 12V	45 = 45 °C
	15 = 15V	55 = 55 °C
	20 = 20V	65 = 65 °C
	25 = 25V	75 = 75 °C
	28 = 28V	85 = 85 °C
		95 = 95 °C

Specifications:

* Any Voltage from 5V-28V Available

** Any temperature from 35°C-95°C Available

Description	Min	Typ	Max	Unit
Set Temperature: (T _s)	+35	-	+95	°C
Set Point Tolerance:	-3	-	+3	°C
Temperature Stability: (-30°C ~ (T _s - 10)°C)	-3	-	+3	°C
Voltage Stability:	-0.5	-	0.5	°C
Supply Voltage: (V _s)	5	-	28	V
Power: (@ Warm-Up)	-	-	6	W
(Slope)	-	-0.024**	-	W/°C
Voltage Tolerance:	0.9 * V _s	-	1.1 * V _s	V
Warm Up: (@ 2 Minutes, 25°C, Referenced to 15 Minutes)	-1	-	1	°C

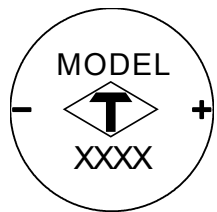
Supported Crystals/Semi-Conductors:

HC-18/U, HC-25/U, HC-42/U, HC-43/U, HC-49/U, and HC-50/U

* A 10°C buffer between ambient and the set temperature is required so the performance can be maintained.

** To calculate the typical steady state power use the following formula where T_A is the ambient temperature:

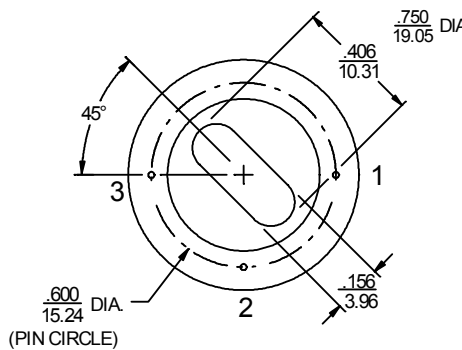
$$P_{SS} = (T_s - T_A) \times 0.024W$$



MARKING
XXXX = Date Code

Pin #	Function
1	+VDC
2	NC
3	0 VDC

INCH
mm



* CRYSTAL CAVITY connected to 0 VDC.

