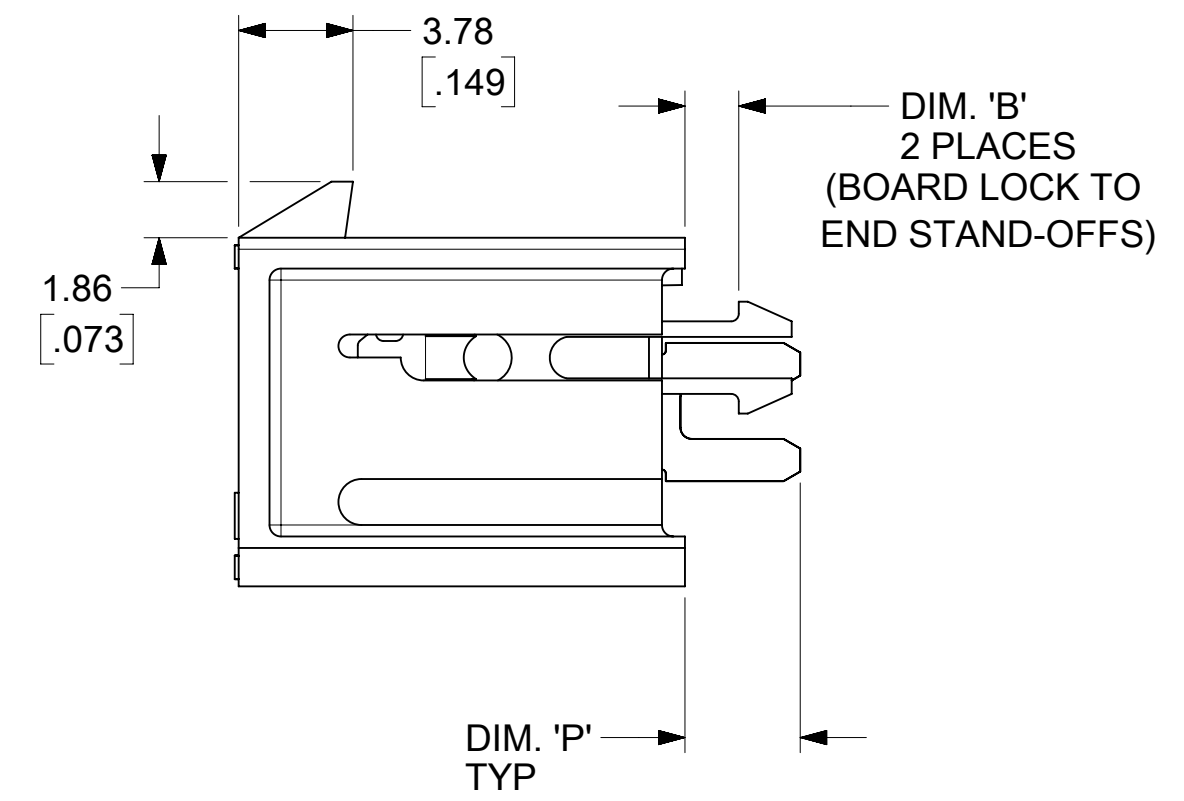
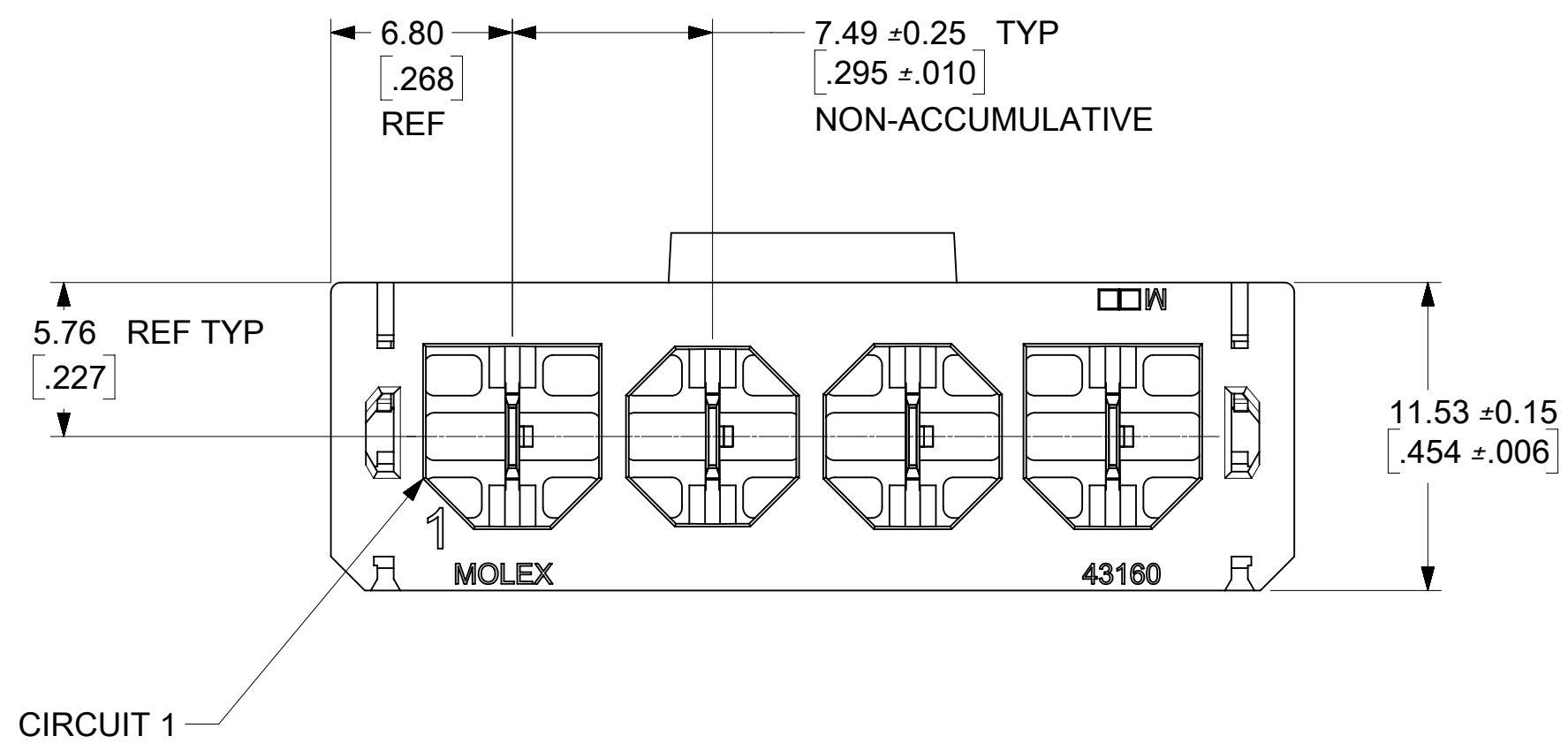
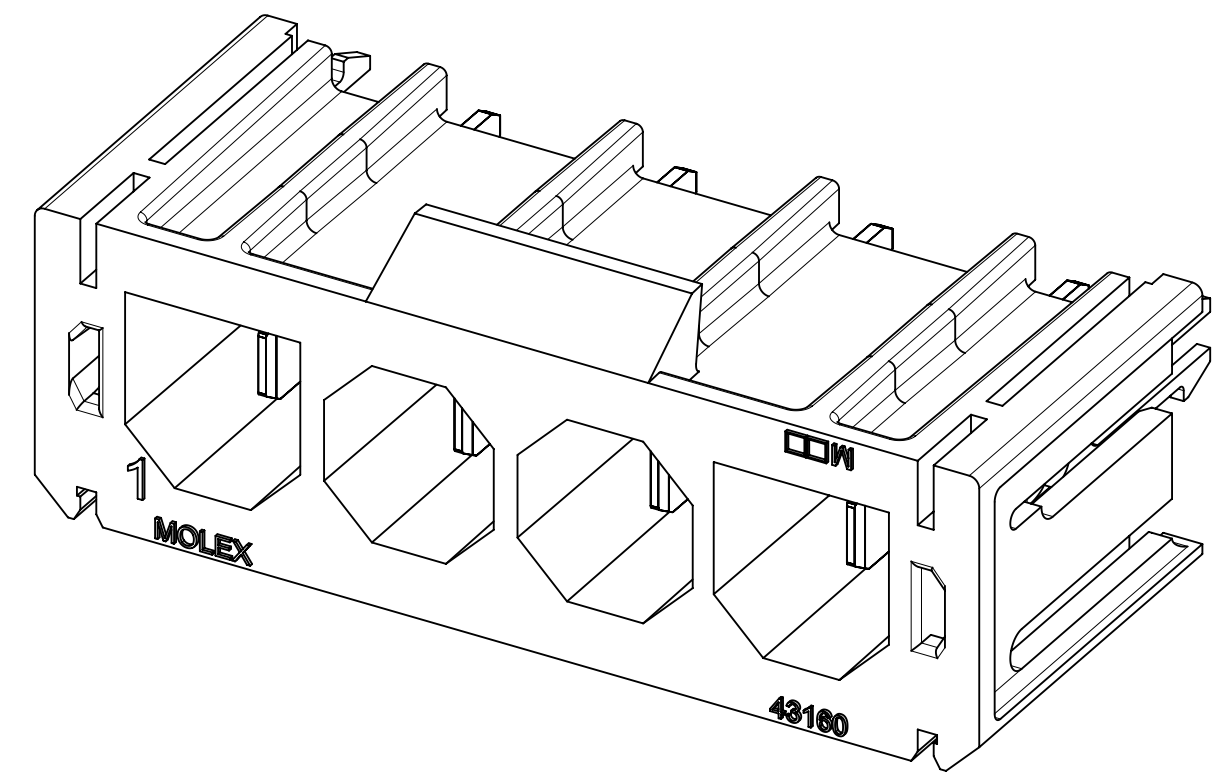
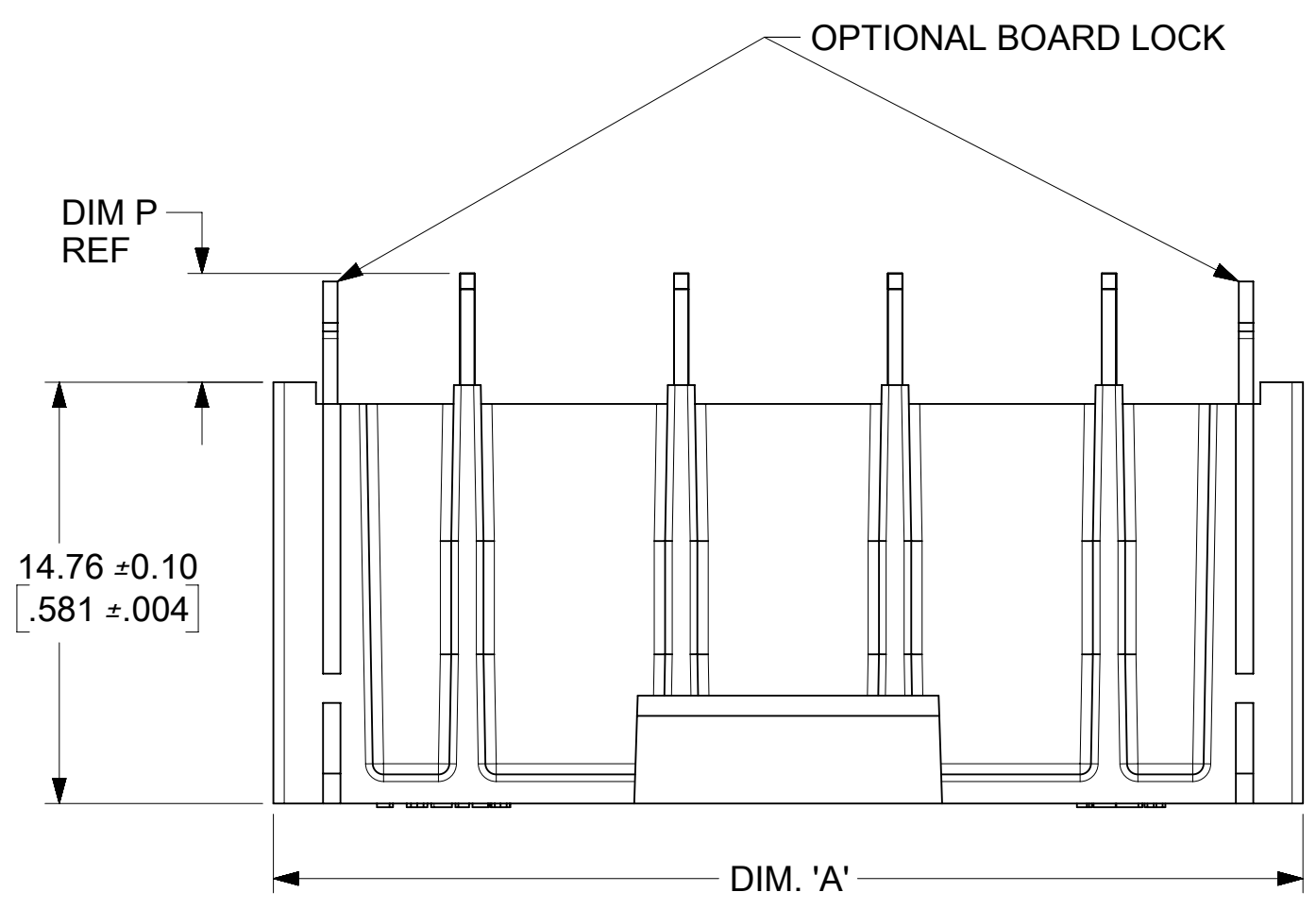


CIRCUITS	DIM. 'A' ± $\frac{0.33}{.013}$
2	$\frac{21.08}{.830}$
3	$\frac{28.58}{1.125}$
4	$\frac{36.07}{1.420}$
5	$\frac{43.56}{1.715}$
6	$\frac{51.05}{2.010}$
8	$\frac{66.04}{2.600}$



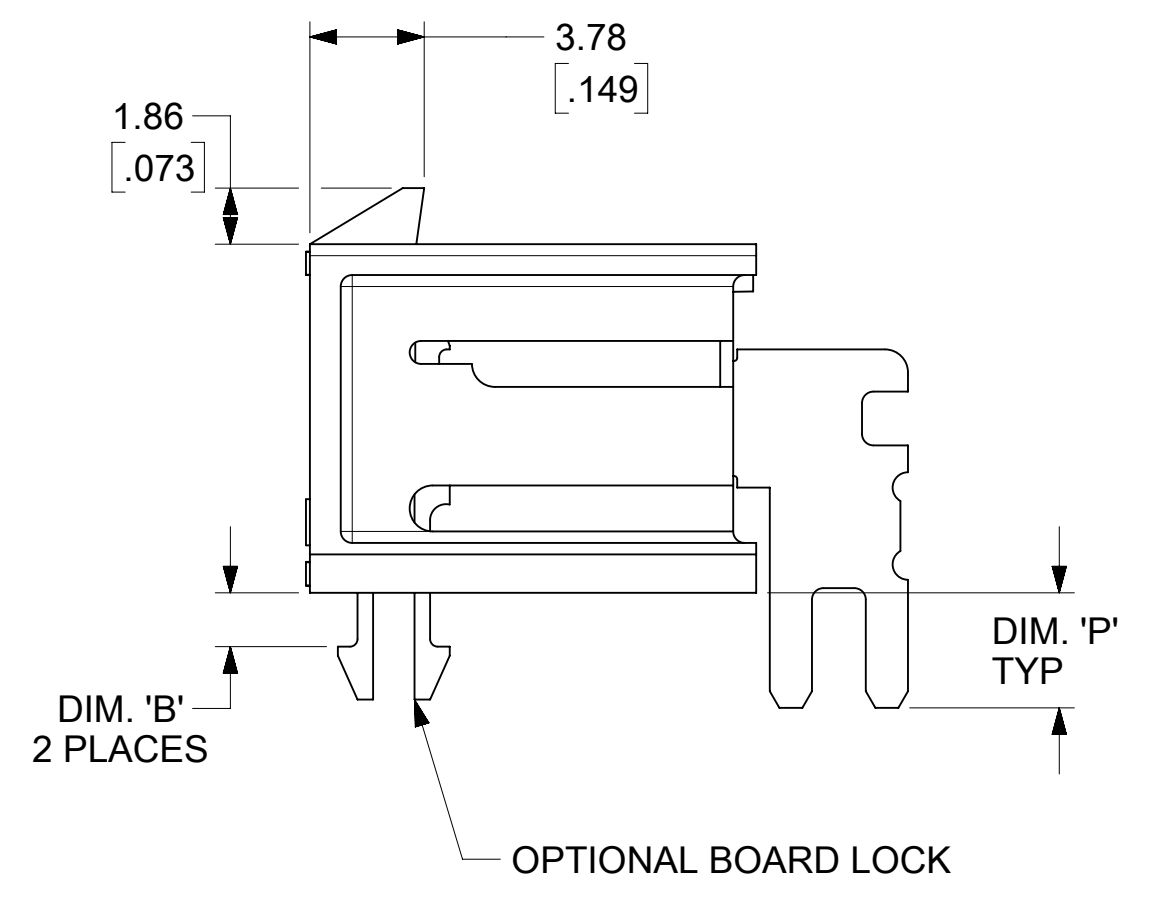
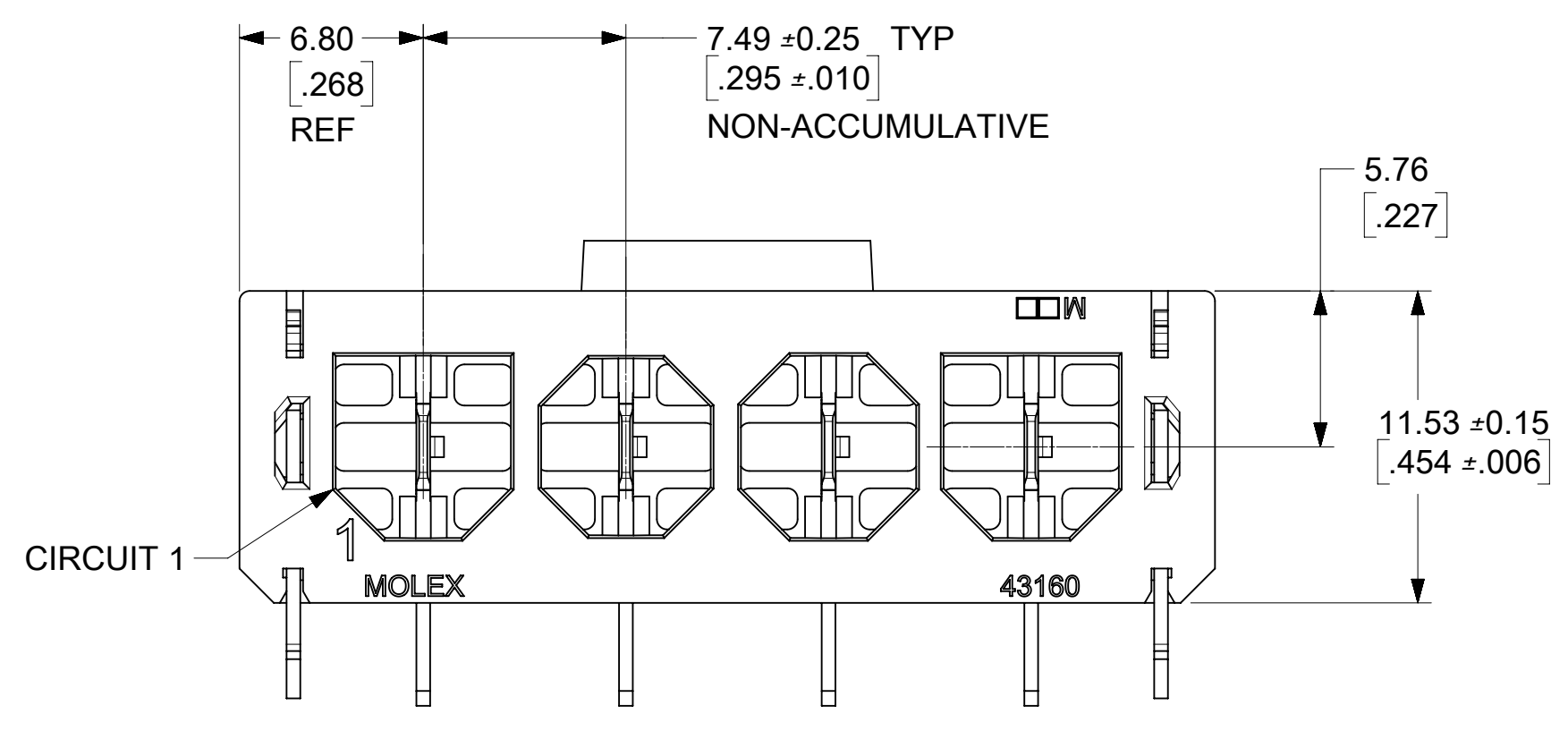
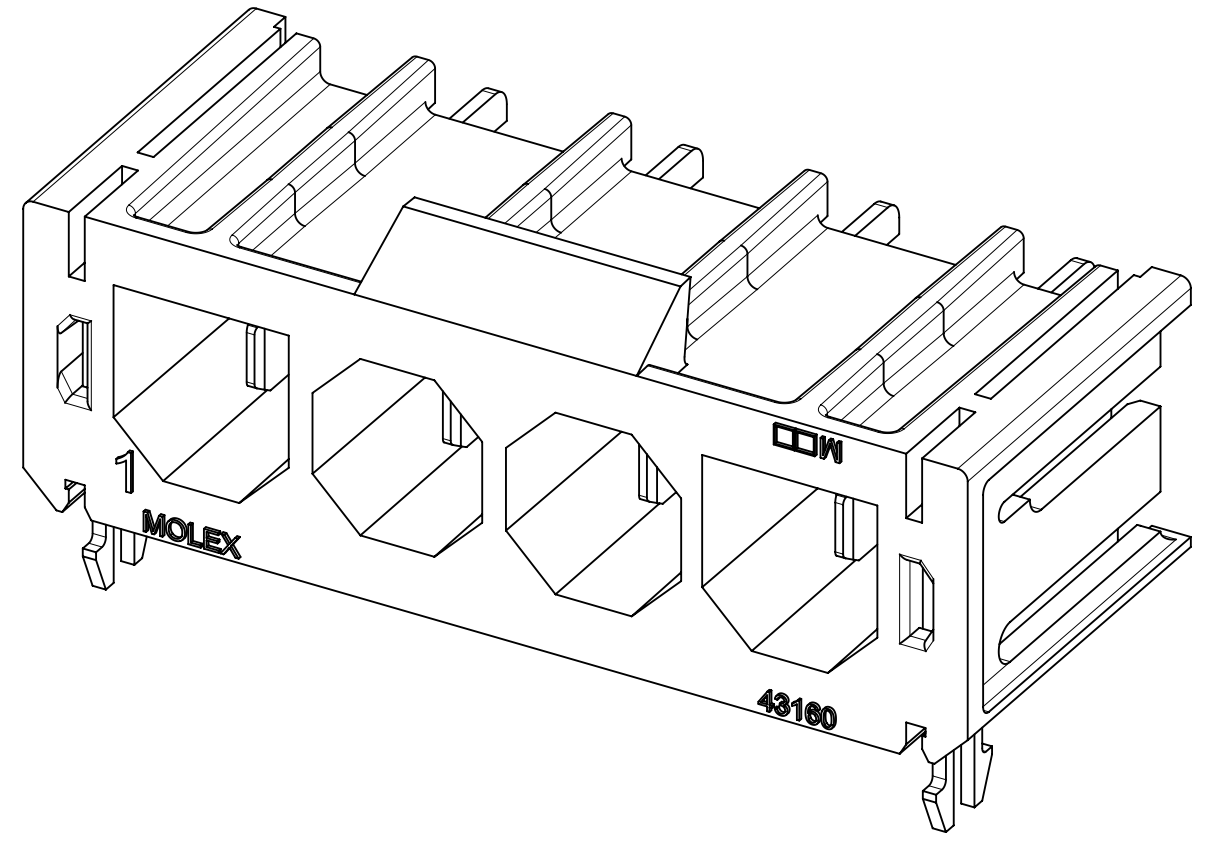
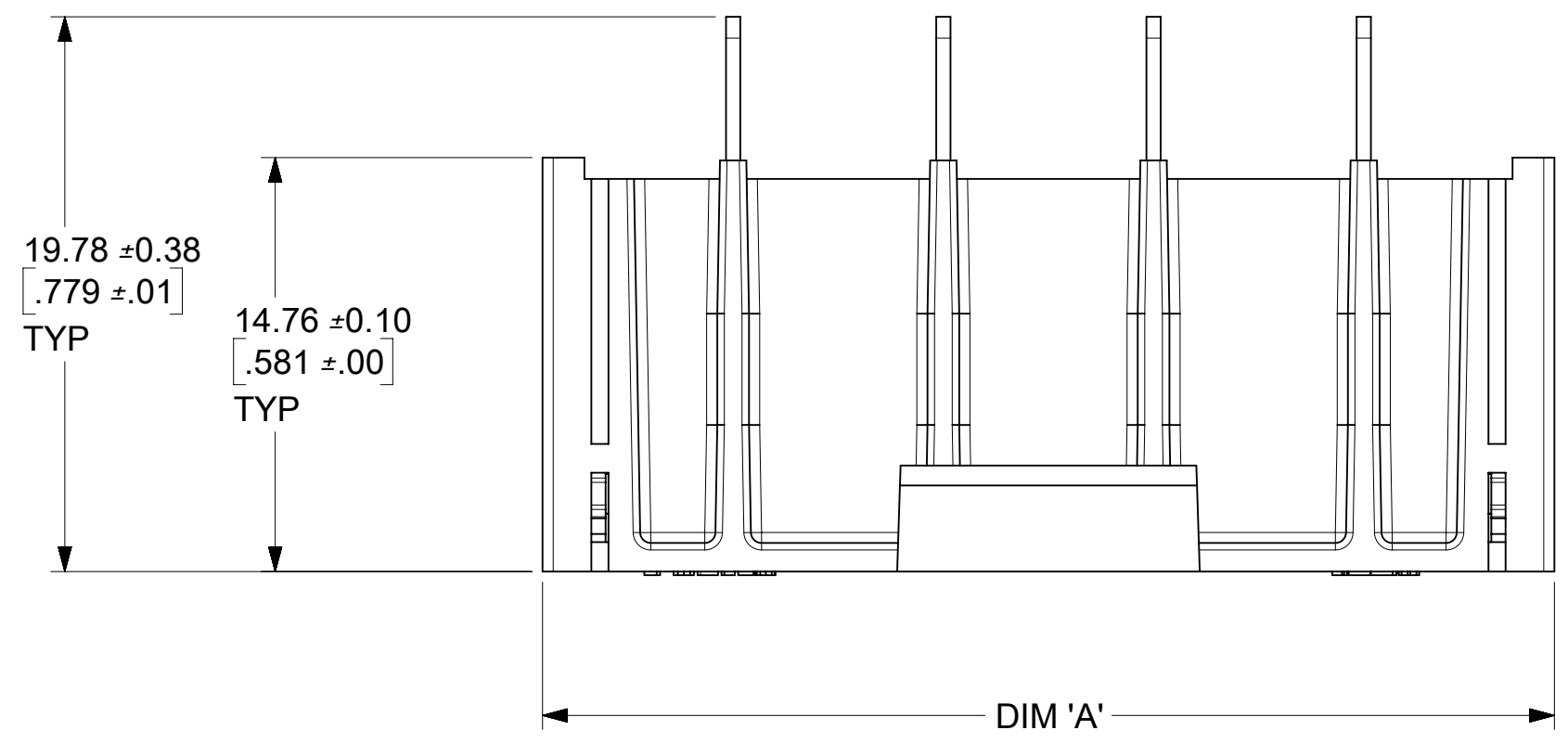
- INSULATOR MATERIAL: 30% GLASS FILLED 4/6 NYLON UL94V-0, COLOR: BLACK  
TERMINAL MATERIAL : BRASS
- TERMINAL FINISH: OVERALL REFLOWED MATTE TIN: 0.00152/.000060 MIN OVER 0.00127/.000050 MIN NICKEL.
- PRODUCT SPECIFICATION PS-44441-9999.
- PACKAGING: SEE CHART
- THIS HEADER MATES WITH 44441 OR 43335 SERIES RECEPTACLE HOUSINGS.
- HEADERS INDICATED AS "FINGER-PROOF" ARE DESIGNED TO MINIMIZE ACCESSIBILITY TO LIVE PARTS, PER UL1977 AND UL60950 (FORMERLY UL1950) FINGER PROBE REQUIREMENTS.
- THIS PART CONFORMS TO CLASS B REQUIREMENTS OF MOLEX COSMETIC SPECIFICATION PS-45499-002
- PARTS LISTED ON THIS DRAWING ARE CONSTRUCTED TO MEET THE REQUIREMENTS FOR DIRECT SUPPORT OF UNINSULATED LIVE PARTS AS DESCRIBED IN UL508C.
- TEXT ON PART IS FOR REFERENCE ONLY. TEXT AND TEXT LOCATION MAY VARY DEPENDING ON PART NUMBER AND/OR TOOL.
- PART DESIGNED IN INCHES.

SHEETS 1 AND 2: VERTICAL HEADERS  
SHEETS 3 AND 4: RIGHT ANGLE HEADERS  
SHEET 5: POLARIZATION

THIS DRAWING CONTAINS INFORMATION THAT IS PROPRIETARY TO MOLEX ELECTRONIC TECHNOLOGIES, LLC AND SHOULD NOT BE USED WITHOUT WRITTEN PERMISSION									
SYMBOLS		DIMENSION UNITS		SCALE		CURRENT REV DESC: RELEASED			
▽ = 0	IN/MM	4:1							
▽ = 0	GENERAL TOLERANCES (UNLESS SPECIFIED)								
▽ = 0		MM	INCH						
▽ = 0	4 PLACES ±					EC NO: 623888			
▽ = 0	3 PLACES ±		± 0.005			DRWN: MKIPPER 2019/09/11			
▽ = 0	2 PLACES ±	0.13	± 0.01			CHK'D: DSTEIER 2019/09/13			
▽ = 0	1 PLACE ±	0.25				APPR: FSMITH 2019/09/17			
▽ = 0	0 PLACES ±					INITIAL REVISION:			
▽ = 0	ANGULAR TOL ± 0.5 °					DRWN: MKIPPER 2019/09/11			
▽ = 0	DRAFT WHERE APPLICABLE MUST REMAIN WITHIN DIMENSIONS			THIRD ANGLE PROJECTION		DRAWING		SERIES	
▽ = 0				C-SIZE		46007			
DOCUMENT STATUS		P1	RELEASE DATE	2019/09/17	14:17:52	THIS DRAWING REPLACES SD-46007-001			
DOCUMENT NUMBER		DOC TYPE		DOC PART	REVISION	MATERIAL NUMBER			
460070001-SD		PSD		000	A	CUSTOMER			
SEE CHARTS		GENERAL MARKET		SHEET NUMBER		1 OF 5			



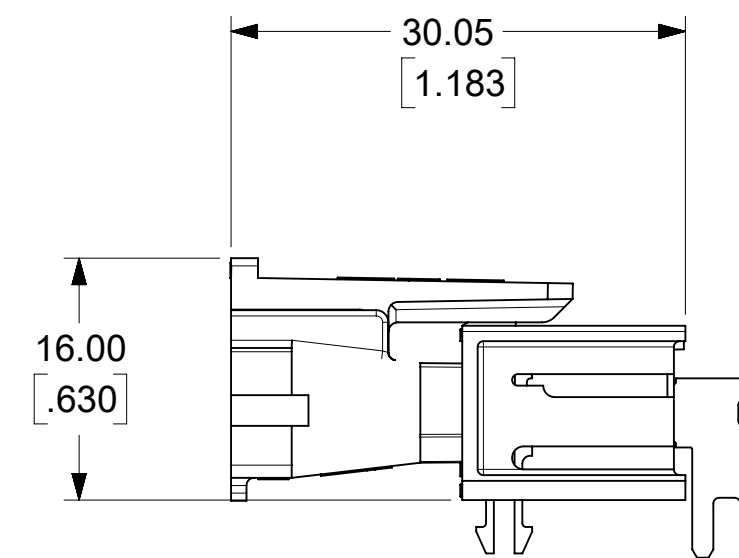
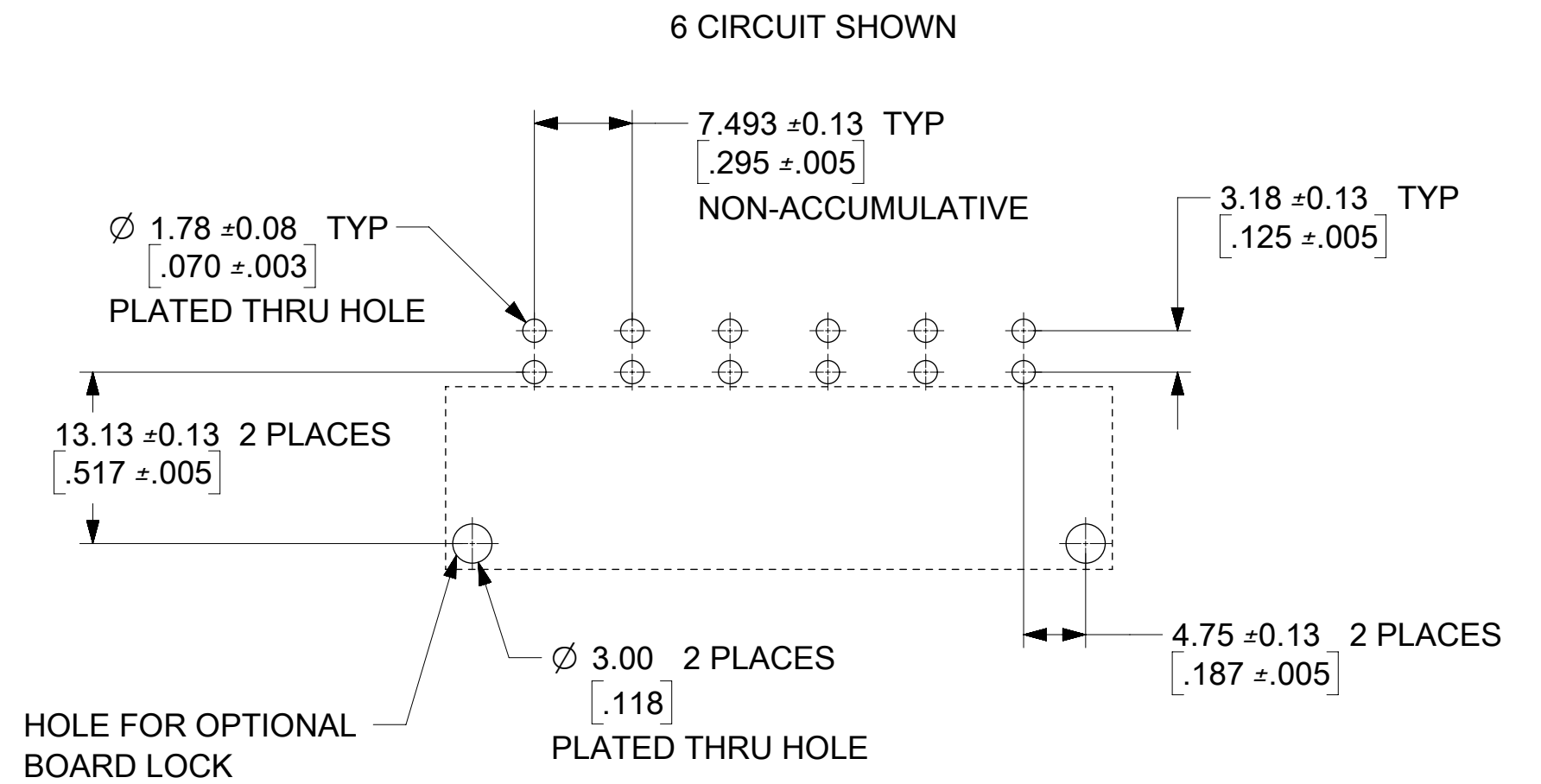
CIRCUITS	DIM. 'A' ±	0.33 .013
2	21.08 .830	
3	28.58 1.125	
4	36.07 1.420	
5	43.56 1.715	
6	51.05 2.010	
8	66.04 2.600	



THIS DRAWING CONTAINS INFORMATION THAT IS PROPRIETARY TO MOLEX ELECTRONIC TECHNOLOGIES, LLC AND SHOULD NOT BE USED WITHOUT WRITTEN PERMISSION										
SYMBOLS		DIMENSION UNITS		SCALE		CURRENT REV DESC: RELEASED				
∇ = 0	IN/MM	4:1								
∇ = 0	GENERAL TOLERANCES (UNLESS SPECIFIED)									
∇ = 0		MM	INCH							
S = 0	4 PLACES	±	±			EC NO: 623888				
∇ = 0	3 PLACES	±	± 0.005			DRWN: MKIPPER 2019/09/11				
∇ = 0	2 PLACES	± 0.13	± 0.01			CHK'D: DSTEIER 2019/09/13				
∇ = 0	1 PLACE	± 0.25	±			APPR: FSMITH 2019/09/17				
∇ = 0	0 PLACES	±	±			INITIAL REVISION:				
∇ = 0	ANGULAR TOL	± 0.5 °				DRWN: MKIPPER 2019/09/11				
∇ = 0	DRAFT WHERE APPLICABLE MUST REMAIN WITHIN DIMENSIONS			THIRD ANGLE PROJECTION		DRAWING		SERIES		
						C-SIZE	46007			
DOCUMENT STATUS		P1	RELEASE DATE	2019/09/17	14:17:52	DOCUMENT NUMBER		DOC TYPE	DOC PART	REVISION
						460070001-SD		PSD	000	A
						MATERIAL NUMBER		CUSTOMER		SHEET NUMBER
						SEE CHARTS		GENERAL MARKET		3 OF 5

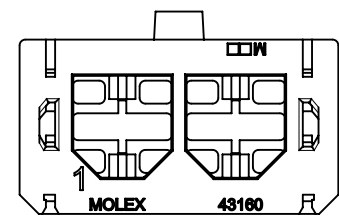
RIGHT ANGLE HEADER ASSEMBLIES					
ASSEMBLY PART NO.	CIRCUITS	DIM. 'P' ± $\frac{0.28}{.011}$	BOARD LOCK	DIM. 'B' ± $\frac{0.10}{.004}$	PACKAGING SPEC.
46007-1102	2	3.81/(.150) (SHORT TAIL)	NO	N/A	PK-43160-0010
46007-1103	3				
46007-1104	4				
46007-1105	5				
46007-1106	6				
46007-1108	8				
46007-1302	2	5.33/(.210) (LONG TAIL)	NO	N/A	PK-43789-001
46007-1303	3				
46007-1304	4				
46007-1305	5				
46007-1306	6				
46007-1308	8				
46007-3102	2	3.81/(.150) (SHORT TAIL)	YES	1.78/(.070) FOR 1.57/(.062) PCB	PK-43789-001
46007-3103	3				
46007-3104	4				
46007-3105	5				
46007-3106	6				
46007-3108	8				
46007-5102	2	3.81/(.150) (SHORT TAIL)	YES	2.59/(.102) FOR 2.39/(.094) PCB	PK-43789-001
46007-5103	3				
46007-5104	4				
46007-5105	5				
46007-5106	6				
46007-5108	8				
46007-5302	2	5.33/(.210) (LONG TAIL)	YES	2.59/(.102) FOR 2.39/(.094) PCB	PK-43789-001
46007-5303	3				
46007-5304	4				
46007-5305	5				
46007-5306	6				
46007-5308	8				
46007-7302	2	5.33/(.210) (LONG TAIL)	YES	3.38/(.133) FOR 3.18/(.125) PCB	PK-43789-001
46007-7303	3				
46007-7304	4				
46007-7305	5				
46007-7306	6				
46007-7308	8				
ASSEMBLY PART NO.	CIRCUITS	DIM. 'P' ± $\frac{0.28}{.011}$	BOARD LOCK	DIM. 'B' ± $\frac{0.10}{.004}$	PACKAGING SPEC.

### RECOMMENDED P.C. BOARD LAYOUT FOR RIGHT ANGLE HEADERS

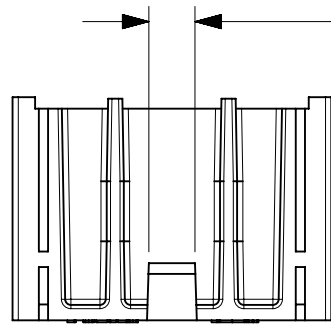


### MATED DIMENSIONS RIGHT ANGLE HEADERS

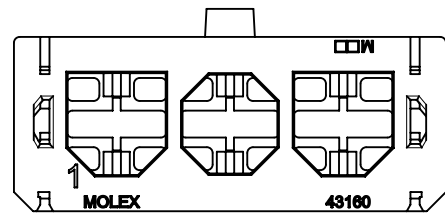
SYMBOLS	THIS DRAWING CONTAINS INFORMATION THAT IS PROPRIETARY TO MOLEX ELECTRONIC TECHNOLOGIES, LLC AND SHOULD NOT BE USED WITHOUT WRITTEN PERMISSION			
	DIMENSION UNITS	SCALE	CURRENT REV DESC: RELEASED	
$\nabla = 0$	IN/MM	2:1	<b>molex</b> SABRE HEADER ASSEMBLY FINGER PROOF 2-6 & 8 CIRCUIT .125/(3.18) X .020/(0.51)	
$\nabla = 0$	GENERAL TOLERANCES (UNLESS SPECIFIED)			
$\nabla = 0$		MM	INCH	EC NO: 623888
$\nabla = 0$	4 PLACES	±	±	DRWN: MKIPPER 2019/09/11
$\nabla = 0$	3 PLACES	±	± 0.005	CHK'D: DSTEIER 2019/09/13
$\nabla = 0$	2 PLACES	± 0.13	± 0.01	APPR: FSMITH 2019/09/17
$\nabla = 0$	1 PLACE	± 0.25	±	INITIAL REVISION:
$\nabla = 0$	0 PLACES	±	±	DRWN: MKIPPER 2019/09/11
$\nabla = 0$	ANGULAR TOL	± 0.5°		APPR: FSMITH 2019/09/17
$\nabla = 0$	DRAFT WHERE APPLICABLE MUST REMAIN WITHIN DIMENSIONS			THIRD ANGLE PROJECTION
				DRAWING SERIES
				C-SIZE 46007
				DOCUMENT NUMBER
				460070001-SD
				DOC TYPE DOC PART REVISION
				PSD 000 A
				MATERIAL NUMBER CUSTOMER SHEET NUMBER
				SEE CHARTS GENERAL MARKET 4 OF 5



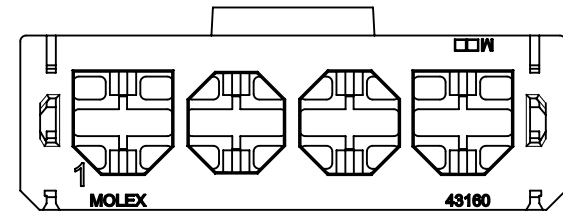
2 CIRCUITS



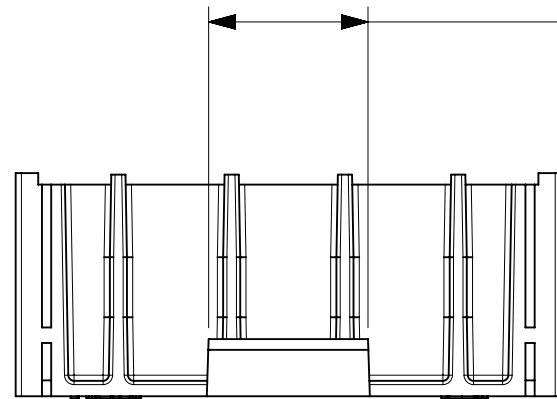
3.05  
 .120  
 2 AND 3 CIRCUIT



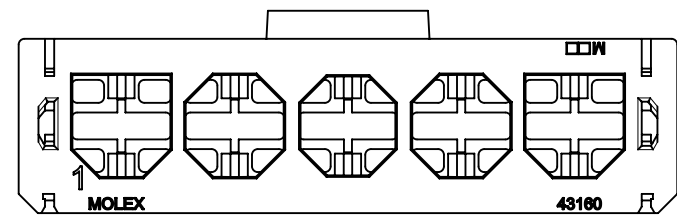
3 CIRCUITS



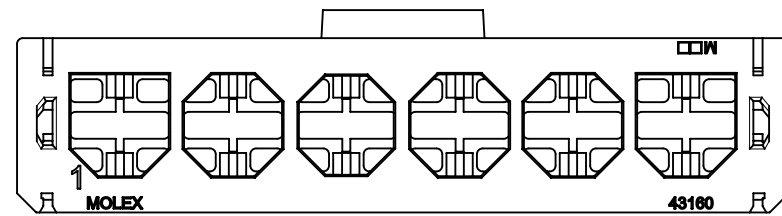
4 CIRCUITS



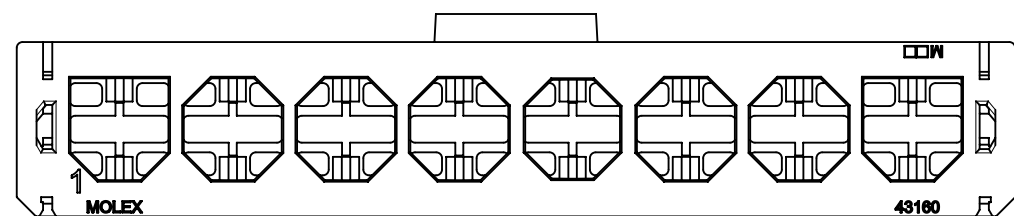
10.54  
 .415  
 4 CIRCUIT AND UP



5 CIRCUITS



6 CIRCUITS



8 CIRCUITS

**POLARIZATION**

SYMBOLS	THIS DRAWING CONTAINS INFORMATION THAT IS PROPRIETARY TO MOLEX ELECTRONIC TECHNOLOGIES, LLC AND SHOULD NOT BE USED WITHOUT WRITTEN PERMISSION									
	DIMENSION UNITS		SCALE		CURRENT REV DESC: RELEASED					
∇ = 0	MM/INCH		2:1		<b>molex</b> SABRE HEADER ASSEMBLY FINGER PROOF 2-6 & 8 CIRCUIT .125/(3.18) X .020/(0.51) PRODUCT CUSTOMER DRAWING					
∇ = 0	GENERAL TOLERANCES (UNLESS SPECIFIED)									
∇ = 0		MM	INCH							
∇ = 0	4 PLACES	±	±							
∇ = 0	3 PLACES	±	± 0.005		EC NO: 623888	2019/09/11				
∇ = 0	2 PLACES	± 0.13	± 0.01		DRWN: MKIPPER	2019/09/13				
∇ = 0	1 PLACE	± 0.25	±		CHK'D: DSTEIER	2019/09/17				
∇ = 0	0 PLACES	±	±		APPR: FSMITH					
∇ = 0	ANGULAR TOL		± 0.5 °		INITIAL REVISION:					
∇ = 0	DRAFT WHERE APPLICABLE MUST REMAIN WITHIN DIMENSIONS		THIRD ANGLE PROJECTION		DRWN: MKIPPER	2019/09/11				
∇ = 0					APPR: FSMITH	2019/09/17				
DOCUMENT STATUS		P1	RELEASE DATE	2019/09/17 14:17:52	DRAWING		SERIES	MATERIAL NUMBER	CUSTOMER	SHEET NUMBER
P1					C-SIZE		46007	460070001-SD	GENERAL MARKET	5 OF 5
					SEE CHARTS					