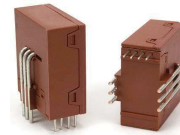


K-No.: 26810

### 15A Current Sensor

For the electronic measurement of currents:  
DC, AC, pulsed, mixed with a galvanic isolation between the primary circuit (high power) and the secondary circuit (electronic circuit)



Date: 04.02.2022

Customer: Standard Type

Customers Part no:

Page 1 of 3

#### Description

- Closed loop (compensation) Current Sensor with magnetic probe
- Printed circuit board mounting
- Casing and materials UL-listed

#### Characteristics

- excellent accuracy
- very low offset current
- very low temperature dependency and offset current drift
- very low hysteresis of offset current
- short response time
- wide frequency bandwidth
- compact design
- reduced offset ripple

#### Applications

Mainly used for stationary operation in industrial applications:

- AC variable speed drives and servo motor drives
- static converters for DC motor drives
- Battery supplied applications
- Switched Mode Power Supplies (SMPS)
- Power supplies for welding applications
- Uninterruptable Power Supplies (UPS)

#### Electrical data - Ratings

|           |   |                                      |   |
|-----------|---|--------------------------------------|---|
| $I_{PN}$  | Primary nominal RMS current                       | 15                                   | A |
| $V_{OUT}$ | Output voltage @ $I_P$                            | $V_{REF} \pm (0.625 * I_P / I_{PN})$ | V |
| $V_{OUT}$ | Output voltage @ $I_P=0A, \vartheta_A=25^\circ C$ | $V_{REF} \pm 0.00221$                | V |
| $V_{REF}$ | External Reference voltage range                  | 0 ... 4                              | V |
|           | Internal Reference voltage                        | $2.5 \pm 0.005$                      | V |
| $K_N$     | Transformation ratio                              | 1...3 : 2000                         |   |

#### Accuracy – Dynamic performance data

|   |  | min.     | typ. | max.       | Unit            |
|---|--|----------|------|------------|-----------------|
| $I_{P,max}$                               | Max. measuring range   | $\pm 51$ |      |            | A               |
| X   | Accuracy @ $I_{PN}, \vartheta_A = 25^\circ C$                        |          |      | 0.7        | %               |
| $\epsilon_L$                              | Linearity  |          |      | 0.1        | %               |
| $V_{OUT}-V_{REF}$                         | Offset voltage @ $I_P = 0A, \vartheta_A = 25^\circ C$                |          |      | $\pm 2.21$ | mV              |
| $\Delta V_O / V_{REF} / \Delta \vartheta$ | Temperature drift of $V_{OUT}$ @ $I_P=0A, V_{REF}=2.5V, \vartheta_A$ |          | 2.3  | 20         | ppm/ $^\circ C$ |
| $t_r$                                     | Response time  |          | 0.3  |            | $\mu s$         |
| $t_{ra}$                                  | Reaction time at $di/dt = 100 A/\mu s$                               |          | 0.2  |            | $\mu s$         |
| f   | Frequency bandwidth  | DC...200 |      |            | kHz             |

#### General data

|               |                                     |      |    |      |            |
|---------------|-------------------------------------|------|----|------|------------|
| $\vartheta_A$ | Ambient operation temperature       | -40  |    | 85   | $^\circ C$ |
| $\vartheta_S$ | Ambient storage temperature         | -40  |    | 85   | $^\circ C$ |
| m             | Mass                                |      | 12 |      | g          |
| $V_C$         | Supply voltage                      | 4.75 | 5  | 5.25 | V          |
| $I_C$         | Supply current at $I_P = 0A$ and RT |      | 15 |      | mA         |

|                |   |     |  |      |            |
|----------------|---|-----|--|------|------------|
| $^1)S_{clear}$ | Clearance (component without solder pad)              | 7.4 |  |      | mm         |
| $^1)S_{creep}$ | Creepage (component without solder pad)               | 8.0 |  |      | mm         |
| $^1)U_{sys}$   | System voltage *overvoltage category 3                |     |  | 300  | $V_{RMS}$  |
| $^1)U_{AC}$    | Working voltage *acc. table 7, overvoltage category 2 |     |  | 650  | $V_{RMS}$  |
| $^1)U_{PD}$    | Rated discharge voltage                               |     |  | 1320 | $V_{PEAK}$ |
|                | According to UL 508: max. potential difference        |     |  | 600  | $V_{AC}$   |

<sup>1)</sup>Constructed and manufactured and tested in accordance with EN 61800-5-1:2003 (primary to secondary)  
Reinforced insulation, Insulation material group 1, Pollution degree 2

The current sensor passed the EMI susceptibility tests (vertical and horizontal, one direction) according to the standard 61000-4-3:2010 at 20V/m, 80%AM@1kHz over the frequency range of 80MHz to 1000MHz, level a) with <2% variation of the  $V_{out}$  during the stress.

| Date       | Name  | Issue | Amendment  |
|------------|-------|-------|--|
| 04.02.2022 | NSch. | 81    | Applicable documents changed on sheet 3. „The color of the plastic material... added. Minor change |

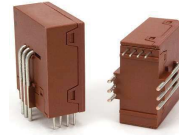
  

|                         |                     |                 |                     |
|-------------------------|---------------------|-----------------|---------------------|
| Hrg.: R&D-PD NPI editor | Bearb.: DJ designer | MC-PM: Su check | freig.: SB released |
|-------------------------|---------------------|-----------------|---------------------|

K-No.: 26810

### 15A Current Sensor

For the electronic measurement of currents:  
DC, AC, pulsed, mixed with a galvanic Isolation  
between the primary circuit (high power) and the  
secondary circuit (electronic circuit)



Date: 04.02.2022

Customer: Standard Type

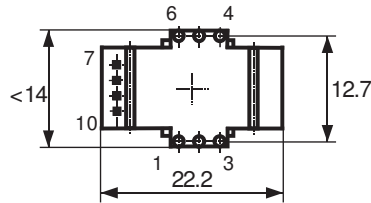
Customers Part no:

Page 2 of 3

#### Mechanical outline (mm):

General tolerances DIN ISO 2768-c

Connections:

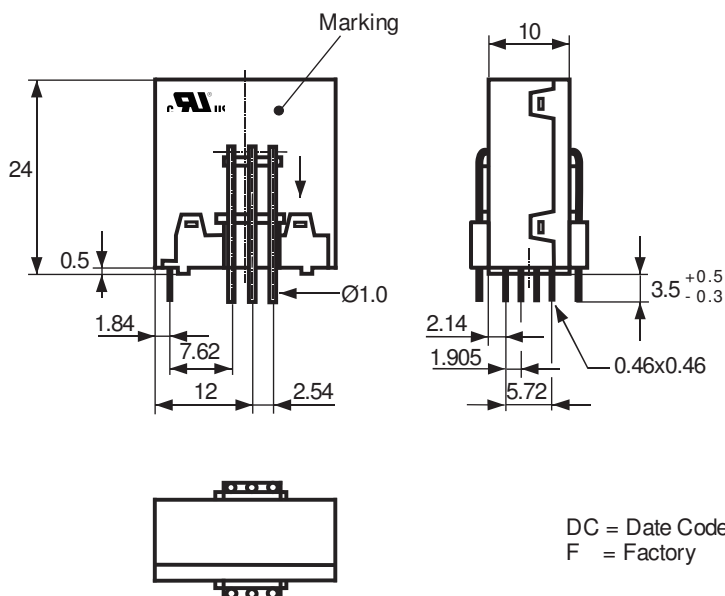


Tolerances grid distance  
 $\pm 0.2$  mm

Pin Nr. 1-6:  $\varnothing 1$ mm  
Pin Nr. 7-10: 0.46 x 0.46mm

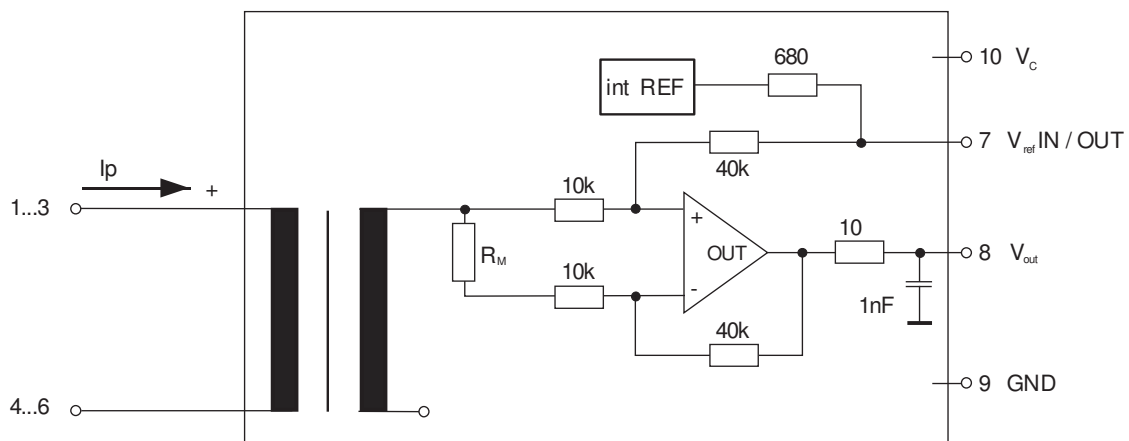
Marking:

**VAC**  
UL-sign 4647-X662  
F DC



DC = Date Code [Format YWW]  
F = Factory

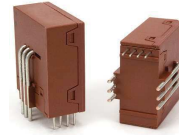
#### Schematic diagram:



K-No.: 26810

### 15A Current Sensor

For the electronic measurement of currents:  
DC, AC, pulsed, mixed with a galvanic Isolation  
between the primary circuit (high power) and the  
secondary circuit (electronic circuit)



Date: 04.02.2022

Customer: Standard Type

Customers Part no:

Page 3 of 3

#### Electrical data: (investigate by a type checking)

|  |  | min. | typ.                             | max. | Unit             |
|--|--|------|----------------------------------|------|------------------|
| $V_{C,tot}$                              | maximum supply voltage (without function)  |      |                                  | 7    | V                |
| $I_c$                                    | Supply Current with primary current  |      | $15mA + I_P * K_N + V_{OUT}/R_L$ |      | mA               |
| $I_{OUT,SC}$                             | Short circuit output current   |      | $\pm 20$                         |      | mA               |
| $R_P$                                    | Resistance per primary winding @ $\vartheta_A = 25^\circ C$                      |      | 1                                |      | m $\Omega$       |
| $R_S$                                    | Secondary coil resistance @ $\vartheta_A = 85^\circ C$                           |      |                                  | 67   | $\Omega$         |
| $R_{i,REF}$                              | Internal resistance of Reference output  |      | 680                              |      | $\Omega$         |
| $R_{i,Vout}$                             | Output resistance of $V_{OUT}$   |      | 10                               |      | $\Omega$         |
| $R_L$                                    | External recommended resistance of $V_{OUT}$                                     | 1    |                                  |      | k $\Omega$       |
| $C_L$                                    | External recommended capacitance of $V_{OUT}$                                    |      |                                  | 1    | nF               |
| $X_{Ti} / \Delta\vartheta$               | Temperature drift of X @ $\vartheta_A = -40^\circ C \dots 85^\circ C$            |      |                                  | 40   | ppm/K            |
| $\Delta V_O = \Delta(V_{OUT} - V_{REF})$ | Sum of any offset drift including:   |      | 3.5                              | 10   | mV               |
| $V_{Ot}$                                 | Long term drift of $V_O$   |      | 2                                |      | mV               |
| $V_{OT}$                                 | Temperature drift of $V_O$ @ $\vartheta_A = -40^\circ C \dots 85^\circ C$        |      | 2                                |      | mV               |
| $V_{OH}$                                 | Hysteresis of $V_{OUT}$ @ $I_P = 0A$ (caused by $I_P = 10 \times I_{PN}$ )       |      |                                  | 3    | mV               |
| $\Delta V_O / \Delta V_C$                | Supply voltage rejection ratio   |      |                                  | 1    | mV/V             |
| $v_{OSS}$                                | Offsetripple (with 1 MHz-Filter, first order)                                    |      |                                  | 30   | mV <sub>PP</sub> |
| $v_{OSS}$                                | Offsetripple (with 100 kHz-Filter, first order)                                  |      | 6                                | 10   | mV <sub>PP</sub> |
| $v_{OSS}$                                | Offsetripple (with 20 kHz-Filter, first order)                                   |      | 4                                | 7    | mV <sub>PP</sub> |
| $C_k$                                    | Maximum possible coupling capacity<br>(primary - secondary)                      |      | 5                                |      | pF               |
|  | Mechanical stress according to M3209/3<br>Settings: 10-2000Hz, 1min/oct, 2 hours |      |                                  | 30   | g                |

#### Routine-Tests: (Measurement after temperature balance of the samples at room temperature, SC=significant characteristic)

|                     |                   |  |                 |                   |
|---------------------|-------------------|--|-----------------|-------------------|
| $V_{OUT} (SC)$      | (100%) M3011/6:   | Output voltage                         | $625 \pm 0.7\%$ | mV                |
| $V_{OUT} - V_{REF}$ | (100%) M3226:     | Offset voltage                         | $\pm 2.21$      | mV                |
| $U_d$               | (100%) M3014:     | Test voltage, 1s                       | 1.5             | kV <sub>RMS</sub> |
| $U_{PDE}$           | (AQL 1/S4) M3024: | Partial discharge voltage (extinction) | 1.4             | kV <sub>RMS</sub> |
| $U_{PD} * 1.875$    |                   |  | 1.75            |                   |

#### Type-Tests: (Precondition acc. to M3236)

|                  |   |        |                   |
|------------------|---|--------|-------------------|
| $\hat{U}_W$      | HV transient test acc. to M3064 (1.2 $\mu$ s / 50 $\mu$ s-Waveform) | 6      | kV                |
| $U_d$            | Test voltage acc. to M3014  | (5s) 3 | kV <sub>RMS</sub> |
| $U_{PDE}$        | Partial discharge voltage (extinction)<br>acc. to M3024             | 1.4    | kV <sub>RMS</sub> |
| $U_{PD} * 1.875$ |   | 1.75   |                   |

#### Other instructions:

- Current direction: A positive output voltage vs.  $V_{REF}$  appears at point  $V_{OUT}$ , if primary current flows in direction of the arrow sign on Sensor package.
- Constructed, manufactured and tested in accordance with IEC 61800-5-1:2007
- Temperature of the primary conductor should not exceed 105°C.
- Housing and bobbin material UL-listed: Flammability class 94V-0.
- The color of the plastic material is not specified and the current sensor can be supplied in different colors (e.g. brown, black, white, natural). This has no effect on the specifications or UL approval

Hrg.: R&D-PD NPI  
editor

Bearb.: DJ  
designer

MC-PM: Su  
check

freig.: SB  
released