

## CTSLF1255TF Series From 6.0µH to 1500µH



### CHARACTERISTICS

- Description:** SMD (shielded) power inductor.
- Applications:** LCD-TVs, PDP-TVs, LCD displays, DVD recorders, HDDs, DSCs, etc.
- Operating Temperature:** -40°C to 125°C (including self - temp. rise)
- Inductance Tolerance:** M = ±20%, N = ±30%
- Testing:** Inductance is tested on a HP4284A at 1.0kHz, 0.5V
- Packaging:** Tape & Reel.
- Marking:** Parts are marked with inductance code.
- Miscellaneous:** **RoHS Compliant.**
- Additional Information:** Additional electrical & physical information available upon request.
- Samples available. See website for ordering information.**

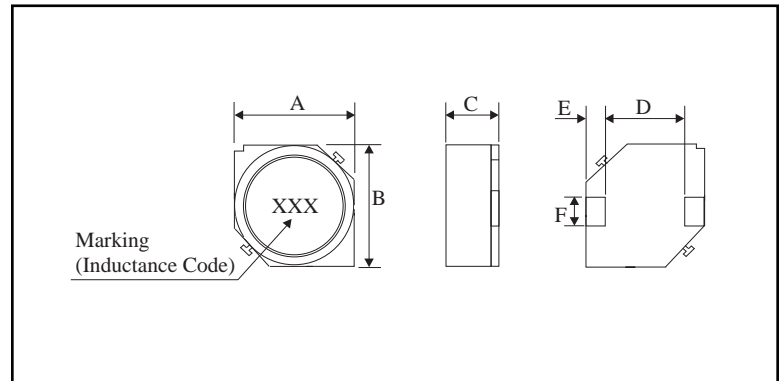
### SPECIFICATIONS

Please specify tolerance code when ordering.  
 CTSLF1255TF-6R0\_ ← N = ±30%, M = ±20%  
 \*Isat: Value obtained when DC current flows and the initial inductance has fallen by 10%  
 \*\*Irms: Value obtained when current flows and the temperature has risen to 30°C

Part Number	Inductance (µH)	L Test Freq. (kHz)	DCR ±20% (mΩ)	*Isat (A)	**Irms Max. (A)
CTSLF1255TF-6R0_	6.0	1.0	0.0164	3.6	4.9
CTSLF1255TF-100_	10	1.0	0.0215	3.4	4.3
CTSLF1255TF-150_	15	1.0	0.0259	2.8	3.9
CTSLF1255TF-220_	22	1.0	0.0338	2.3	3.4
CTSLF1255TF-330_	33	1.0	0.0415	1.9	3.1
CTSLF1255TF-470_	47	1.0	0.0618	1.6	2.5
CTSLF1255TF-680_	68	1.0	0.0832	1.3	2.2
CTSLF1255TF-101_	100	1.0	0.117	1.1	1.8
CTSLF1255TF-151_	150	1.0	0.19	0.88	1.4
CTSLF1255TF-221_	220	1.0	0.27	0.72	1.2
CTSLF1255TF-331_	330	1.0	0.41	0.59	1.0
CTSLF1255TF-471_	470	1.0	0.52	0.49	0.88
CTSLF1255TF-681_	680	1.0	0.76	0.43	0.73
CTSLF1255TF-102_	1000	1.0	1.12	0.34	0.60
CTSLF1255TF-152_	1500	1.0	1.73	0.29	0.48

### PHYSICAL DIMENSIONS

Size	A	B	C	D	E	F
				Typ.	Typ.	Typ.
mm	12.5 ± 0.3	12.5 ± 0.3	5.5 ± 0.3	8.6	2.0	3.0
inches	0.49 ± 0.01	0.49 ± 0.01	0.22 ± 0.01	0.34	0.08	0.12



### PAD LAYOUT

