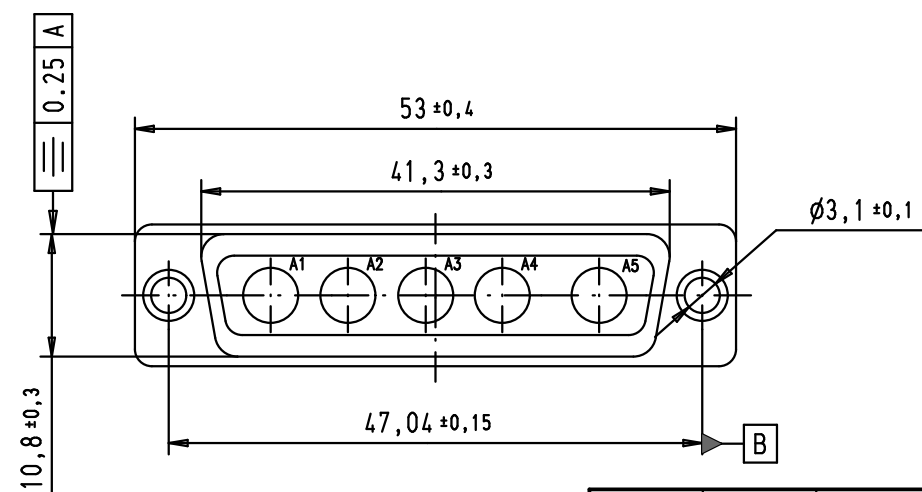
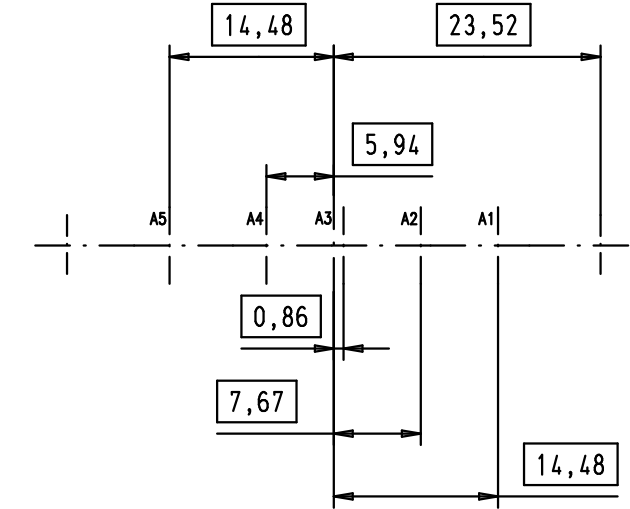
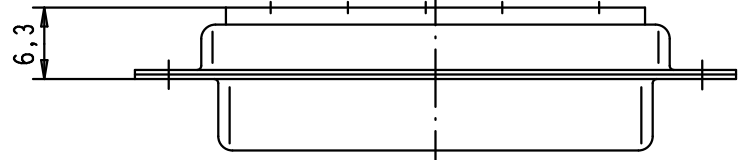


PCB layout hole, component side



A

09 69 300 0055.500	Non magnetic
09 69 300 0055	
Part number	

EC01706	21/04/10	SC	
32119	23/06/04	AC	
31519	03/07/03	TCP	
29742	12/11/01	AF	
Mod.	Dot.	Name	

	Detail.	12/11/01	Name	AF
	Insp.			
	Stand.			
HARTING EURL F-95972 Paris				




D-Sub, female, 5W5 without contacts, with tin plated shell
TB 09 69 300 0055
Sub.

Maßstab/ Scale	1,5:1
Blatt/ Page	1/1