

1

2

3

4

5

6

7

A

B

C

D

E

F

G

H

A

B

C

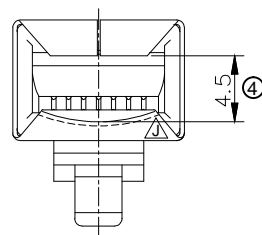
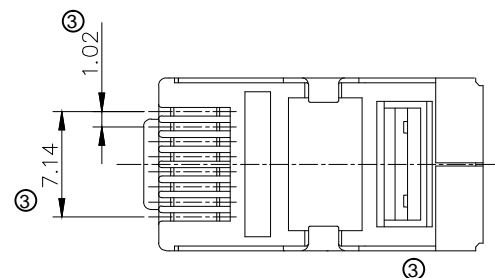
D

E

F

G

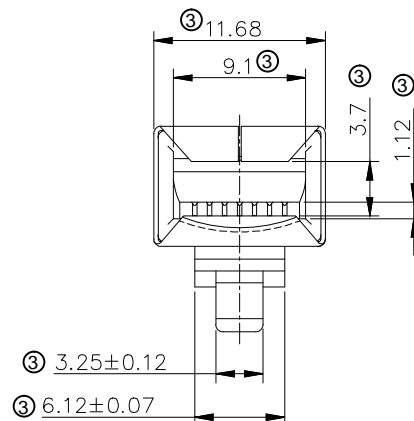
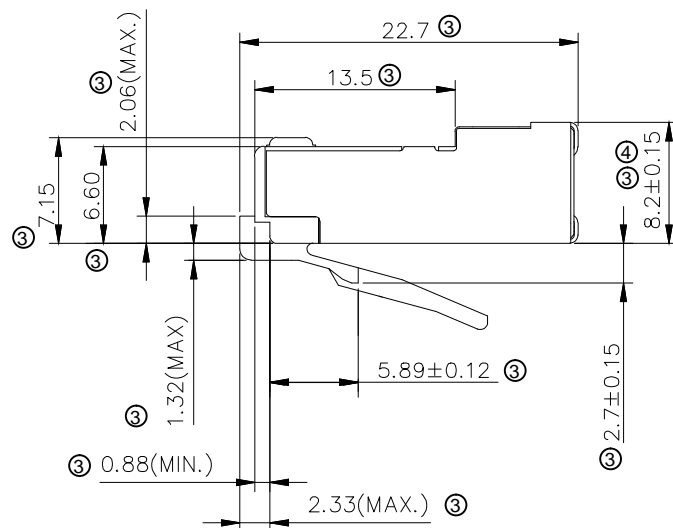
H



FOR ROUND&FLAT CABLE (4)

NOTES:

- (3) 1. Material:
 1.1 Housing: Poly Carbonate(PC) UL94V-0;
 1.2 Contact: Phosphor Bronze with 2 prongs;
 1.3 Plating: 6u" gold plated, 30u"-80u" Nickel under plated;
 1.4 Shell: Brass C2680 H with 30u"-80u" Nickel plated;
 2. Operation Temperature: -40°C TO +85°C;
 3. Electrical Characteristics:
 3.1 Rated Current: 125V AC, 1.5A@25°C;
 3.2 Contact Resistance: 20mΩ Max;
 3.3 Insulation Resistance: 500MΩ Min, 100V DC/Min;
 3.4 Voltage Proof: 1000V AC/1 minute no breakdown;
 4. Mechanical Characteristics:
 4.1 Insertion Force & Withdrawal Force: 30N Max;
 4.2 Durability: 750 cycles Min;
 5. Complies with FCC68/F
 Wire gauge: 23AWG-26AWG Stranded wire;
 Wire size: 0.95±0.05mm.



RoHS compliant

Unit:mm

Scale Free

TOLERANCE

X.X ±0.20

X.XX ±0.15

X.XXX ±0.10

DIM TOL

Angle ±5°

Angle TOL

Id.

Update the shape of hole

25.07.2022

Luca

Drawn

Date

Name

Description: Modular Connector

RJ45/plug/8p8c/shielding

Change the plant

11.11.2021

Luca

Approved

11.11.2021

Luca

ASSMANN WSW-No.

A-MO 8/8-SFS

Update the dimensions and spec

09.06.2020

Segal

Add cable wire size information

03.04.2019

Amy

Drawn

05.05.2016

Amy

Drawing-No.

ASS 7231 CO

rev04

Customer-No.

SHEET

1

2

3

4

5

6

7