

## SUMMARY

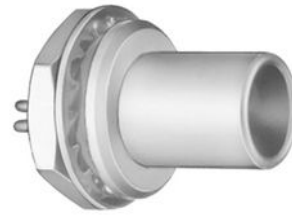


Image is for illustrative purpose only

### # Wires

Triax 1

Series	2S
Termination type	Male solder
IP rating	50
AWG wire size	0.00 - 0.00
Cable Ø	0.00 - 0.00 mm
Status	active
Matching parts	<a href="#">PCA.2S.650.CTLC52</a>

### Download

[Request a quote](#)

[Catalog](#)

## TECHNICAL DETAILS

### Mechanics

Shell Style/Model	FAA*: Fixed plug, non-latching, nut fixing
Keying	Circular, male
Housing Material	Brass (chrome plated [SAE AMS 2460]) shell and collet nut, nickel plated [SAE AMS QQ N 290] brass latch sleeve and mid pieces
Weight	18.12 g

### Performance

Configuration	2S.650 : 1 Triax (50 Ohm)
Insulator	T: PTFE
Rated Current	12 Amps

### Specifications

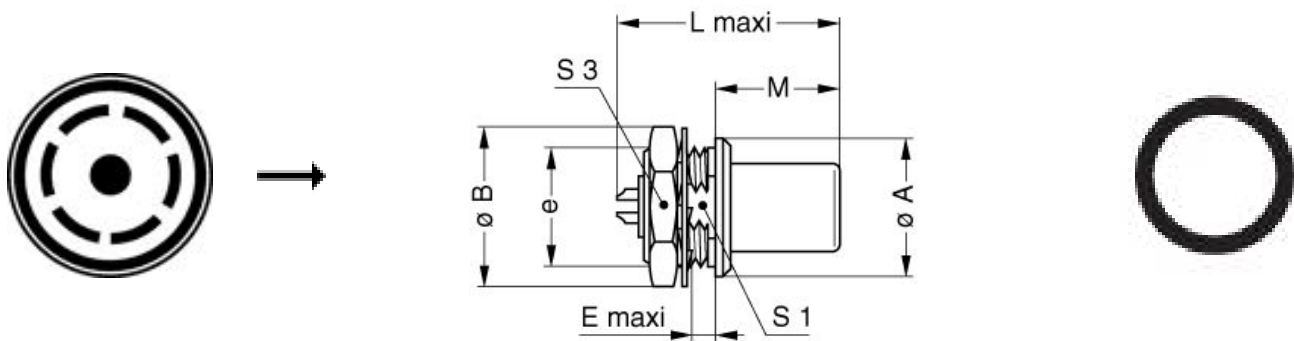
Contact Type: Triaxial 50 Ohm (Solder)  
Contact Dia.: 1.6 mm (0.063in)  
Vtest: 1200 V (AC), 1700 V (DC)  
Impedance: 50 Ohm  
VSWR: 1.01 + 0.3 \* f/GHz  
Cable type: RGT 174,Belden 9222,8215,8232A,HF-2426,Triax 8 Nokia,375 029 LEDE

### Others

LEMO products and services are provided "as is". LEMO makes no warranties or representations with regard to LEMO product & services or use of them, express, implied or statutory, including for accuracy, completeness, or security. The user is fully responsible for his products and applications using LEMO components.

Endurance (Shell): 5000 mating cycles  
 Temp (min / max): -55°C / +250°C  
 Humidity (max): <=95% [at 60 deg C / 140 F]  
 Vibration: 15 g [10 Hz - 2000 Hz]  
 Shock Resistance: 100 g [ 6 ms]  
 Climatical Category: 50/175/21  
 Shielding (min): 75 dB (10 MHz)  
 Shielding (min): 40 dB (1 GHz)  
 Salt Spray Corrosion: >144 hr

## DRAWINGS



### Dimensions

	A	A	B	E	L	M	S1	S3	e
mm.	18	18	19.5	4	25	13.8	13.5	17	M15x1.0
in.	0,71	0,71	0,77	0,16	0,98	0,54	0,53	0,67	

## RECOMMENDED BY LEMO

### Tools

LEMO products and services are provided "as is". LEMO makes no warranties or representations with regard to LEMO product & services or use of them, express, implied or statutory, including for accuracy, completeness, or security. The user is fully responsible for his products and applications using LEMO components.

*LEMO products and services are provided "as is". LEMO makes no warranties or representations with regard to LEMO product & services or use of them, express, implied or statutory, including for accuracy, completeness, or security. The user is fully responsible for his products and applications using LEMO components.*