

# GN 337

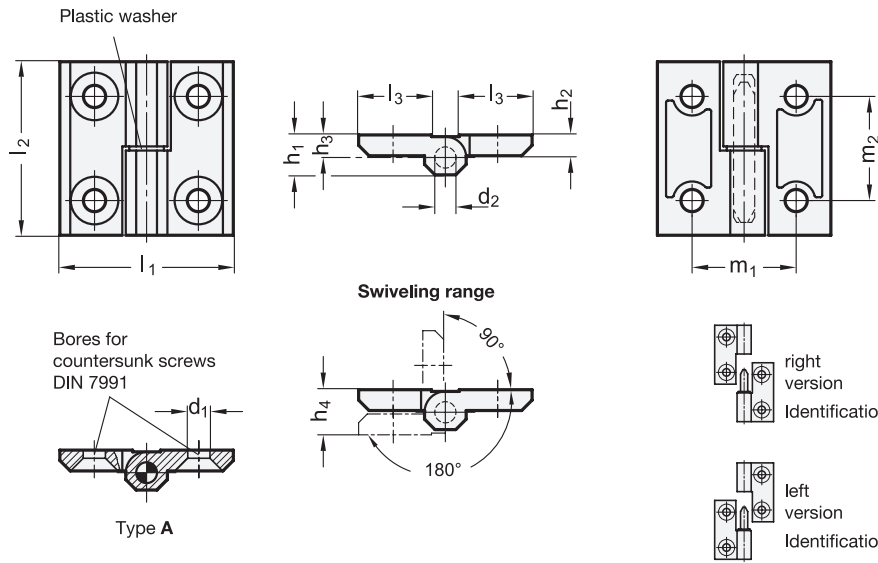
Zinc Die-Cast / Stainless Steel

## Lift-Off Hinges

with Countersunk Bores



**JWWINCO®**  
A Ganter Company



SS Stainless Steel

### 4 Type

A 2x2 bores for countersunk screws

### 5 Identification no.

- 1 Fixed bearing (pin) right
- 2 Fixed bearing (pin) left

## Metric table

Dimensions in: millimeters - inches

<sup>2</sup> l <sub>1</sub>	<sup>3</sup> l <sub>2</sub>	d <sub>1</sub>	d <sub>2</sub>	h <sub>1</sub>	h <sub>2</sub>	h <sub>3</sub>	h <sub>4</sub> +0.5	l <sub>3</sub>	m <sub>1</sub>	m <sub>2</sub>
40 1.57	40 1.57	5.3 0.21	4 0.16	9 0.35	5 0.20	5.5 0.22	11 0.43	16 0.63	25 0.98	25 0.98
50 1.97	50 1.97	6.4 0.25	6 0.24	11.5 0.45	6 0.24	6.5 0.26	13 0.51	21 0.83	30 1.18	30 1.18
60 2.36	60 2.36	8.3 0.33	8 0.31	15 0.59	8 0.31	8.5 0.33	17 0.67	26 1.02	36 1.42	36 1.42

## Specification

- Body  
Zinc die-cast **ZD**  
Powder coated  
Black, RAL 9005, textured finish **SW**  
Silver, RAL 9006, textured finish **SR**
- Stainless steel AISI CF-8 **NI**  
Matte shot-blasted finish **GS**
- Pin  
Stainless steel AISI 303
- Load Rating Information → page 2088
- Stainless Steel Characteristics → page 2143
- RoHS compliant

## Information

- GN 337 lift-off hinges are a variation of GN 237 hinges, which are designed so the two sides of the hinge can be easily detached from one another.
- see also...
- List of Hinge Types → page 1324
  - Hinges GN 237 (Non Lift-Off) → page 1330
  - Spacer Plates GN 2370 (Stainless Steel) → page 1380
  - Spacer Plates with Tapped Holes GN 2372 (Stainless Steel) → page 1381
  - Limit Stops GN 2374 → page 1336

### How to order

<sup>1</sup> <sup>2</sup> <sup>3</sup> <sup>4</sup> <sup>5</sup> <sup>6</sup>  
**GN 337-ZD-40-40-A-1-SR**

1	Material
2	Width l <sub>1</sub>
3	Length l <sub>2</sub>
4	Type
5	Identification no.
6	Finish

3.1  
3.2  
3.3  
3.4  
3.5  
3.6  
3.7  
3.8  
3.9  
3.10

