



AR3

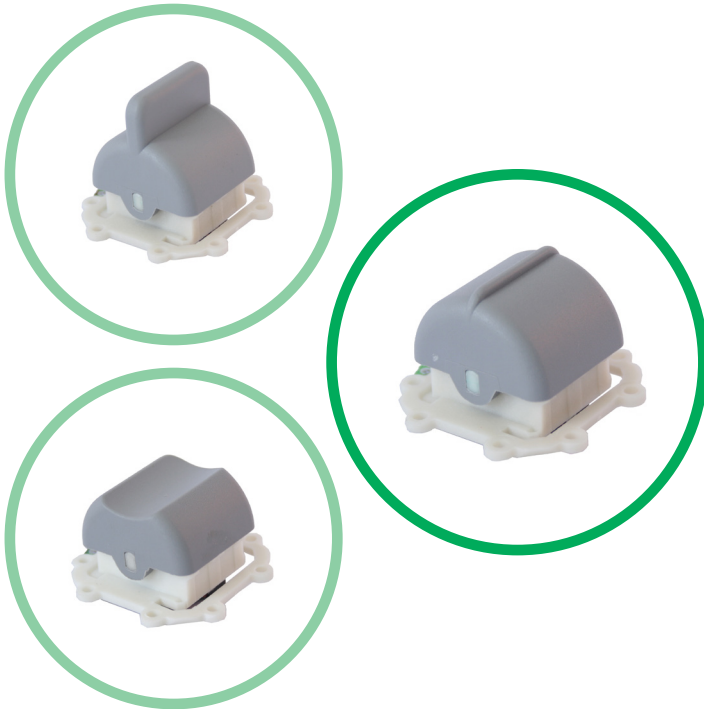
Analog Rocker

Introduction

The AR3 Analog Rockers have been developed to provide the reliability required in demanding environmental conditions such as multifunction grips, dashboards or armrest controls for heavy duty industrial applications.

The unique sensing design makes the rocker module an ideal proportional function solution for off-road machinery.

The Analog Rockers have been designed to be integrated into standard and custom designed grips, panels and electronic controls.



Main Features

- Contactless sensing – Hall effect
- Life greater than 2 million cycles
- One sensor – optional second sensor for redundancy
- Integrated temperature compensation
- Short circuit protection

Custom Modifications

- Output characteristics
- Actuator colour

SPECIFICATIONS

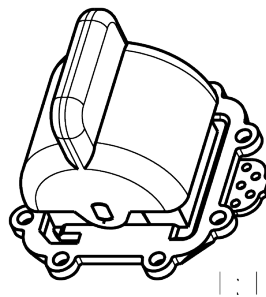
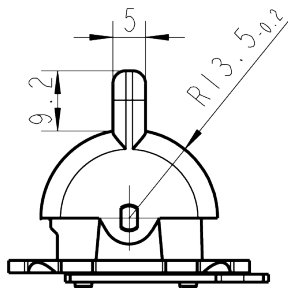
Electrical

Supply Ratings	Voltage range DC current	8.5V ... 30V or 5.0 V ± 10% 50 mA at 24V
Voltage Output	Output 1 Output 2 ^(A)	0.5V ... 4.5V 4.5V ... 0.5V
Pull-down resistor	Recommendation	4.7 kΩ
Total error		< 10%
Output current		max. 1 mA
Other electrical Characteristics	EMI	> 100 V/m

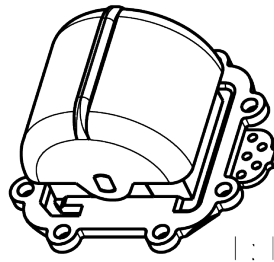
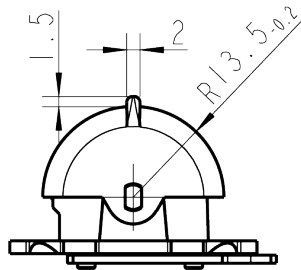
Mechanical

Life	> 2 million cycles
Operating temperature - Storage - Working	- 40°C to 85°C - 35°C to 70°C
Operating force	4-6 N
Vertical load maximum	30 N
Protection Level	IP 65 (from above when mounted)
Rocker deflection angle	± 30°

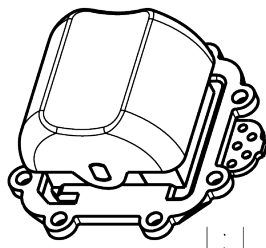
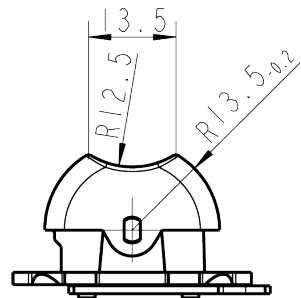
DIMENSIONS



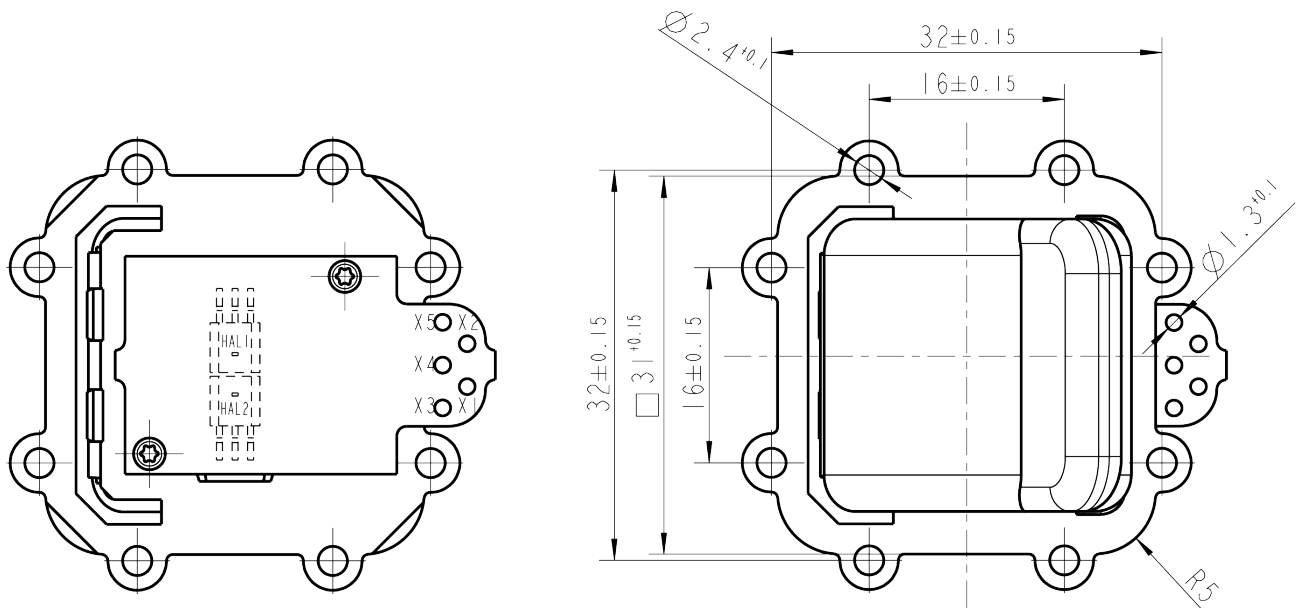
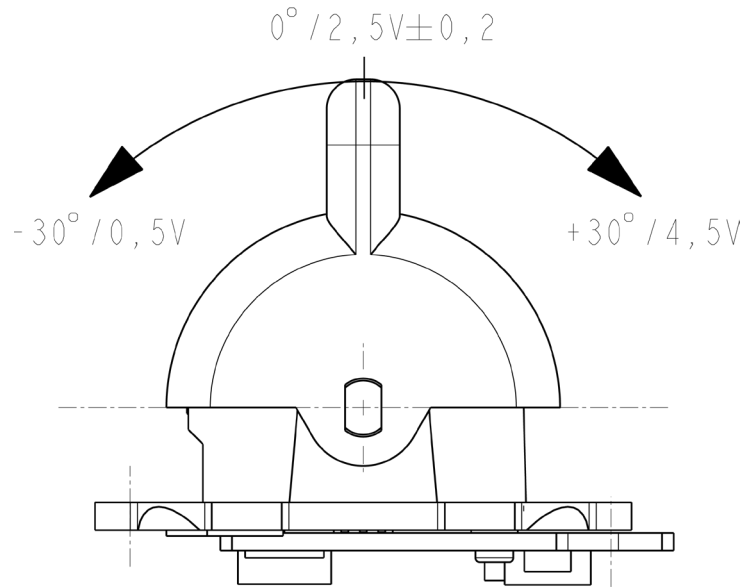
Module actuator shape 01



Module actuator shape 02



Module actuator shape 05



Pin Assignment:

PIN	ALLOCATION	FUNCTION (8.5-30V)	FUNCTION (5V)
X5	OUT 1	OUTPUT 1 (HAL1)	OUTPUT 1 (HAL1)
X4	OUT 2	OUTPUT 2 (HAL2) ^(A)	OUTPUT 2 (HAL2) ^(A)
X3	V	RESERVED	5V ± 10%
X2	GND _{IN1}	REFERENCE GROUND	REFERENCE GROUND
X1	U _{BAT}	VOLTAGE SUPPLY 8.5-30V	NOT CONNECTED



ORDERING OPTIONS

Example : AR3S-01-GY-30/30-4N-0-V-2-00

Family	AR3S	01	GY	30/30	4N	0	V	2	00
AR3: analog rocker 3 S: varnished PCB N: non varnished PCB									
Actuator Shape		01							
01: long lever 02: short lever 05: thumb lever									
Actuator Colour			GY						
GY: grey									
Actuator Angle				30/30					
30/30: left 30° / right 30°									
Operation Force					4N				
4N: lever shape 01 5N: lever shape 02 6N: lever shape 05									
Electrical Supply						0			
0: voltage 8,5 ... 30 V 1: 5V ± 10%									
Output							V		
V: voltage									
Sensors								2	
1: 1 sensor 2: 2 sensors (for redundancy)									
Output Voltage Code (B)									00
00: output 1 / 0.5V ... 4.5V; 1mA output 2 / 4.5V ... 0.5V; 1mA 02: output 1 / 0.5V ... 4.5V; 1mA 03: output 1 / 4.5V ... 0.5V; 1mA									



GENERAL NOTES

- (A) **for redundant version**
- (B) **ratiometric to 5V elec. supply**

Sensata Technologies, Inc. ("Sensata") data sheets are solely intended to assist designers ("Buyers") who are developing systems that incorporate Sensata products (also referred to herein as "components"). Buyer understands and agrees that Buyer remains responsible for using its independent analysis, evaluation and judgment in designing Buyer's systems and products. Sensata data sheets have been created using standard laboratory conditions and engineering practices. Sensata has not conducted any testing other than that specifically described in the published documentation for a particular data sheet. Sensata may make corrections, enhancements, improvements and other changes to its data sheets or components without notice.

Buyers are authorized to use Sensata data sheets with the Sensata component(s) identified in each particular data sheet. HOWEVER, NO OTHER LICENSE, EXPRESS OR IMPLIED, BY ESTOPPEL OR OTHERWISE TO ANY OTHER SENSATA INTELLECTUAL PROPERTY RIGHT, AND NO LICENSE TO ANY THIRD PARTY TECHNOLOGY OR INTELLECTUAL PROPERTY RIGHT, IS GRANTED HEREIN. SENSATA DATA SHEETS ARE PROVIDED "AS IS". SENSATA MAKES NO WARRANTIES OR REPRESENTATIONS WITH REGARD TO THE DATA SHEETS OR USE OF THE DATA SHEETS, EXPRESS, IMPLIED OR STATUTORY, INCLUDING ACCURACY OR COMPLETENESS. SENSATA DISCLAIMS ANY WARRANTY OF TITLE AND ANY IMPLIED WARRANTIES OF MERCHANTABILITY, FITNESS FOR A PARTICULAR PURPOSE, QUIET ENJOYMENT, QUIET POSSESSION, AND NON-INFRINGEMENT OF ANY THIRD PARTY INTELLECTUAL PROPERTY RIGHTS WITH REGARD TO SENSATA DATA SHEETS OR USE THEREOF.

All products are sold subject to Sensata's terms and conditions of sale supplied at www.sensata.com SENSATA ASSUMES NO LIABILITY FOR APPLICATIONS ASSISTANCE OR THE DESIGN OF BUYERS' PRODUCTS. BUYER ACKNOWLEDGES AND AGREES THAT IT IS SOLELY RESPONSIBLE FOR COMPLIANCE WITH ALL LEGAL, REGULATORY AND SAFETY-RELATED REQUIREMENTS CONCERNING ITS PRODUCTS, AND ANY USE OF SENSATA COMPONENTS IN ITS APPLICATIONS, NOTWITHSTANDING ANY APPLICATIONS-RELATED INFORMATION OR SUPPORT THAT MAY BE PROVIDED BY SENSATA.

Mailing Address: Sensata Technologies, Inc., 529 Pleasant Street, Attleboro, MA 02703, USA.

CONTACT US

INDUSTRIAL SOLUTIONS DIVISION

Americas
+1 (800) 350 2727
sensors.deltatech@sensata.com
Europe, Middle East & Africa
+359 (2) 809 1826
ost-info.eu@sensata.com
Asia Pacific
sales.isasia@list.sensata.com
China +86 (21) 2306 1500
Japan +81 (45) 277 7117
Korea +82 (31) 601 2004
India +91 (80) 67920890
Rest of Asia +886 (2) 27602006
ext 2808

HEAVY VEHICLE & OFF-ROAD DIVISION

Americas
+1 508 236 2196
products@sensata.com
Europe, Middle East & Africa
+49 30 43 999 0
products@sensata.com
Asia Pacific
products@sensata.com
China +86 (21) 2306 1500
Japan +81 (45) 277 7001
Korea +82 (31) 601 2004