

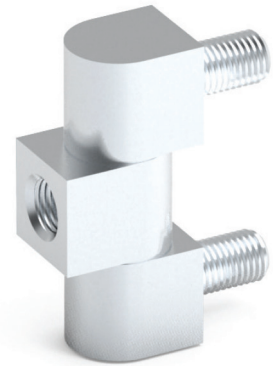


893

SIDE HINGE



LH/RH



- For medium voltage and heavy door panels
- Assembled using special screws (supplied)
- Parts supplied separately

APPLICATIONS

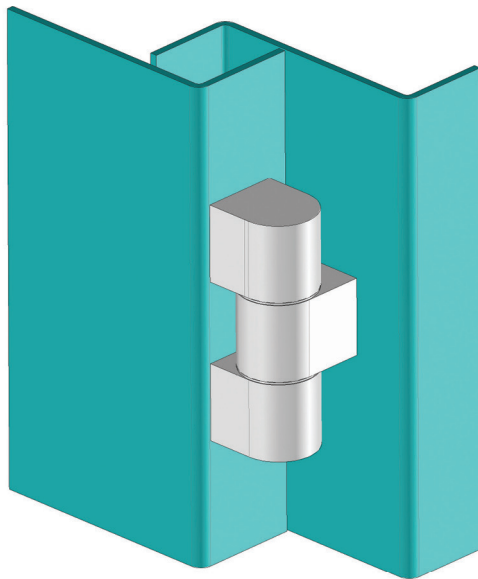
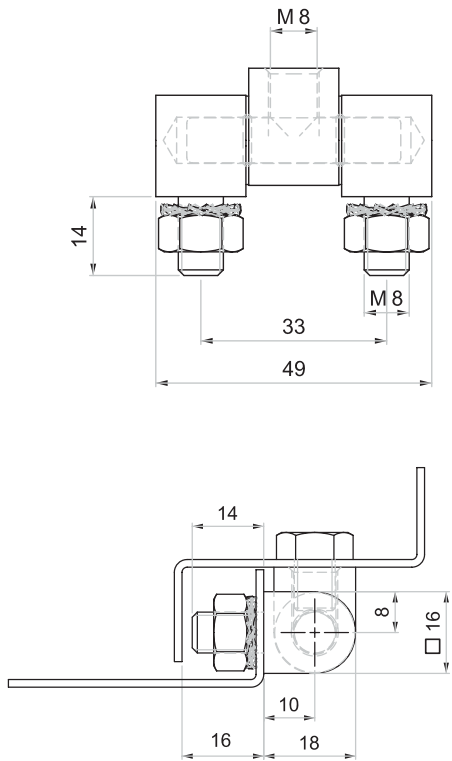
Electric panels, machinery covers

MATERIAL

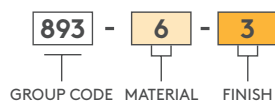
C45 Steel

FINISH

Zinc plated

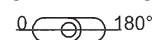


PRODUCT CODE



MATERIAL	M	FINISH	F
Steel	6	Zinc plated	3

Hinge Rotation Angle



⚠ Note: Nuts and washers are not supplied.