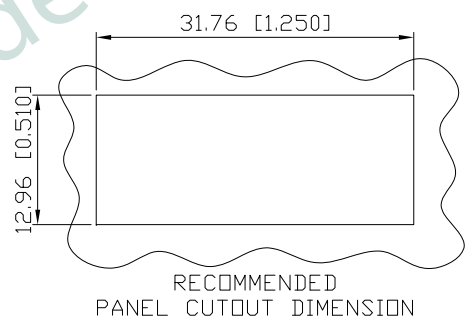
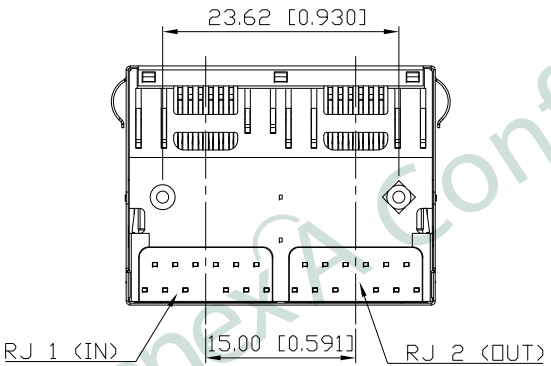
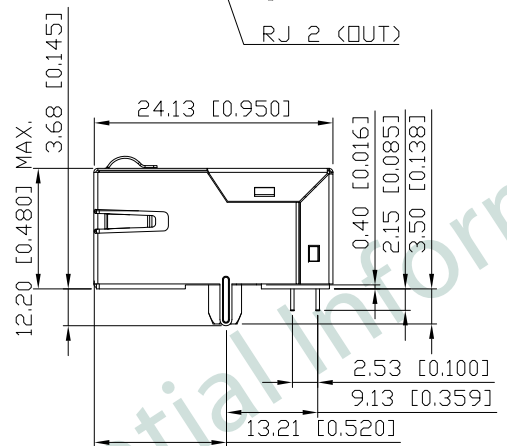
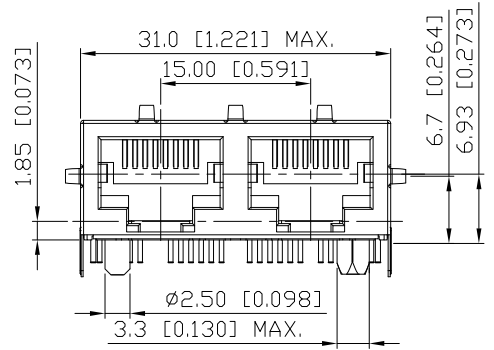
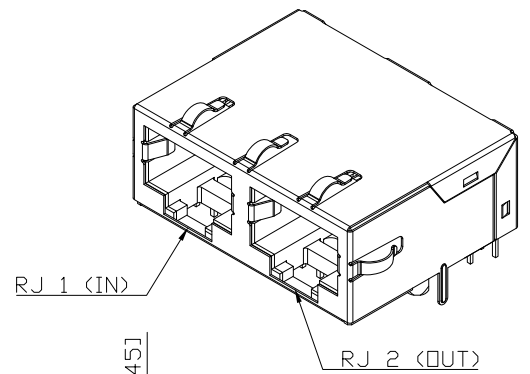
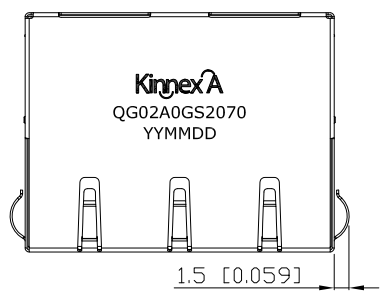


1. MECHANICAL DIMENSIONS :

REV.	DATE	DESCRIPTION
01	Dec. 04, '20	1st RELEASE

A
B
C
D
E
F

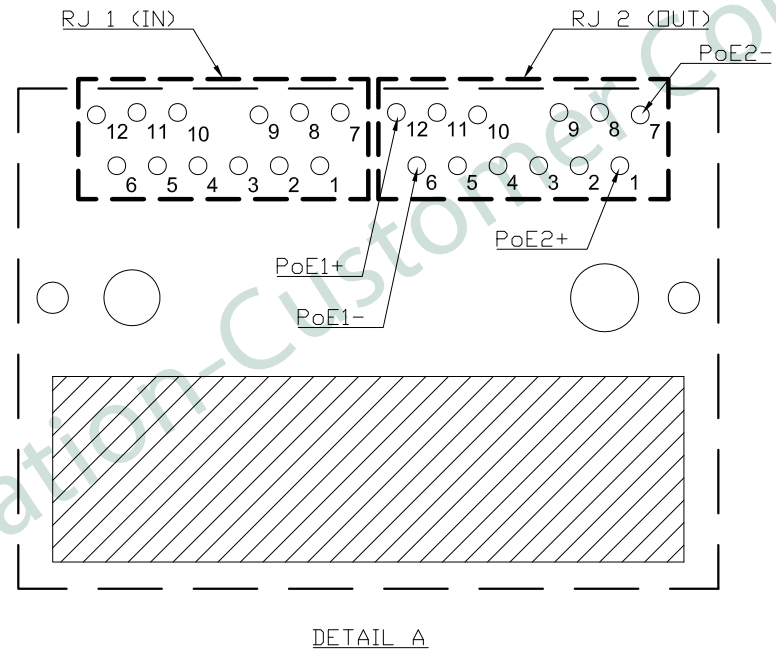
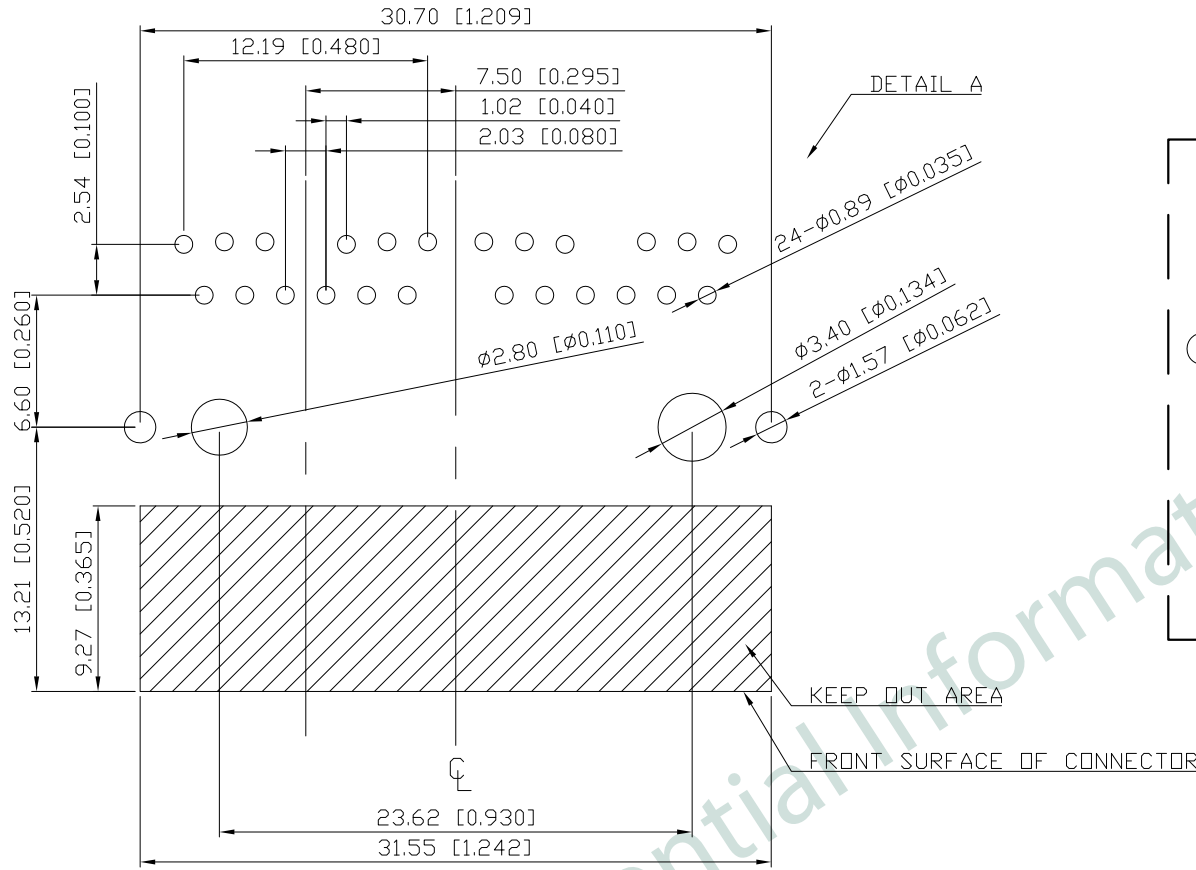


- NOTES:
- MATERIAL:
HOUSING: HIGH THERMOPLASTIC, UL94V-0, BLACK
CONTACTS: T=0.30mm PHOS-BRONZE,
30u" GOLD PLATING ON CONTACT AREA,
NICKEL UNDERPLATING ON ALL AREA
SOLDER PIN: T=0.30*0.40mm COPPER, NICKEL PLATING,
TIN PLATING ON ALL AREA
SHIELD: T=0.20mm COPPER ALLOY, NICKEL PLATING
 - OPERATING TEMPERATURE: -40°C~+85°C
 - MATING FORCE: 4 POUNDS MAX.
UNMATING FORCE: 4 POUNDS MAX
 - DURABILITY: 750 MATING CYCLED MIN.
 - CAVITY CONFORMS TO FCC RULES AND REGULATIONS PART 68,
SUBPART F.
 - UNSPECIFIED TOLERANCE: .XX ±0.25[0.010]
.X ±0.30[0.012]

PART NO		KQG-02A-0-GS2-070-XXX		
TITLE	RJ45 1X2, W/10G TRANSFORMER AND PoE+, W/D LED, SHIELDED			
REV : 01				
UNIT	DRAWN	CHKD	DATE	SHEET
mm[inch]	CINDY	VINCENT	Dec. 04, '20	1 of 5

ROHS Compliant

2. PCB LAYOUT :



SUGGESTED PCB LAYOUT
(TOP VIEW) SCALE:2:1
DIMENSIONAL TOLERANCE: .XX ±0.08[0.003]

KQG-02A-0-GS2-070-XXX

PRODUCT SERIES
KQG: LATCH DOWN, PoE+ TYPE

MECHANICAL TYPE
02A: 2 PORT FOR KQG,
HEIGHT=12.20mm, LENGTH=24.13mm,
STRAIGHT PINS, PIN=3.30mm

LED COLOR OPTION

CIRCUIT TYPE

SPECIAL CODE
0: STANDARD

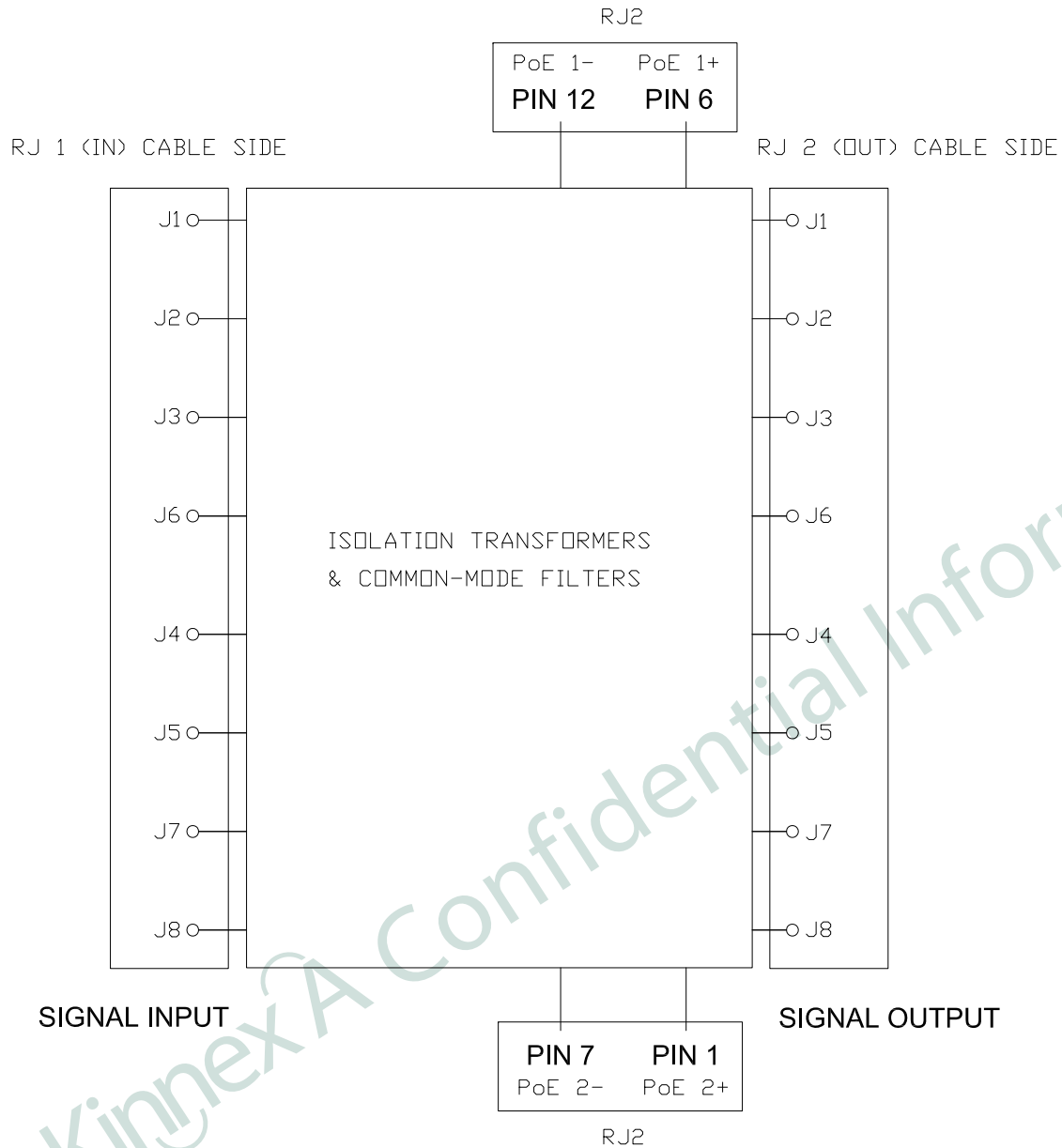
SHIELDED TYPE
7: EMI FINGER ON ALL SIDE

LED POLARITY
0: W/O LED

CUSTOMER CODE

PART NO		KQG-02A-0-GS2-070-XXX		
TITLE	RJ45 1X2, W/10G TRANSFORMER AND PoE+, W/O LED, SHIELDED			
REV : 01				
UNIT	DRAWN	CHKD	DATE	SHEET
mm[inch]	CINDY	VINCENT	Dec. 04, '20	2 of 5

3. SCHEMATIC :



4. ELECTRICAL CHARACTERISTICS :

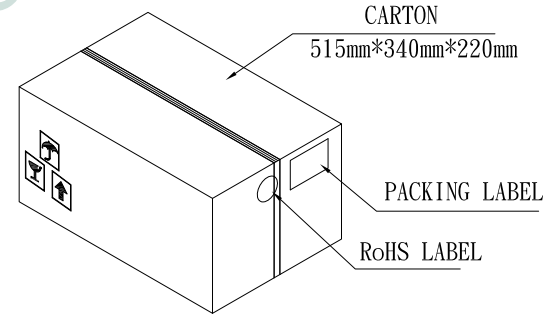
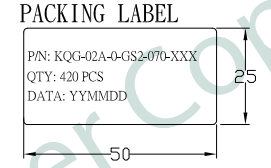
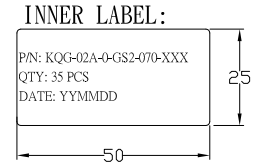
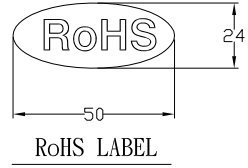
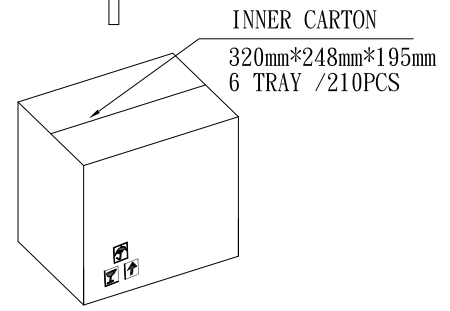
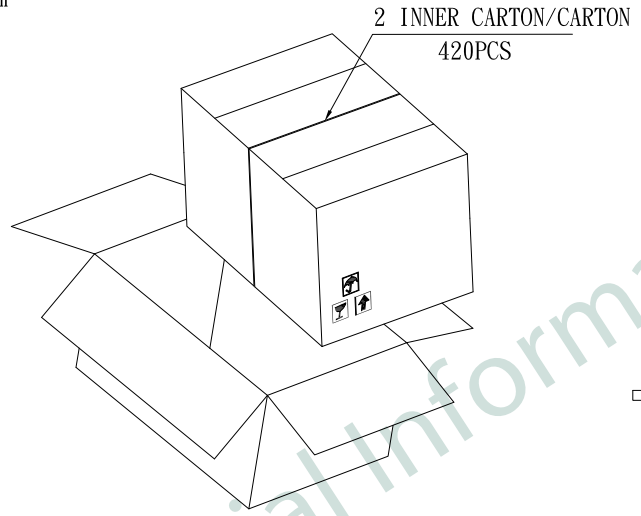
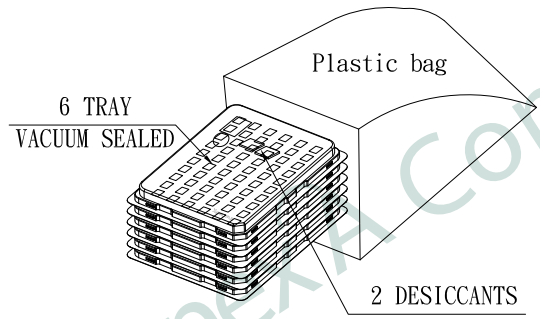
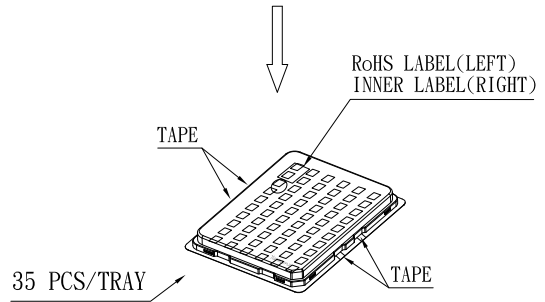
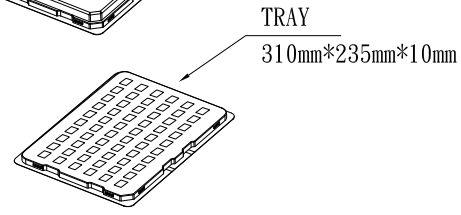
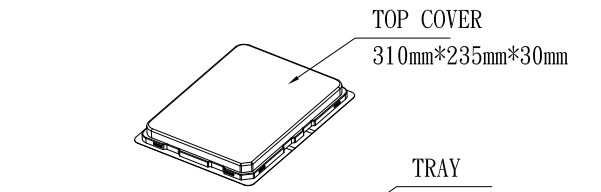
TEST NOTES:(25°±5°C)

1. TR:
INPUT TO OUTPUT=1:1±3%
2. OCL: (100KHz, 100mV, 8mA, DC Bias)
120uH MINIMUM
3. DCR:
EVERY RJ PAIR=1.2 Ω MAXIMUM
4. INSERTION LOSS:
-0.6dB MAXIMUM AT 1MHz TO 100MHz
-1.0dB MAXIMUM AT 100MHz TO 200MHz
-1.5dB MAXIMUM AT 200MHz TO 300MHz
-2.0dB MAXIMUM AT 300MHz TO 400MHz
5. RETURN LOSS:
-20dB MINIMUM AT 1MHz TO 100MHz
-17dB MINIMUM AT 100MHz TO 200MHz
-14dB MINIMUM AT 200MHz TO 300MHz
-13dB MINIMUM AT 300MHz TO 400MHz
-12dB MINIMUM AT 400MHz TO 500MHz
6. CROSS TALK:
-25dB MINIMUM AT 1MHz TO 500MHz
7. CM TO CM REJECTION:
-22dB MINIMUM AT 1MHz TO 100MHz
-21dB MINIMUM AT 100MHz TO 300MHz
-20dB MINIMUM AT 300MHz TO 800MHz
8. HIPOT:
INPUT(RJ SIDE) TO SHIELDING:
2250 VDC/60SEC
9. WORKING CURRENT FOR PoE+: 720mA DC MAX.

PART NO KQG-02A-0-GS2-070-XXX				
TITLE	RJ45 1X2, W/10G TRANSFORMER AND PoE+, W/O LED, SHIELDED			
REV : 01				
UNIT	DRAWN	CHKD	DATE	SHEET
mm[inch]	CINDY	VINCENT	Dec. 04, '20	3 of 5

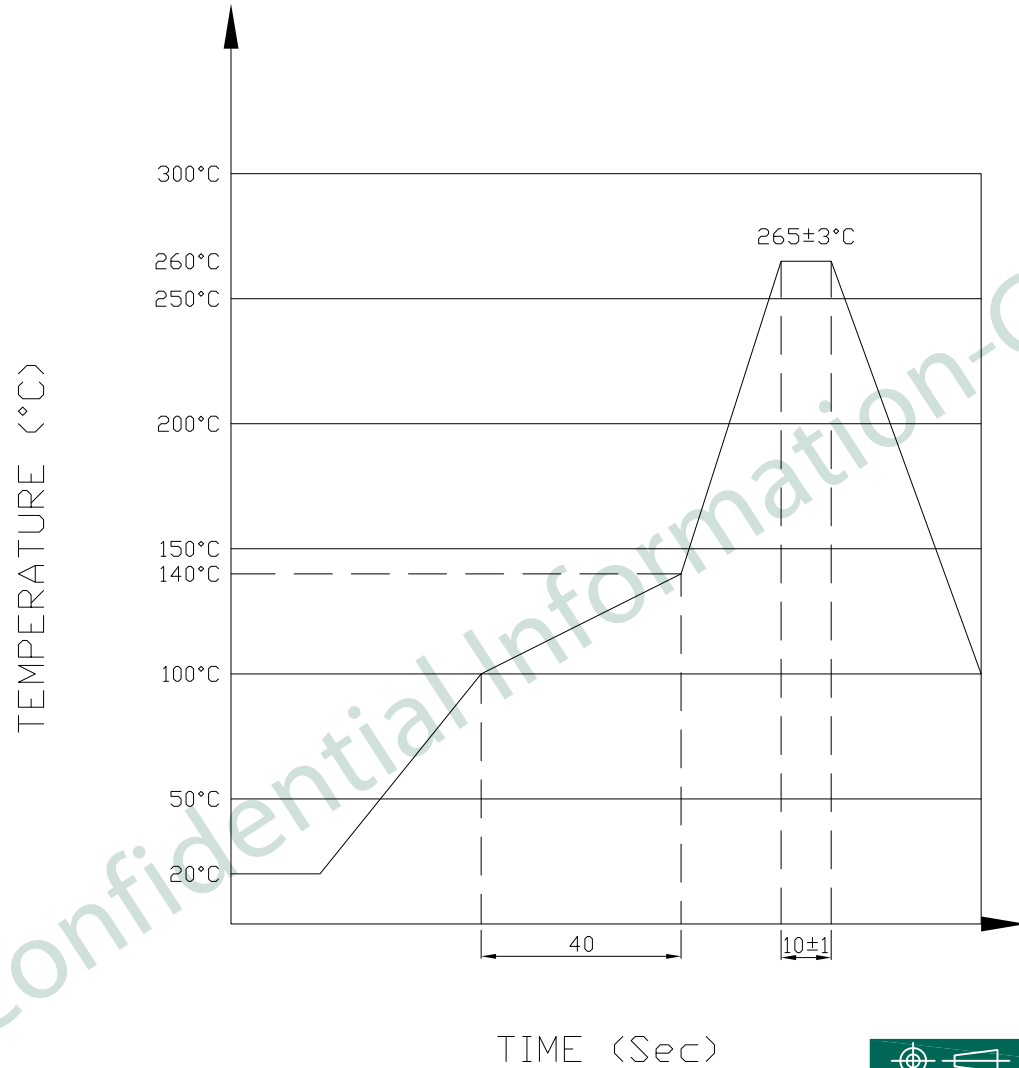
5. PACKING SPECIFICATION:

A
B
C
D
E
F



PART NO		KQG-02A-0-GS2-070-XXX		
TITLE	RJ45 1X2, W/10G TRANSFORMER AND PoE+, W/D LED, SHIELDED			
REV : 01				
UNIT	DRAWN	CHKD	DATE	SHEET
mm[inch]	CINDY	VINCENT	Dec. 04, '20	4 of 5

6. PROFILE OF WAVE SOLDER :



The measuring point for the specified temperature shall be on the soldered part of the lead

PART NO KQG-02A-0-GS2-070-XXX				
TITLE	RJ45 1X2, W/10G TRANSFORMER AND PoE+, W/O LED, SHIELDED			
REV : 01				
UNIT	DRAWN	CHKD	DATE	SHEET
mm[inch]	CINDY	VINCENT	Dec. 04, '20	5 of 5